

Pinguer-James Consulting Engineers

10 Beulah Road, Wimbledon London SW19 3SS
Phone : 0208 940 4159
Email : Mds@pjce.com

Sheet No : 3073 SK02
Date : 06.02.2018
BY : TGF

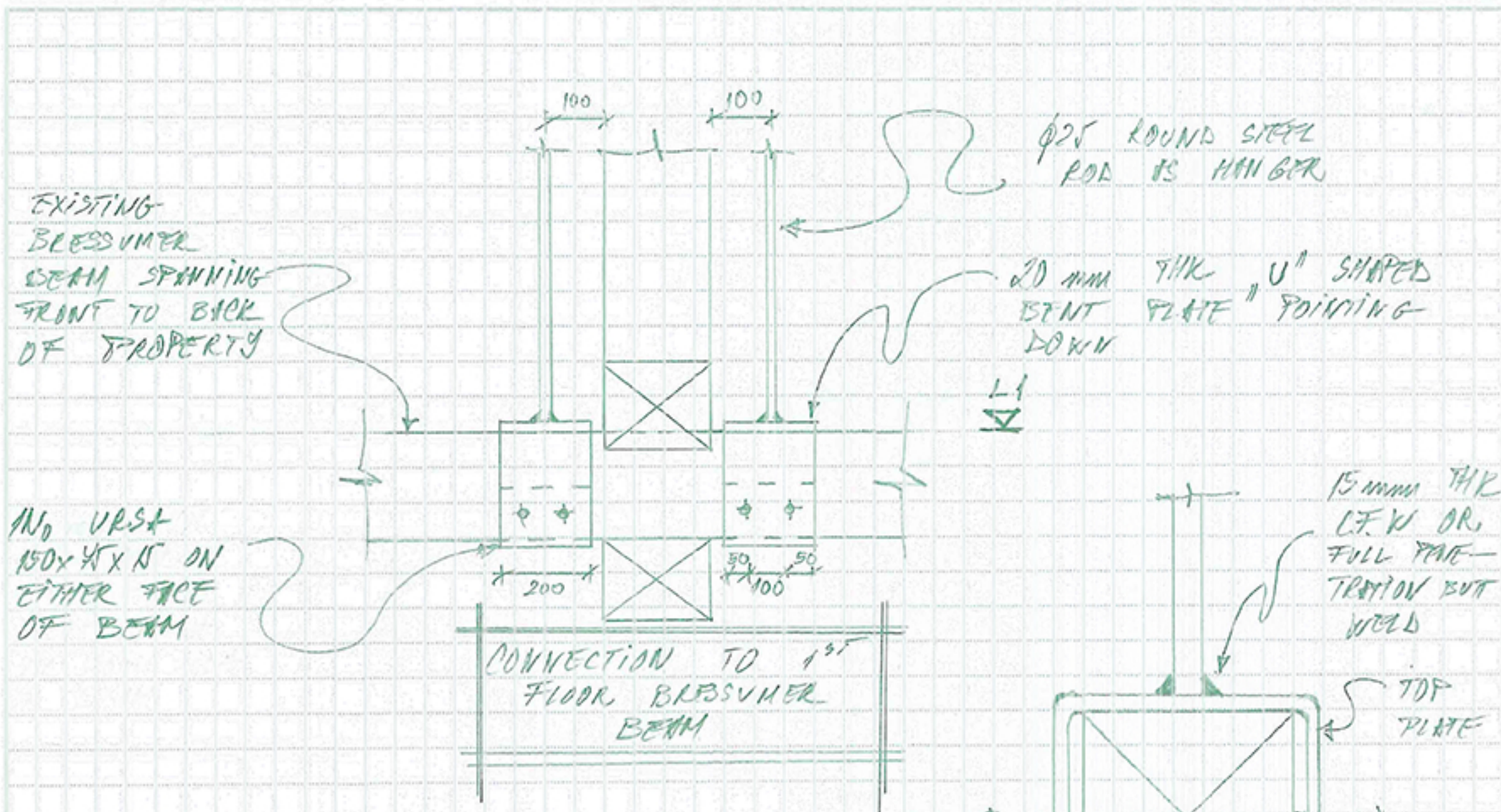
Job No : E17-225
Item : CONNECTION TO 1ST FL. BRESSUMER BEAM

LOCATION

CALCULATIONS

OPTIONS

TITLE : 14-15 SOUTHAMPTON PLACE



Ø25 ROUND STEEL ROD IS HANGER

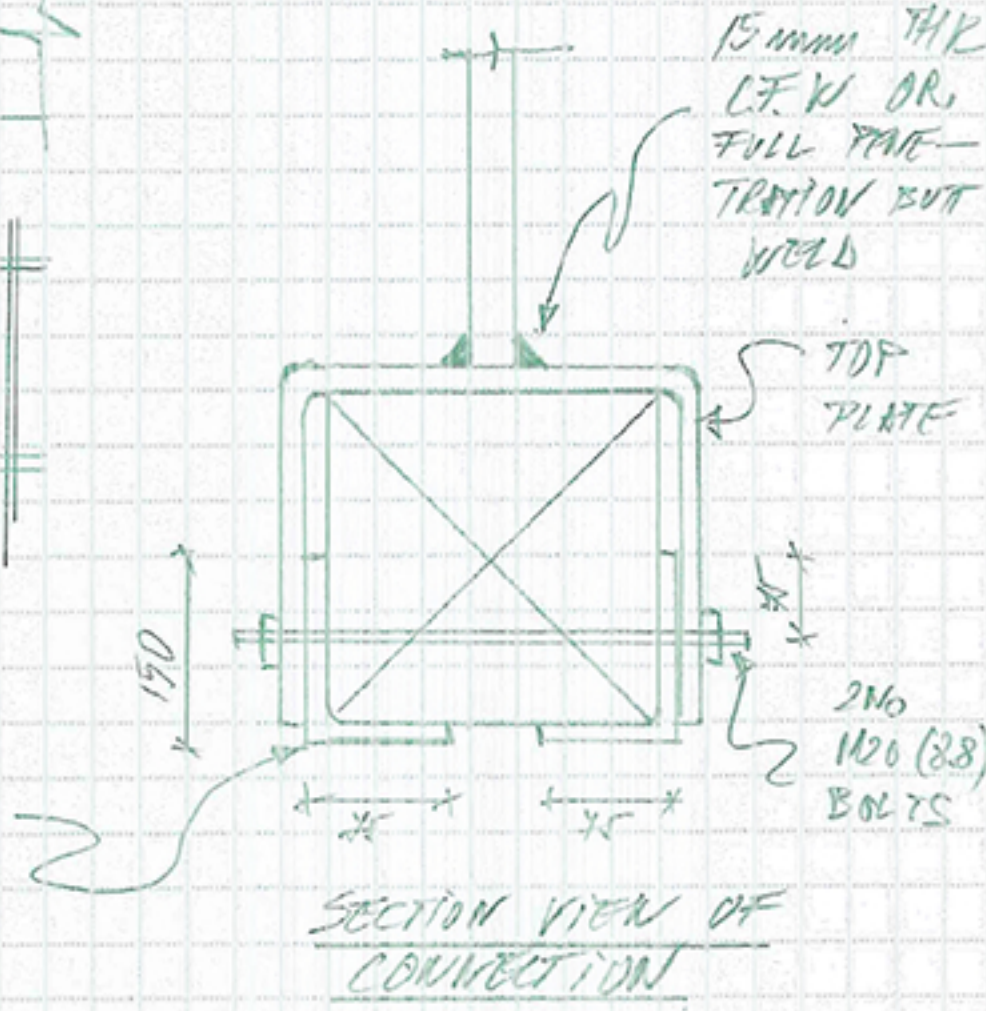
20mm THK BENT PLATE "POINTING DOWN"

L1

EXISTING BRESSUMER BEAM SPANNING FRONT TO BACK OF PROPERTY

NO URSA 150x45x15 ON EITHER FACE OF BEAM

CONNECTION TO 1ST FLOOR BRESSUMER BEAM



15mm THK L.F.W. OR FULL PENETRATION BUTT WELD

TOP PLATE

2 No 120 (28) BOLTS

SECTION VIEW OF CONNECTION

BOTTOM PLATES

OBS: • DRILLING THROUGH EXISTING BRESSUMER BEAM TO AVOID CRACKING OF TIMBER

• PROVIDE Ø14 HOLES FOR TIGHT FITTING OF BOLTS

• RODS TO BE TIGHTENED TO REMOVE ALL SLACK. DO NOT ATTEMPT TO LIFT EXISTING L1 FLOOR