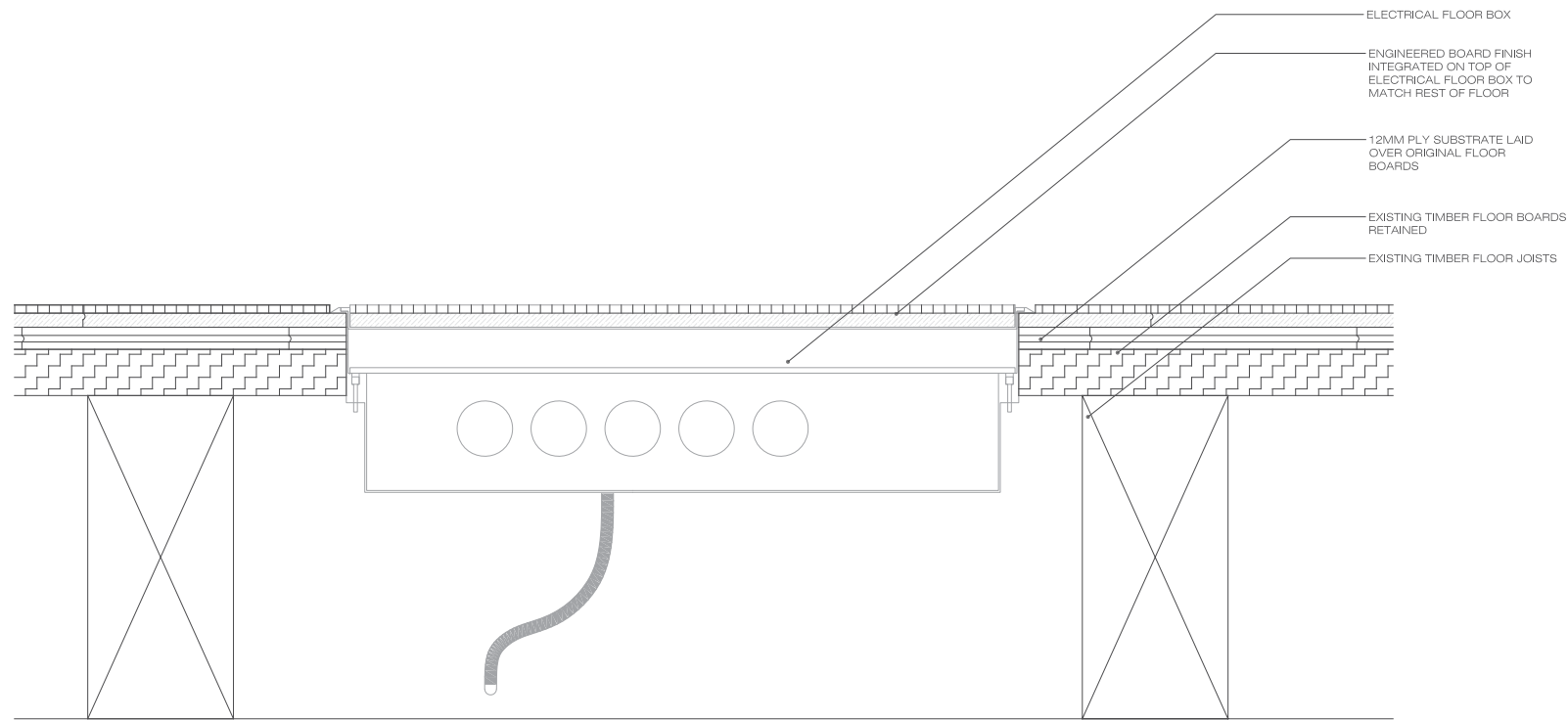
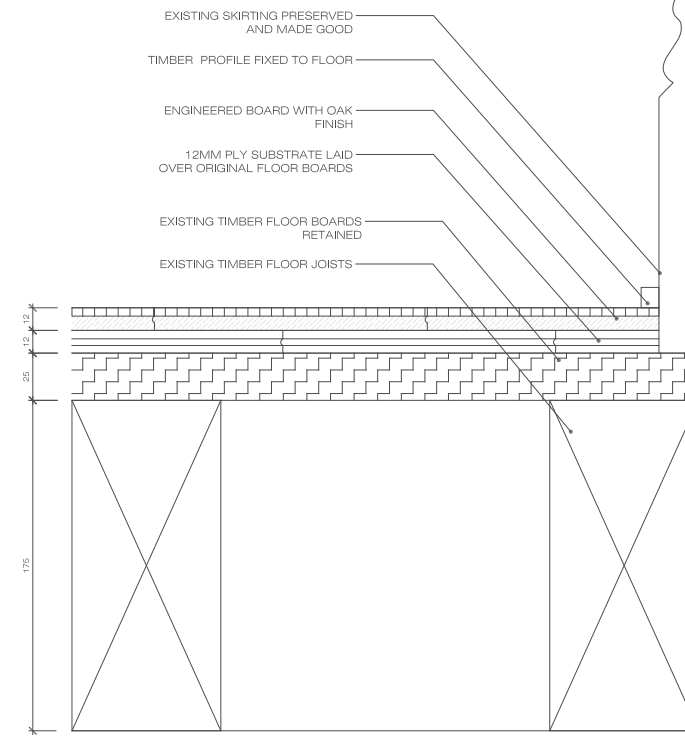


NOTES

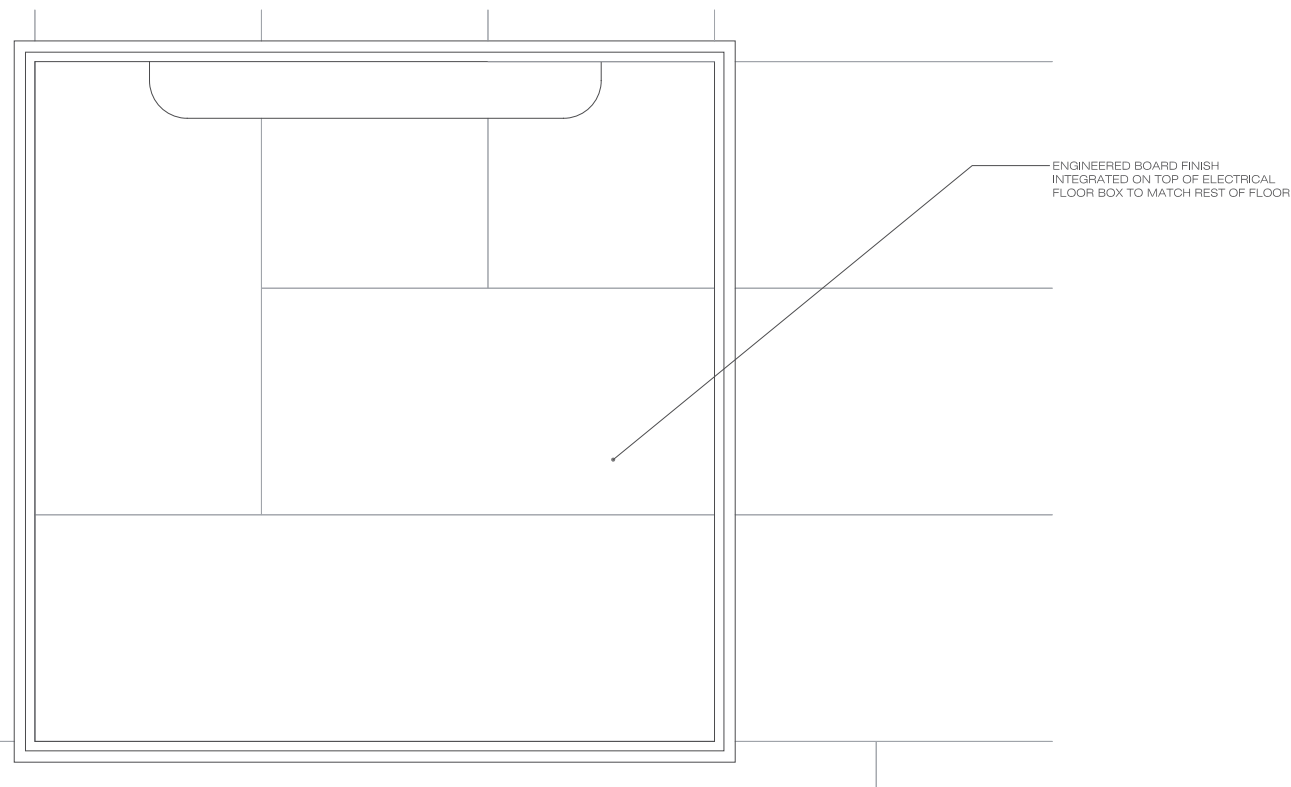
This drawing is copyright. All rights reserved.
Do not scale from this drawing; work from figured dimensions only.



01 TYPICAL FLOOR BOX SECTION
1:2@A1



03 TYPICAL FLOOR INTERFACE WITH SKIRTING
1:2@A1



02 TYPICAL FLOOR BOX PLAN
1:2@A1

A Planning Approval 30.02.18
- Pre Application 14.11.17

	PROJECT TITLE: 14-15 Southampton Place					
	DRAWING TITLE: FLOOR BUILD-UP PROPOSALS					
DWG STATUS: PLANNING						
DRAWN: MD	FILE: 648	DATE: 25.09.17	REVISION: A			
CHECKED: TJM	JOB NO: 648	SCALE: 1:2.5@A1	DWG NO: 648_612			