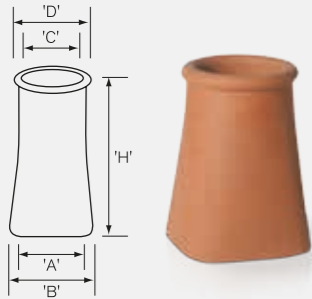


# Beaded Flue Terminals

## List No. 175

BSS Type 4D to suit 250 int. sq. flues

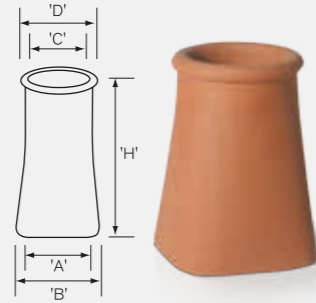
| Height<br>H | Base dia   |            | Top dia     |             |
|-------------|------------|------------|-------------|-------------|
|             | A          | B          | C           | D           |
| 300, 450    | 300<br>sq. | 340<br>sq. | 250<br>dia. | 310<br>dia. |



## List No. 175

BSS Type 4D to suit 300 int. sq. flues

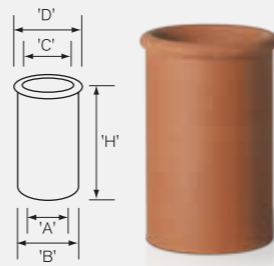
| Height<br>H | Base dia   |            | Top dia     |             |
|-------------|------------|------------|-------------|-------------|
|             | A          | B          | C           | D           |
| 300, 450    | 350<br>sq. | 390<br>sq. | 300<br>dia. | 385<br>dia. |



## List No. 180

BSS Type 6F to suit 225 dia flues

| Height<br>H               | Base dia |     | Top dia |     |
|---------------------------|----------|-----|---------|-----|
|                           | A        | B   | C       | D   |
| 300, 450, 600<br>750, 900 | 225      | 270 | 225     | 285 |

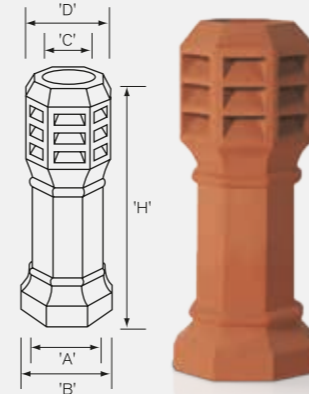


# Octagons

## List No. 36\*

Octagon Louvre Pot

| Height<br>H   | Base dia |     | Top dia |     |
|---------------|----------|-----|---------|-----|
|               | A        | B   | C       | D   |
| 600, 750, 900 | 275      | 320 | 175     | 250 |



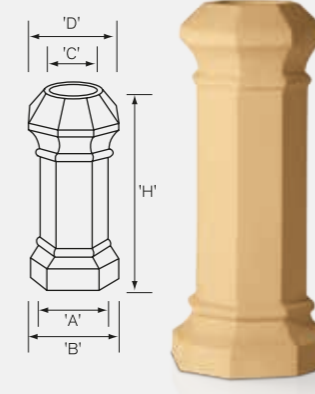
Suitable for certain solid fuel enclosed appliances only, please contact Red Bank for further information.



## List No. 39\*

Plain Octagon Pot

| Height<br>H   | Base dia |     | Top dia |     |
|---------------|----------|-----|---------|-----|
|               | A        | B   | C       | D   |
| 600, 750, 900 | 265      | 315 | 150     | 290 |



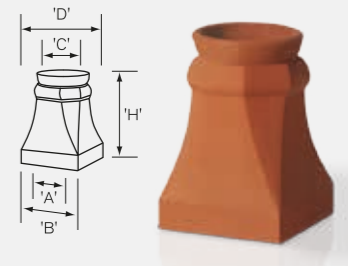
Suitable for certain solid fuel enclosed appliances only, please contact Red Bank for further information.



## List No. 53\*

Square Base Octagon Pot (with hood)

| Height<br>H | Base sq |     | Top dia |     |
|-------------|---------|-----|---------|-----|
|             | A       | B   | C       | D   |
| 375, 450    | 265     | 310 | 200     | 275 |



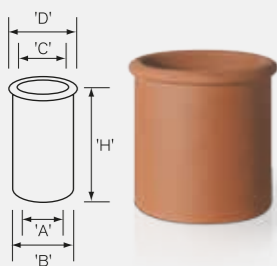
Not suitable for use with solid fuel when supplied with a hood - can only be used with redundant flues when supplied with hood.



## List No. 181

BSS Type 6F to suit 250 dia flues

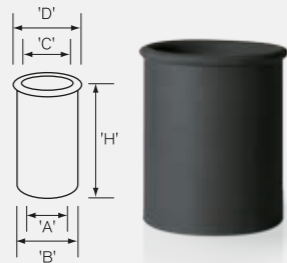
| Height<br>H                     | Base dia |     | Top dia |     |
|---------------------------------|----------|-----|---------|-----|
|                                 | A        | B   | C       | D   |
| 300, 450, 600<br>750, 900, 1200 | 250      | 295 | 250     | 310 |



## List No. 182

BSS Type 6F to suit 300 dia flues

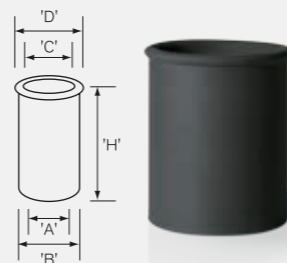
| Height<br>H               | Base dia |     | Top dia |     |
|---------------------------|----------|-----|---------|-----|
|                           | A        | B   | C       | D   |
| 300, 450, 600<br>750, 900 | 300      | 360 | 300     | 385 |



## List No. 183

BSS Type 6F to suit 350 dia flues

| Height<br>H               | Base dia |     | Top dia |     |
|---------------------------|----------|-----|---------|-----|
|                           | A        | B   | C       | D   |
| 300, 450, 600<br>750, 900 | 350      | 360 | 350     | 385 |



\*See notes on pages 46 and 47 regarding limited application. Note: Beaded Rebated terminals to suit clay flue linings.

### Product colours



For further details on colour or pallet quantities visit [forterra.co.uk](http://forterra.co.uk)

