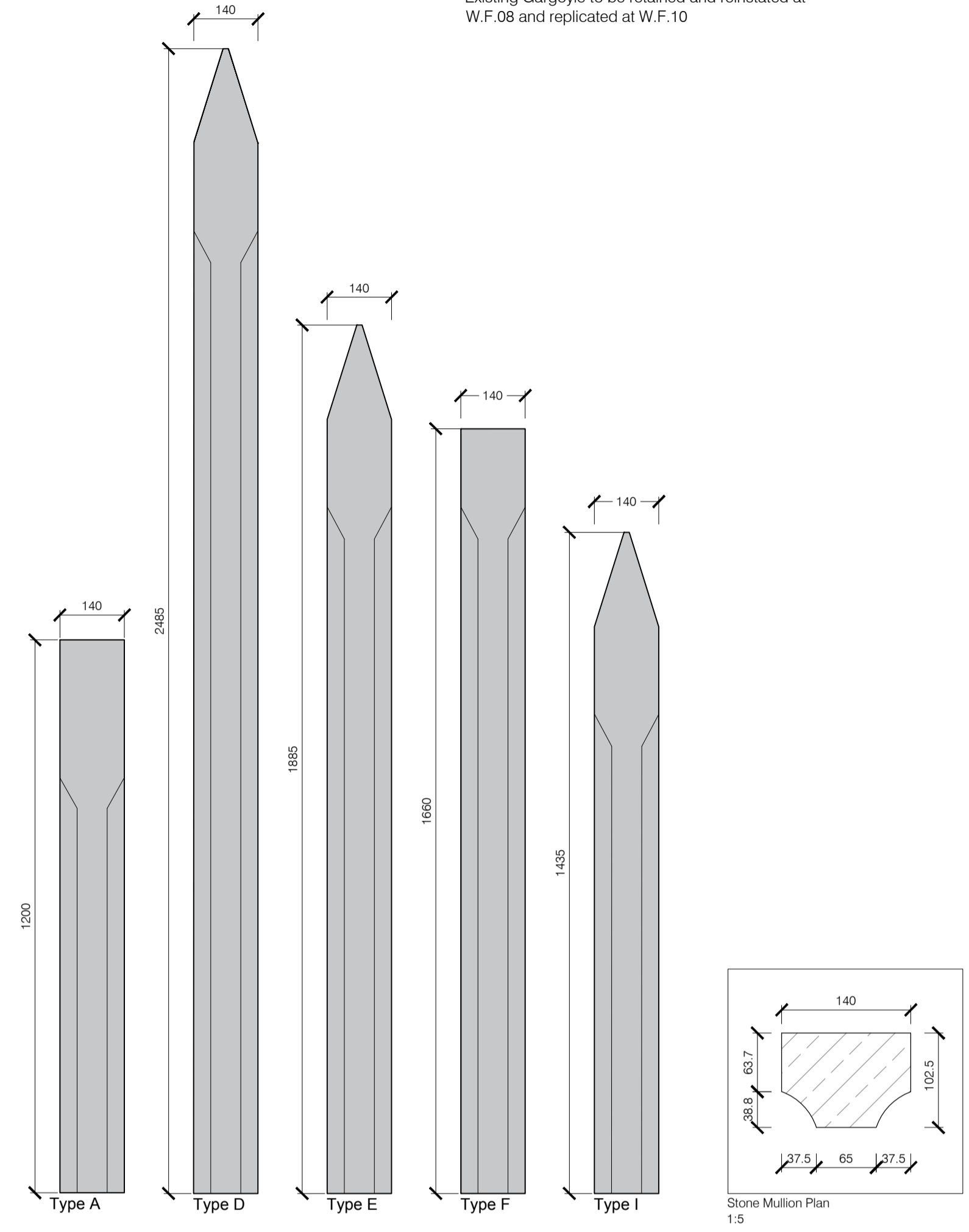
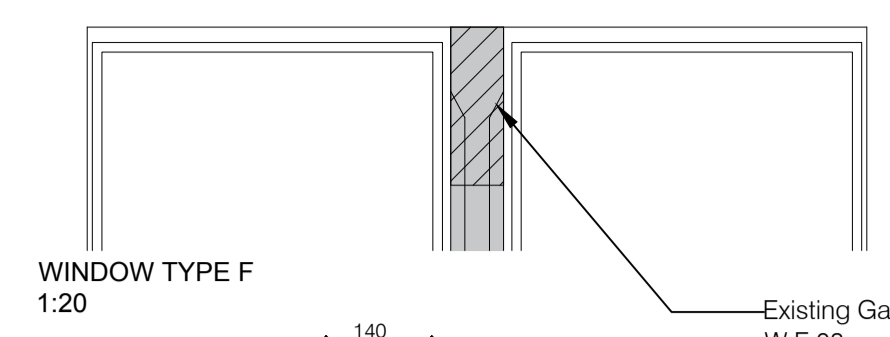
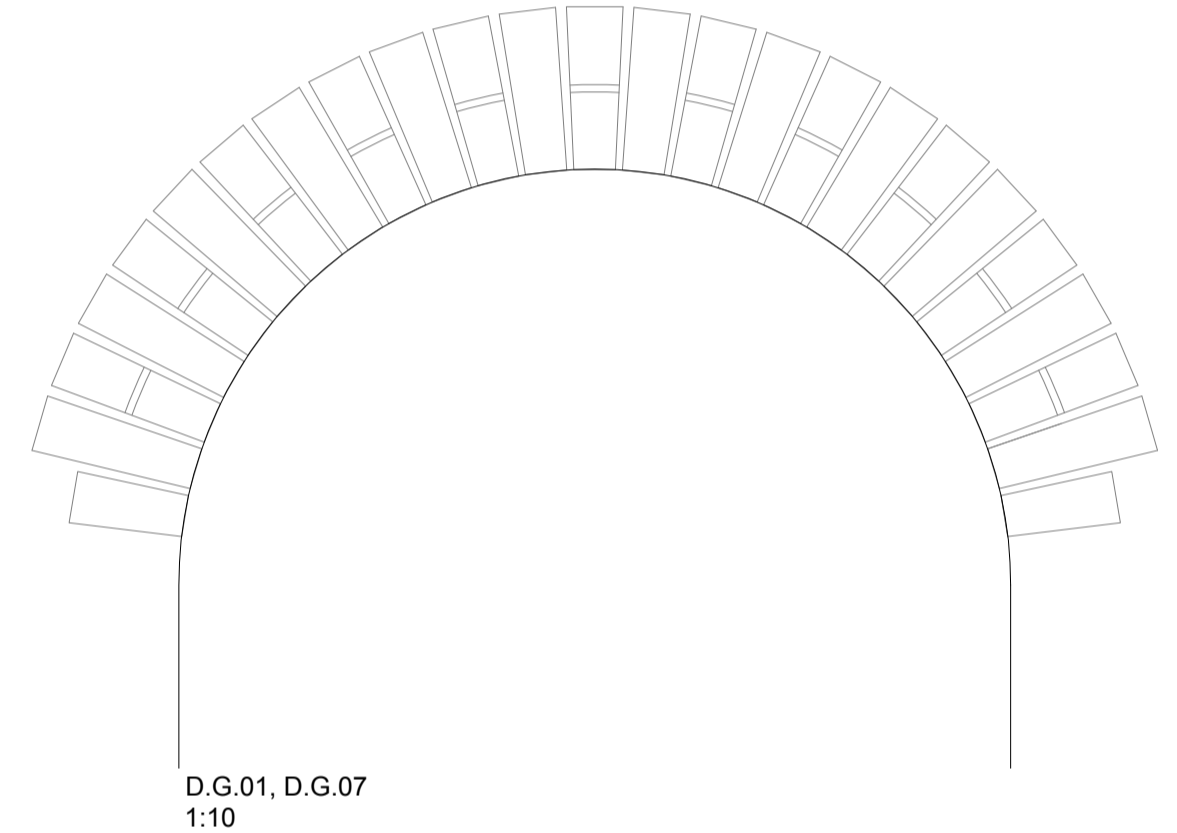
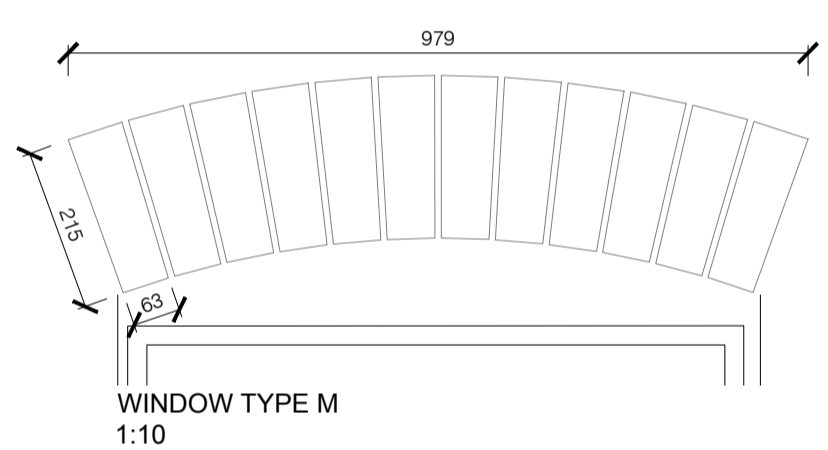
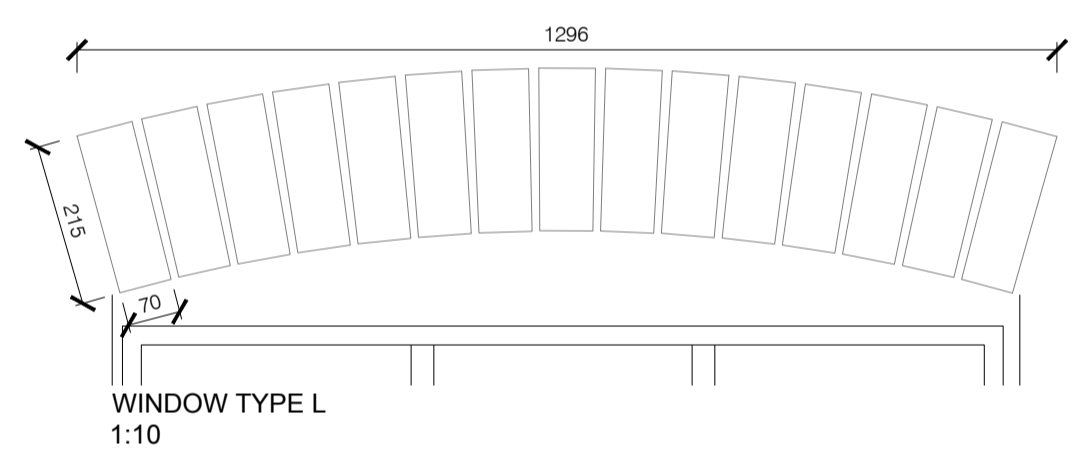
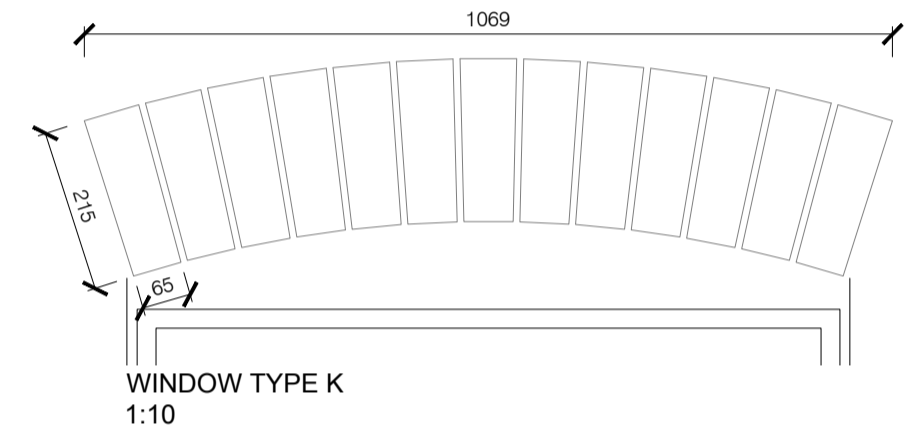
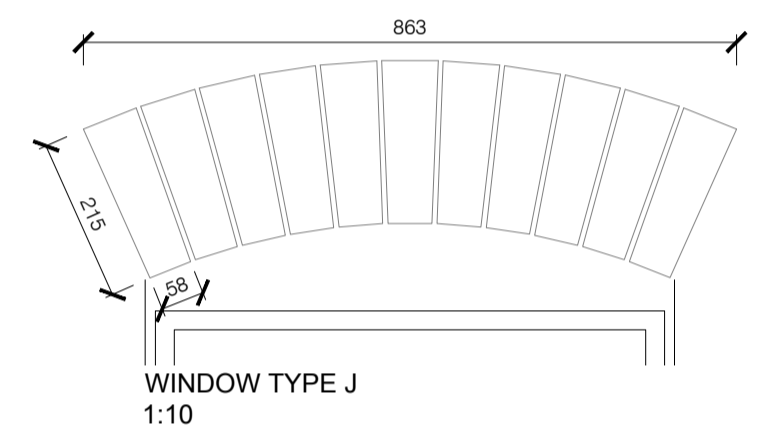
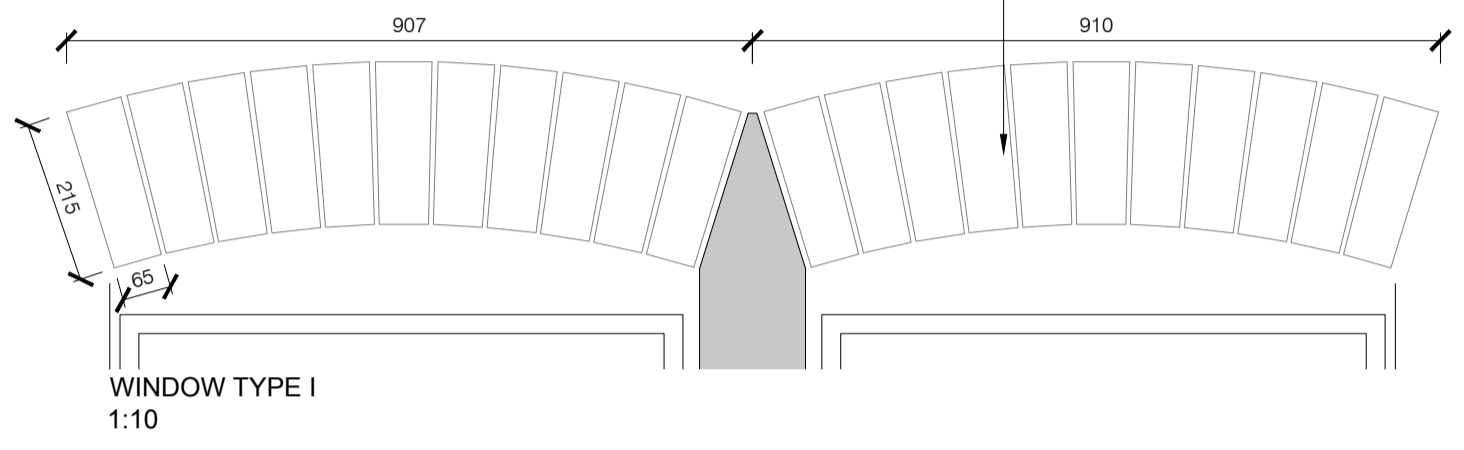
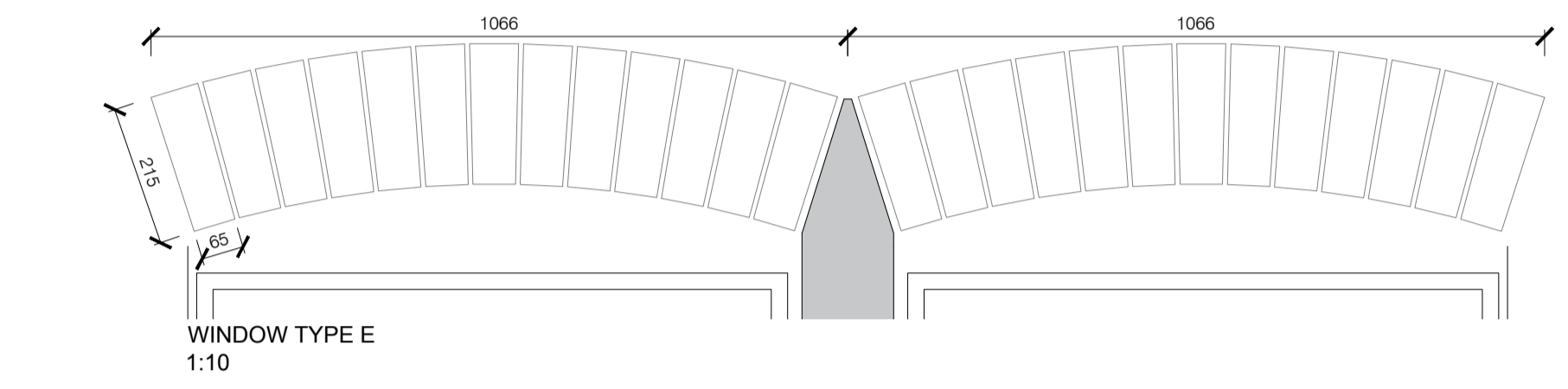
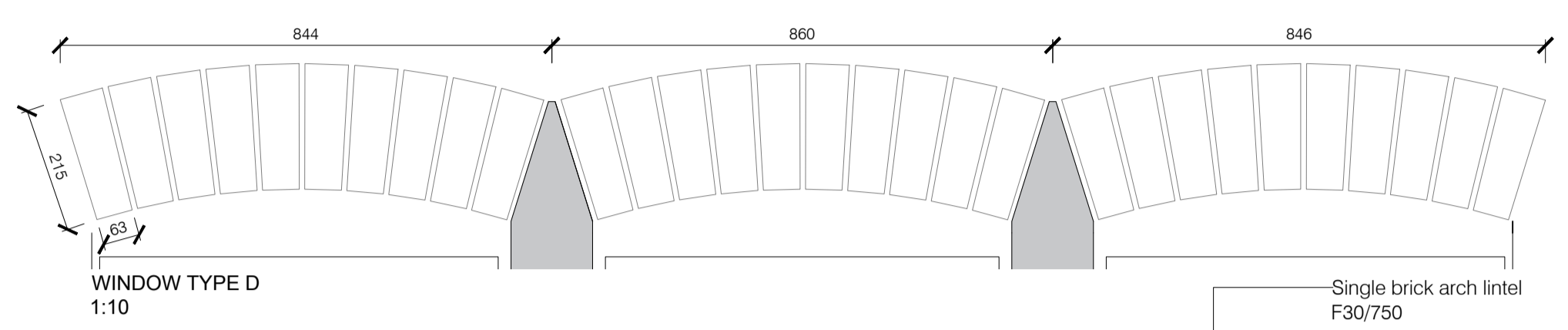
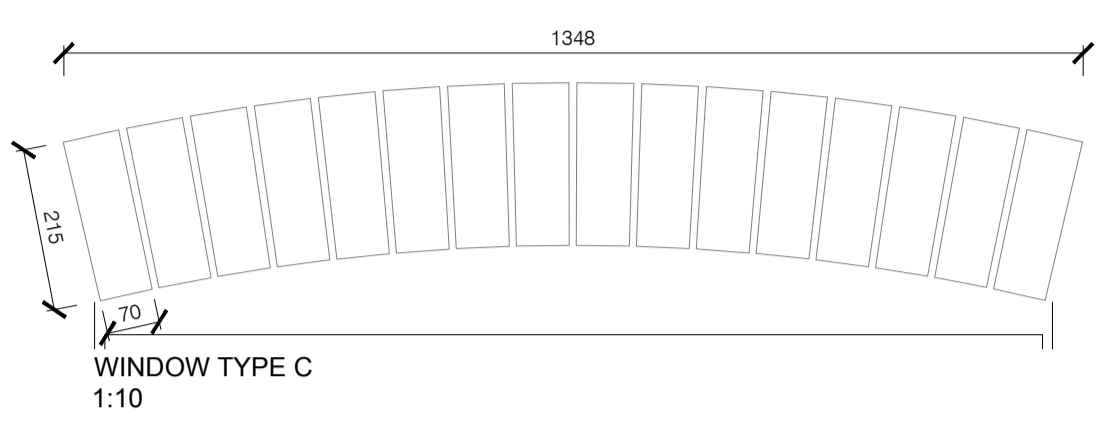
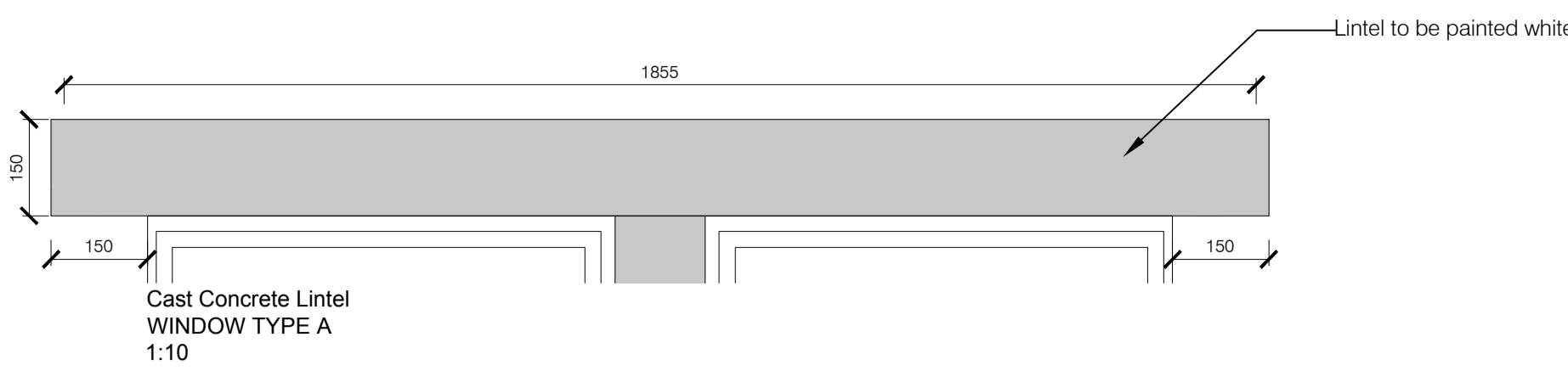


Rev	Date	Details	Drawn by	Checked by
A	30/06/17	Tender issue 01 issue for review	CM	BL
B	18/10/17	Section lines added to stone sills. Additional dimensions added. Stone labeled as Cast stone as per spec reference.	CM	BL
C	08/12/17	Revisions listed below	CM	BL
D	10/01/18	Issue for condition 2 discharge	CM	BL
E	19/03/18	"Pre-cast" sills/mullions/lintels changed to "pre-cast concrete".	CM	BL

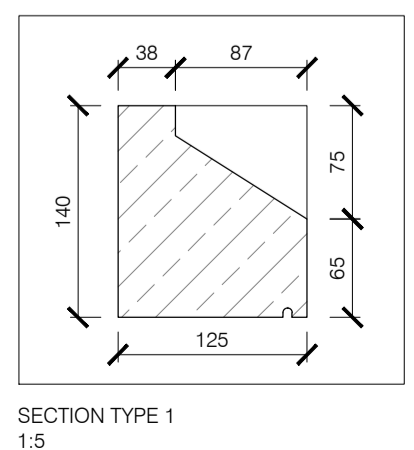
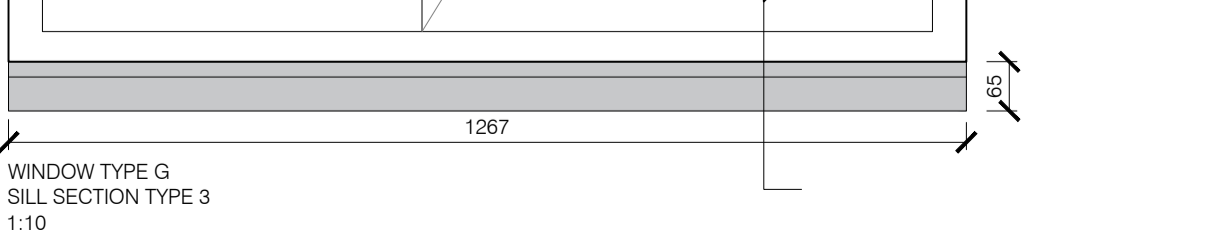
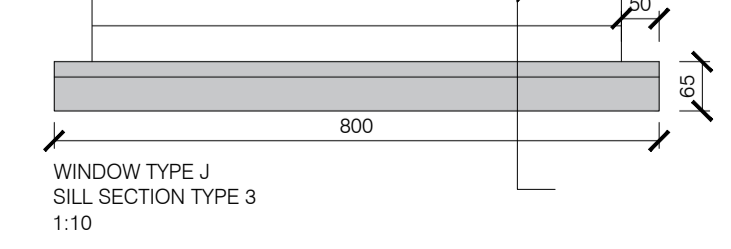
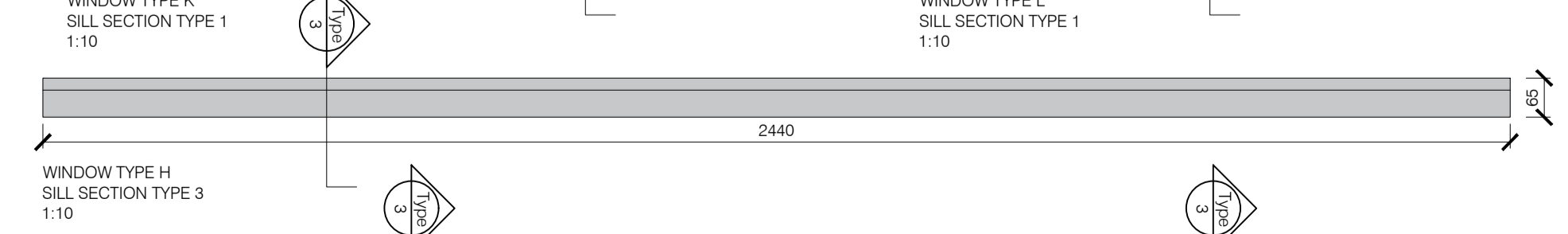
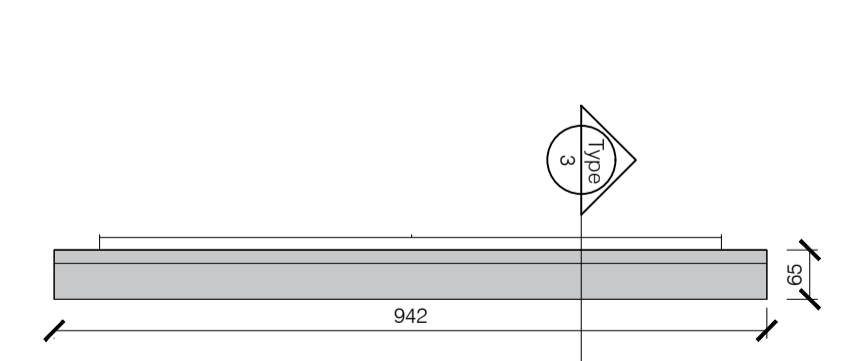
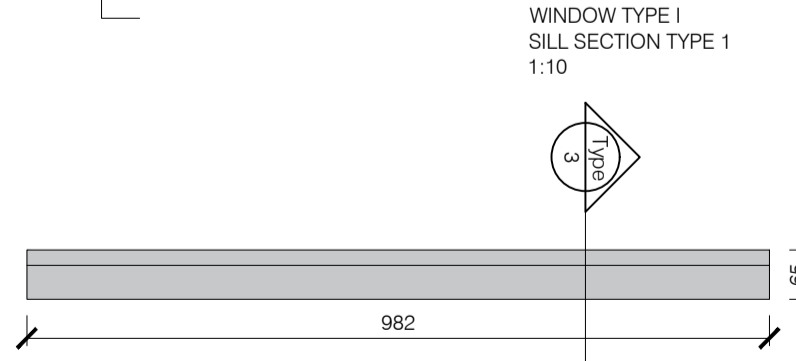
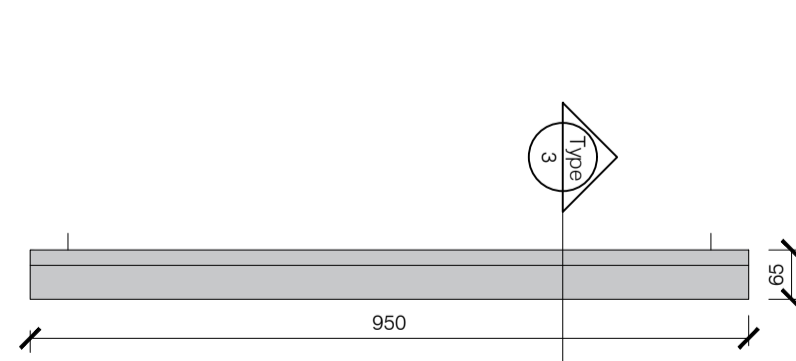
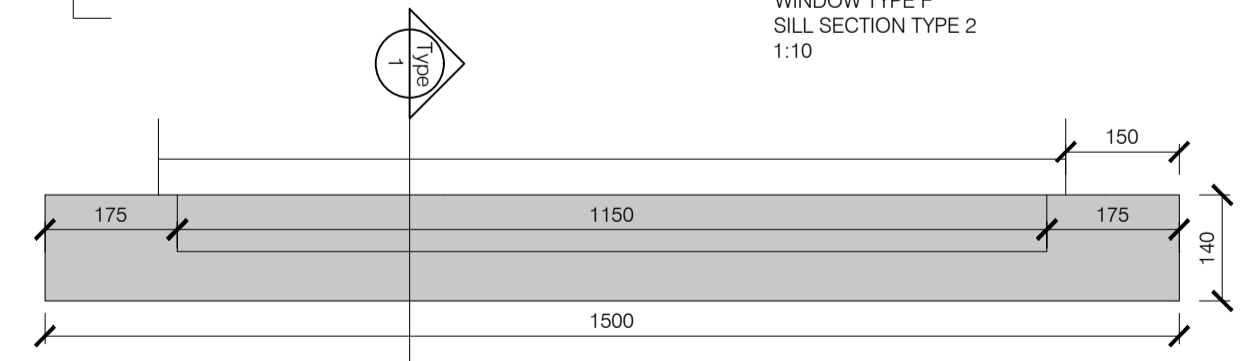
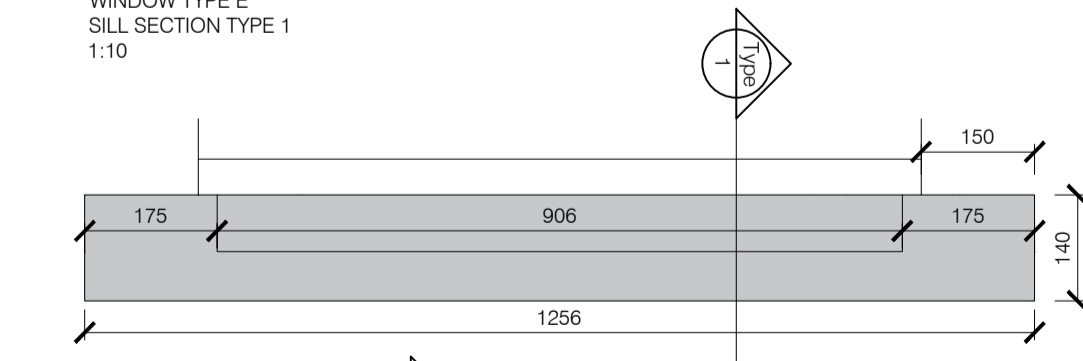
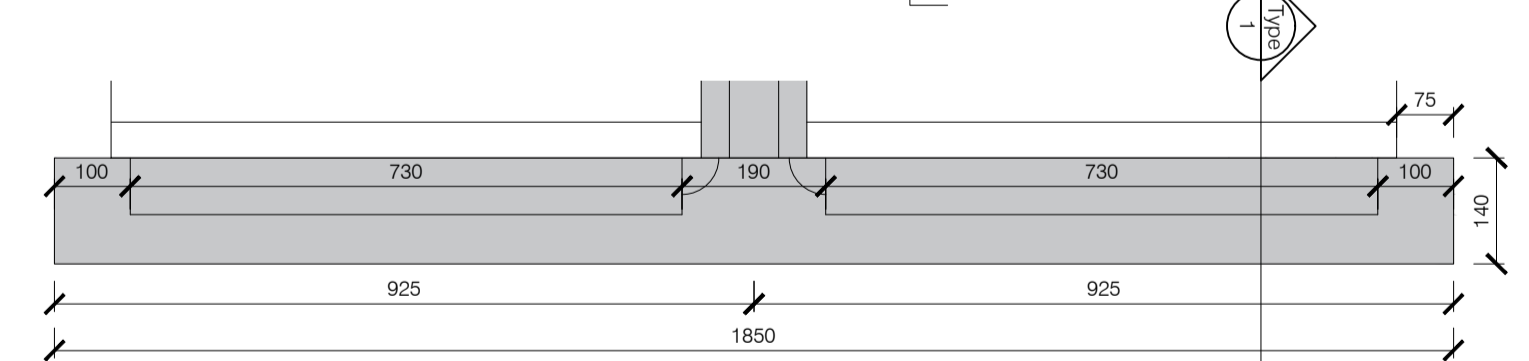
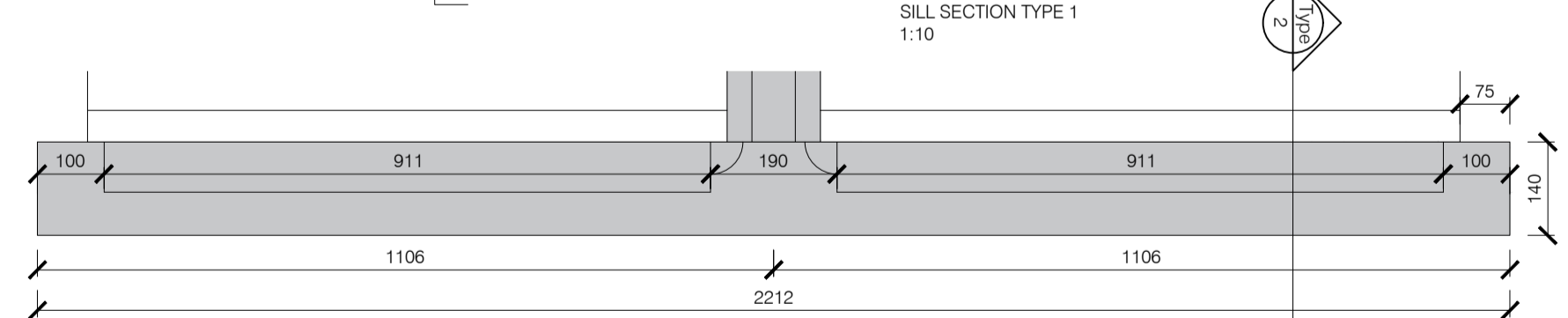
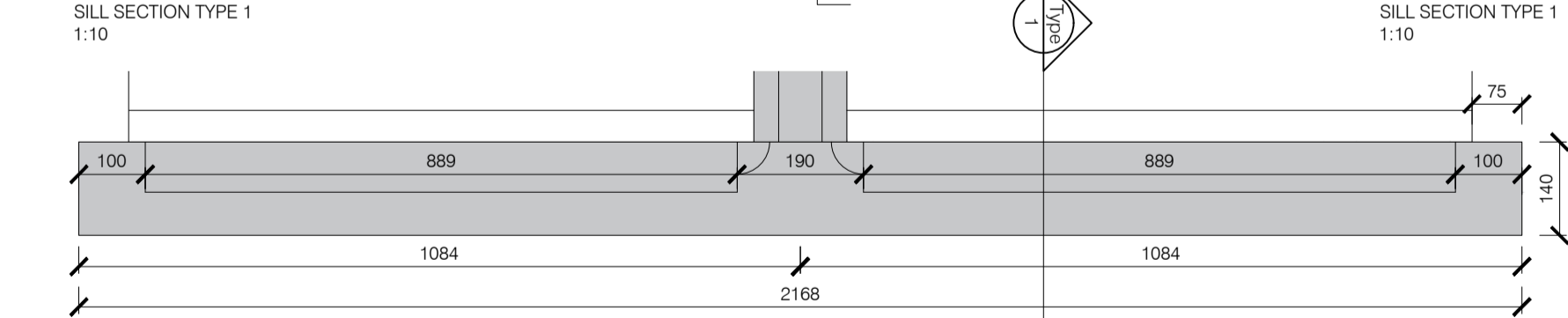
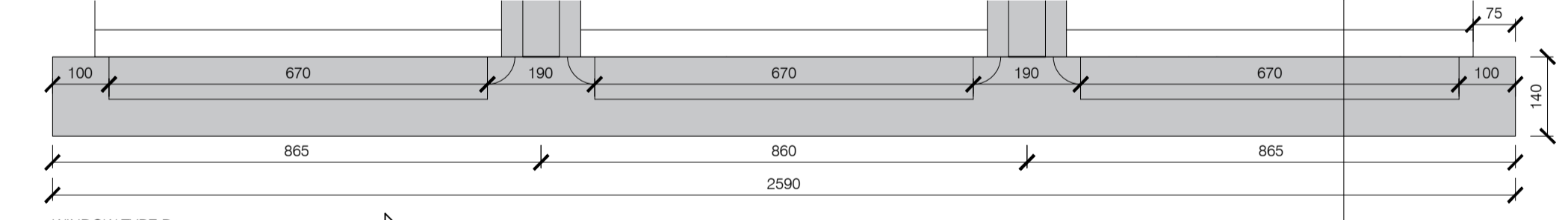
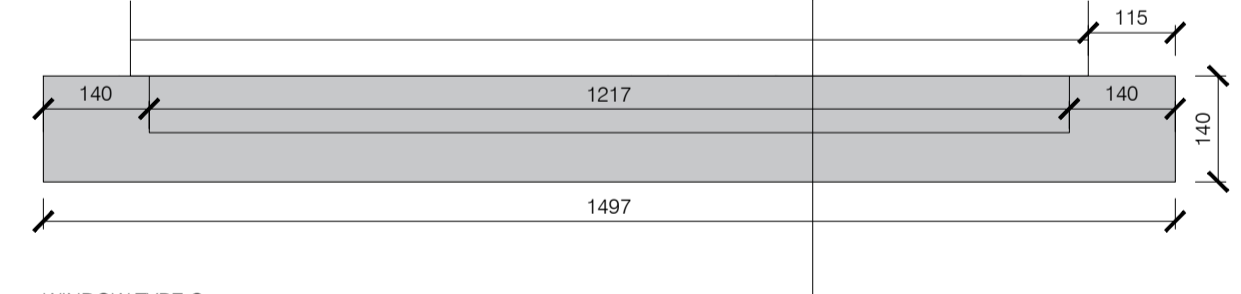
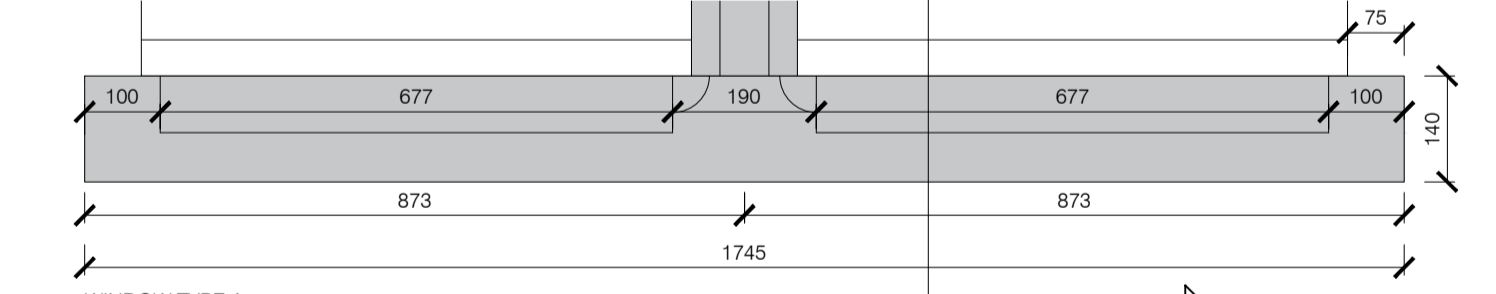
Read in conjunction with window schedule - All masonry type references coincide with window type references.

Refer to Retained Features Schedule for items retained from building demolition to be re-used / used for reference.

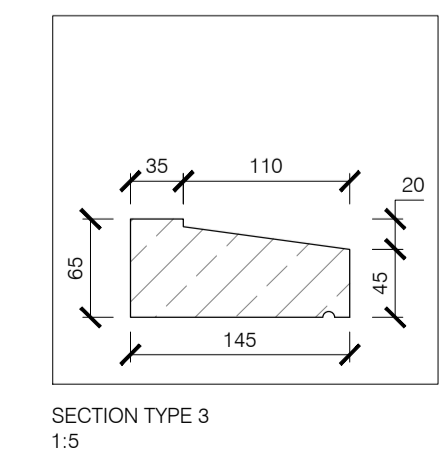
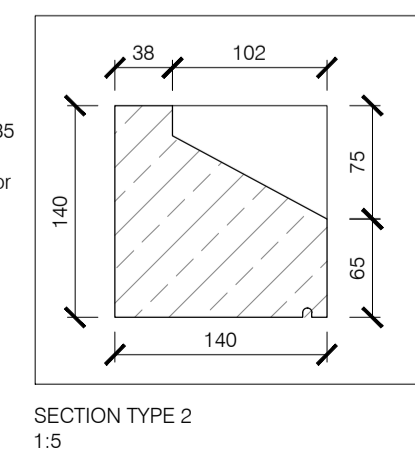


Single Brick Segmental Arch Lintel

Cast Concrete Sills Painted White



Refer to (21)35 Masonry Schedule II for corbel detail



S & T (Ltd)
client name
18-20 Elsworth Road
London
NW3 3DJ

Masonry Schedule II
Window Details
Planning
10/07/17 PV
date drawn
1:10@A1 BL
scale checked

(03) 18
drawing number
E 832-01
revision job number

