

DETAILED SITE LOCATION
(Scale 1:1250)

N.G.R. E: 529960, N: 182219
Based upon Ordnance Survey map extract
with the permission of the Controller of
Her Majesty's Stationery Office.
Crown copyright.
Promap Licence No.100035093

- 1 ALL DIMENSIONS ARE IN mm UNLESS NOTED OTHERWISE
- 2 DO NOT SCALE DRAWINGS
- 3 RED BOXED TEXT INDICATES PROPOSED WORKS
- 4 BLUE BOXED TEXT INDICATES PROPOSED H3G WORKS BY OTHERS
- 5 READ IN CONJUNCTION WITH CONSTRUCTION NOTES DRAWING

No.	Revision	By	Ckd	Date
A2	GDC Pass/ FIXIT Approved	DW	JS	06.12.17
A1	Preliminary Issue For Comment	DW	JS	13.11.17




sitec
 Infrastructure Services Ltd

7400 Cambridge Research Park
 Beach Drive, Waterbeach
 Cambridge
 CB25 9TN
 Tel: 01223 792150
 Fax: 01223 862752
 e: info@sitec-is.co.uk
 w: www.sitec-is.co.uk

Site Name & Address:

ROYAL NATIONAL HOTEL
 BEDFORD WAY
 CAMDEN
 LONDON
 WC1H 0DG

Drawing Title: LOCATION PLAN

Purpose of Issue: PLANNING

Drawing No: CMN017 01

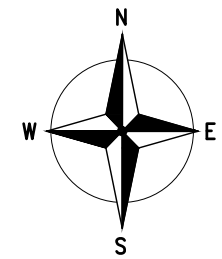
TM Cell ID: 90003	TM Site ID: 500307	MBNL Cell ID: CMN017
----------------------	-----------------------	-------------------------

Scale: As Shown	Drawn: DW	Date: 13.11.17	Issue:
Checked: JS	Date: 13.11.17	Approved: SDG	Date: 13.11.17

A2

100mm
75mm
50mm
25mm
0mm

A3



NOTE: EXISTING 6No. 1800 POWERWAVE MHA's TO BE SWAPPED OUT FOR 3No. 1800 COMMSCOPE MHA's FOR RET CONTROL

NOTE: CLIMB TO RRH's OVER 5m - FIXIT APPROVED. FIXIT No. 20146

NOTE: EXISTING EE1800 SECTOR 1 & 2 4-50 FEEDERS TO BE REMOVED & REPLACED WITH NEW 5-50 FEEDERS

NOTES:
FOR FULL EQUIPMENT DETAILS THIS DRAWING SHOULD BE READ IN CONJUNCTION WITH DRAWING 04 (EQUIPMENT DETAILS)

ALL PROPOSED EQUIPMENT AND STEELWORK TO BE BONDED TO EXISTING LIGHTNING PROTECTION SYSTEM

RF: OPTION - 9
BoB SCENARIO: 1

- 1 ALL DIMENSIONS ARE IN mm UNLESS NOTED OTHERWISE
- 2 DO NOT SCALE DRAWINGS
- 3 RED BOXED TEXT INDICATES PROPOSED WORKS
- 4 BLUE BOXED TEXT INDICATES PROPOSED H3G WORKS BY OTHERS
- 5 READ IN CONJUNCTION WITH CONSTRUCTION NOTES DRAWING

DEPENDENCIES:	
ASBESTOS	Report Required- Requested
BUILDING REGULATIONS	N/A
FIXIT FORM	Fixit Approved
GLOBAL DESIGN CHECK	GDC Completed & Approved
ICNIRP CONFORMITY	Complies to GSD008 Without Control
UNDERGROUND SERVICES SEARCHES	N/A
STRUCTURAL CHECK	Completed by GDC
COOLING CHECK	Cooling Sufficient

No.	Revision	By	Ckd	Date
A2	GDC Pass/ FIXIT Approved	DW	JS	06.12.17
A1	Preliminary Issue For Comment	DW	JS	13.11.17



7400 Cambridge Research Park
Beach Drive, Waterbeach
Cambridge
CB25 9TN

sitec
Infrastructure Services Ltd

Tel: 01223 792150
Fax: 01223 862752
e: info@sitec-is.co.uk
w: www.sitec-is.co.uk

Site Name & Address:
ROYAL NATIONAL HOTEL
BEDFORD WAY
CAMDEN
LONDON
WC1H 0DG

Drawing Title:		SITE PLAN	
Purpose of Issue:		PLANNING	
Drawing No:		CMN017 02	
TM Cell ID:	90003	TM Site ID:	500307
MBNL Cell ID:	CMN017		
Scale:	As Shown	Drawn:	DW
Checked:	JS	Date:	13.11.17
Approved:	SDG	Date:	13.11.17
			Issue:
			A2

PROPOSED 1No. MBNL COMMSCOPE BOB & 1No. HUAWEI RRH TO BE INSTALLED END ON 1m ABOVE ROOF LEVEL TO NEW MAFI 4112 FREESTANDER OR SIMILAR APPROVED

EXISTING MBNL 1No. 1800/2100 ANTENNA ON OFFSET BRACKET FIXED TO WALL MOUNTED SUPPORT POLE TO REMAIN. BRACKET TO BE ROTATED TO ACHIEVE FACE ALIGNMENT

EXISTING 1No. 1800 POWERWAVE MHA ON WALL MOUNTED SUPPORT POLE TO BE REMOVED AND REPLACED WITH NEW 1800 COMMSCOPE MHA FOR RET CONTROL

EXISTING 1No. 1800 ANTENNA ON WALL MOUNTED SUPPORT POLE TO BE REMOVED AND REPLACED WITH PROPOSED 1No. 1800/2600 ANTENNA FIXED TO EXISTING POLE

EXISTING MBNL 2No. 300Ø DISHES (D1 & D2) ON WALL MOUNTED SUPPORT POLE FIXED TO WALL

EXISTING STEEL STEPS
EXISTING HOOPED ACCESS LADDER

EXISTING MBNL 300 WIDE CABLE TRAY ON RAISED FRAME TO BE USED TO RUN PROPOSED RRH TAILS

EXISTING MBNL 1No. 1800 ANTENNA ON WALL MOUNTED SUPPORT POLE TO BE REMOVED.

EXISTING MBNL 1No. 1800/2100 ANTENNA ON OFFSET BRACKET FIXED TO WALL MOUNTED SUPPORT POLE TO REMAIN. BRACKET TO BE ROTATED TO ACHIEVE FACE ALIGNMENT

EXISTING 1No. 1800 ANTENNA ON WALL MOUNTED SUPPORT POLE TO BE REMOVED AND REPLACED WITH PROPOSED 1No. 1800/2600 ANTENNA FIXED TO EXISTING POLE

EXISTING 1No. 1800 POWERWAVE MHA ON WALL MOUNTED SUPPORT POLE TO BE REMOVED AND REPLACED WITH NEW 1800 COMMSCOPE MHA FOR RET CONTROL

PROPOSED 1No. MBNL COMMSCOPE BOB & 1No. HUAWEI RRH TO BE INSTALLED END ON 1m ABOVE ROOF LEVEL TO NEW MAFI 4112 FREESTANDER OR SIMILAR APPROVED

EXISTING OLO ANTENNA ON WALL MOUNTED SUPPORT POLE

EXISTING SKYLIGHTS IN PLANTROOM ROOF

LOWER ROOF LEVEL 28.45m

ROOF LEVEL 32.9m

LOWER ROOF LEVEL 28.45m

GROUND LEVEL 0.00m

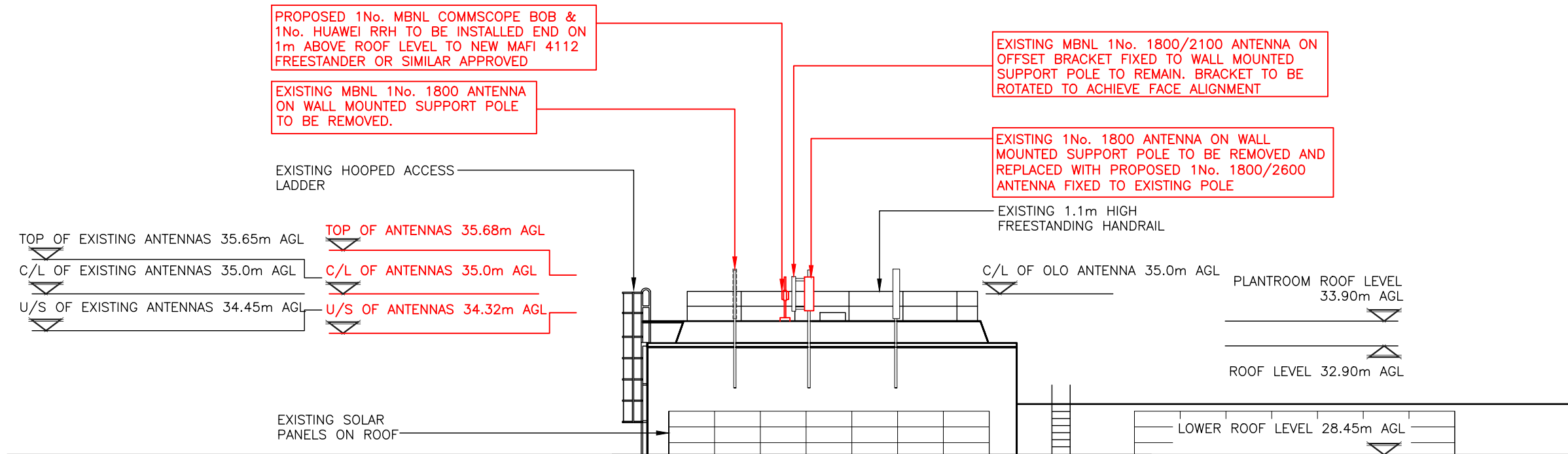
PLANTROOM ROOF LEVEL 33.9m

SITE PLAN
(SCALE: 1:200)

100mm
75mm
50mm
25mm
0mm

RF: OPTION - 9
BoB SCENARIO: 1

- 1 ALL DIMENSIONS ARE IN mm UNLESS NOTED OTHERWISE
- 2 DO NOT SCALE DRAWINGS
- 3 RED BOXED TEXT INDICATES PROPOSED WORKS
- 4 BLUE BOXED TEXT INDICATES PROPOSED H3G WORKS BY OTHERS
- 5 READ IN CONJUNCTION WITH CONSTRUCTION NOTES DRAWING



No.	Revision	By	Ckd	Date
A2	GDC Pass/ FIXIT Approved	DW	JS	06.12.17
A1	Preliminary Issue For Comment	DW	JS	13.11.17



7400 Cambridge Research Park
Beach Drive, Waterbeach
Cambridge
CB25 9TN

sitec
Infrastructure Services Ltd

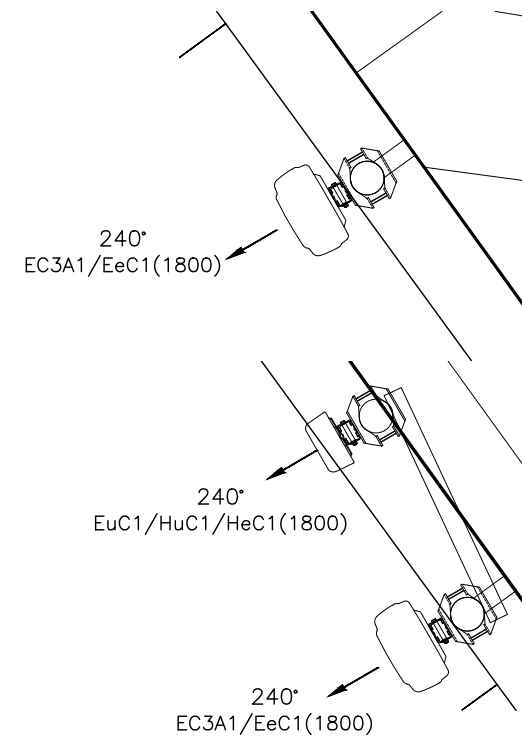
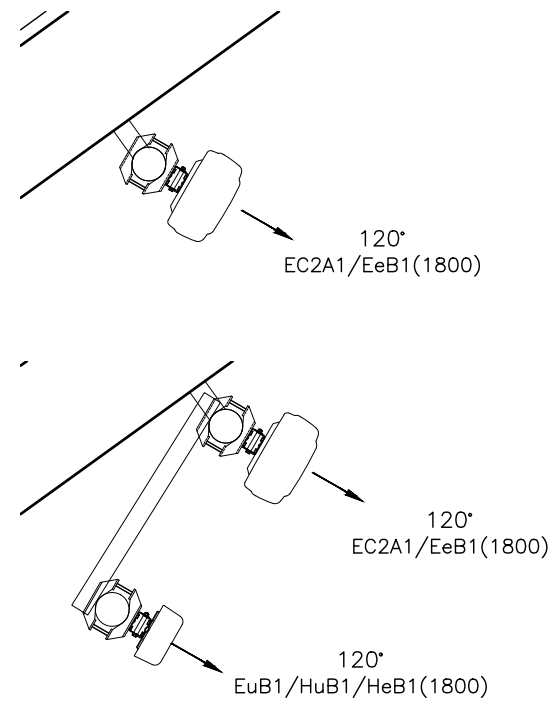
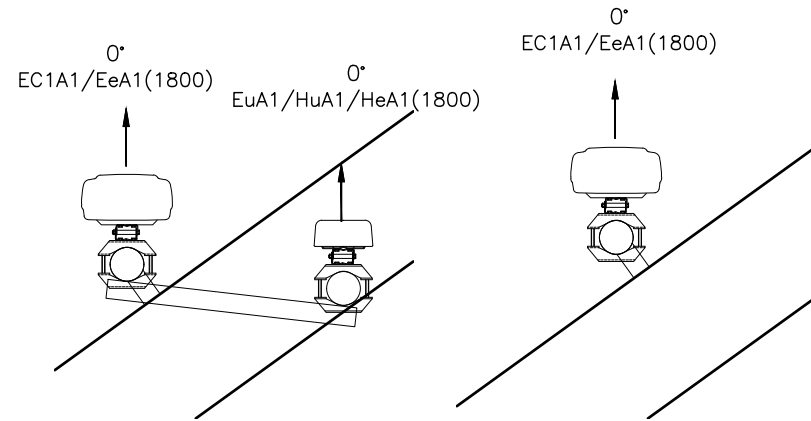
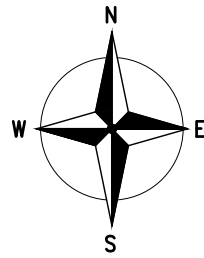
Tel: 01223 792150
Fax: 01223 862752
e: info@sitec-is.co.uk
w: www.sitec-is.co.uk

Site Name & Address:
ROYAL NATIONAL HOTEL
BEDFORD WAY
CAMDEN
LONDON
WC1H 0DG

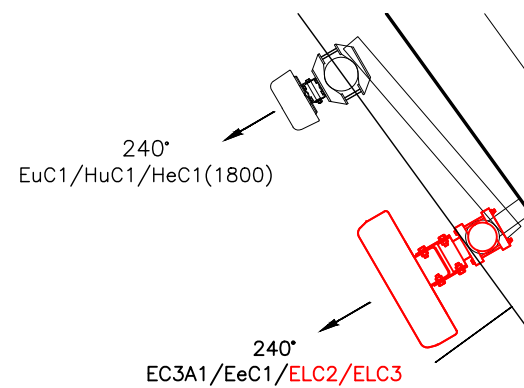
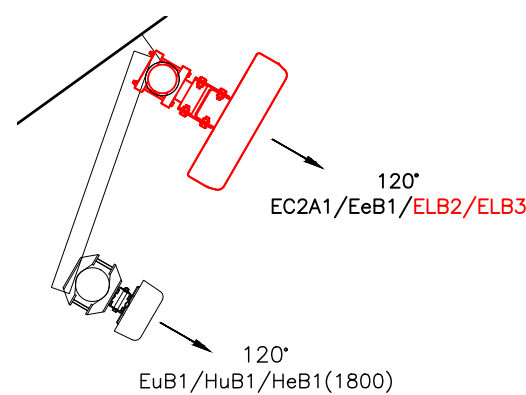
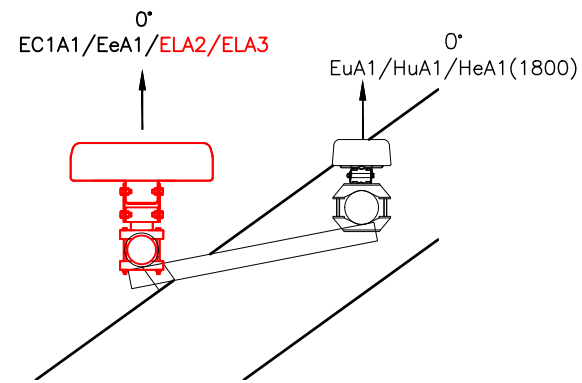
Drawing Title: NORTH ELEVATION			
Purpose of Issue: PLANNING			
Drawing No: CMN017 03			
TM Cell ID: 90003	TM Site ID: 500307	MBNL Cell ID: CMN017	
Scale: As Shown	Drawn: DW	Date: 13.11.17	Issue: A2
Checked: JS	Date: 13.11.17	Approved: SDG	Date: 13.11.17

SOUTH WEST ELEVATION
(SCALE: 1:200)

100mm
75mm
50mm
25mm
0mm



EXISTING ANTENNA DETAILS
(SCALE: 1:20)



PROPOSED ANTENNA DETAILS
(SCALE: 1:20)

- 1 ALL DIMENSIONS ARE IN mm UNLESS NOTED OTHERWISE
- 2 DO NOT SCALE DRAWINGS
- 3 RED BOXED TEXT INDICATES PROPOSED WORKS
- 4 BLUE BOXED TEXT INDICATES PROPOSED H3G WORKS BY OTHERS
- 5 READ IN CONJUNCTION WITH CONSTRUCTION NOTES DRAWING

No.	Revision	By	Ckd	Date
A2	GDC Pass/ FIXIT Approved	DW	JS	06.12.17
A1	Preliminary Issue For Comment	DW	JS	13.11.17




 7400 Cambridge Research Park
 Beach Drive, Waterbeach
 Cambridge
 CB25 9TN
 Tel: 01223 792150
 Fax: 01223 862752
 e: info@sitec-is.co.uk
 w: www.sitec-is.co.uk

Site Name & Address:
 ROYAL NATIONAL HOTEL
 BEDFORD WAY
 CAMDEN
 LONDON
 WC1H 0DG

Drawing Title: ANTENNA LAYOUT

Purpose of Issue: PLANNING

Drawing No: CMN017 06

TM Cell ID: 90003	TM Site ID: 500307	MBNL Cell ID: CMN017
----------------------	-----------------------	-------------------------

Scale: As Shown	Drawn: DW	Date: 13.11.17	Issue:
Checked: JS	Date: 13.11.17	Approved: SDG	Date: 13.11.17

100mm
75mm
50mm
25mm
0mm