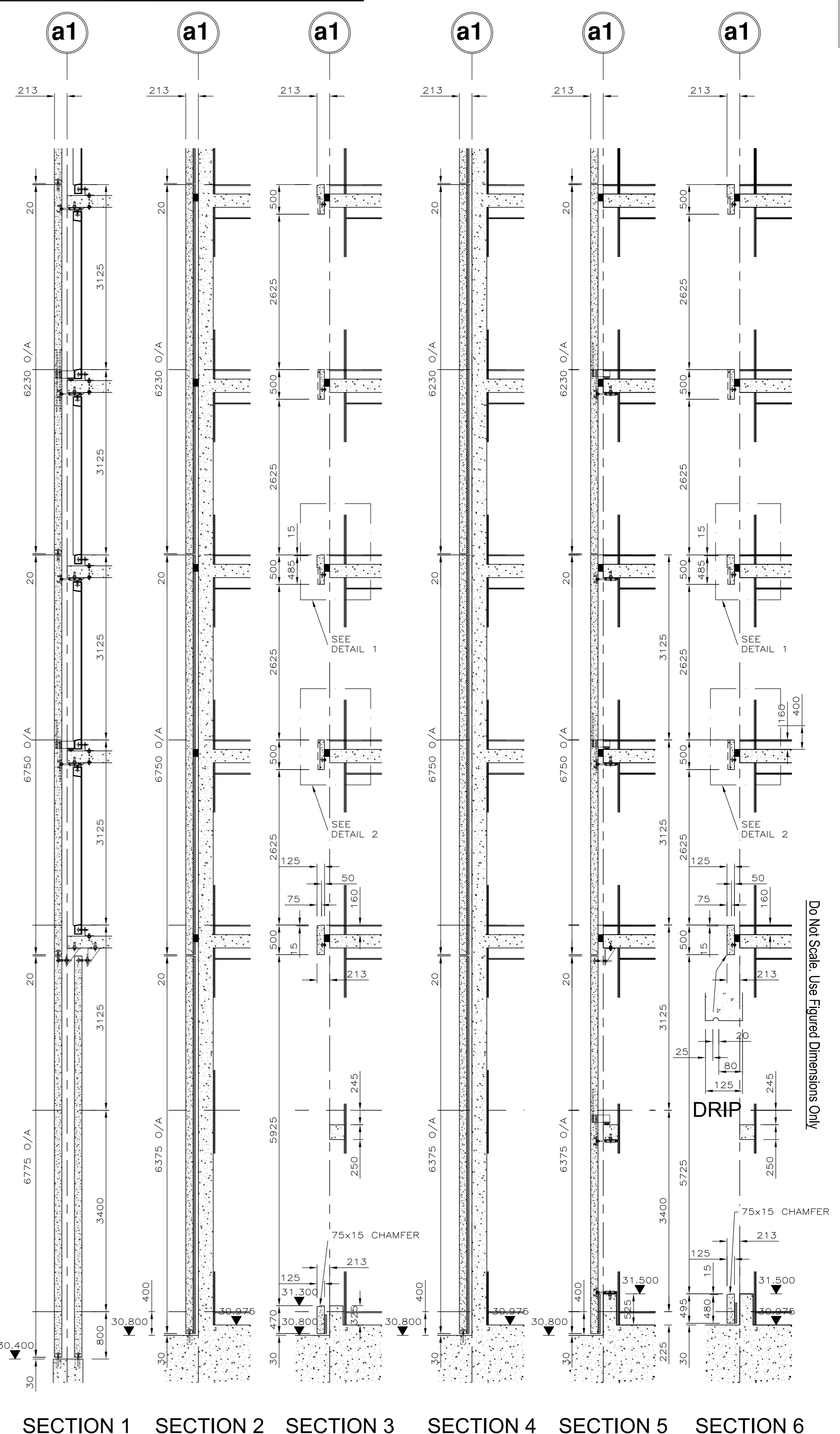
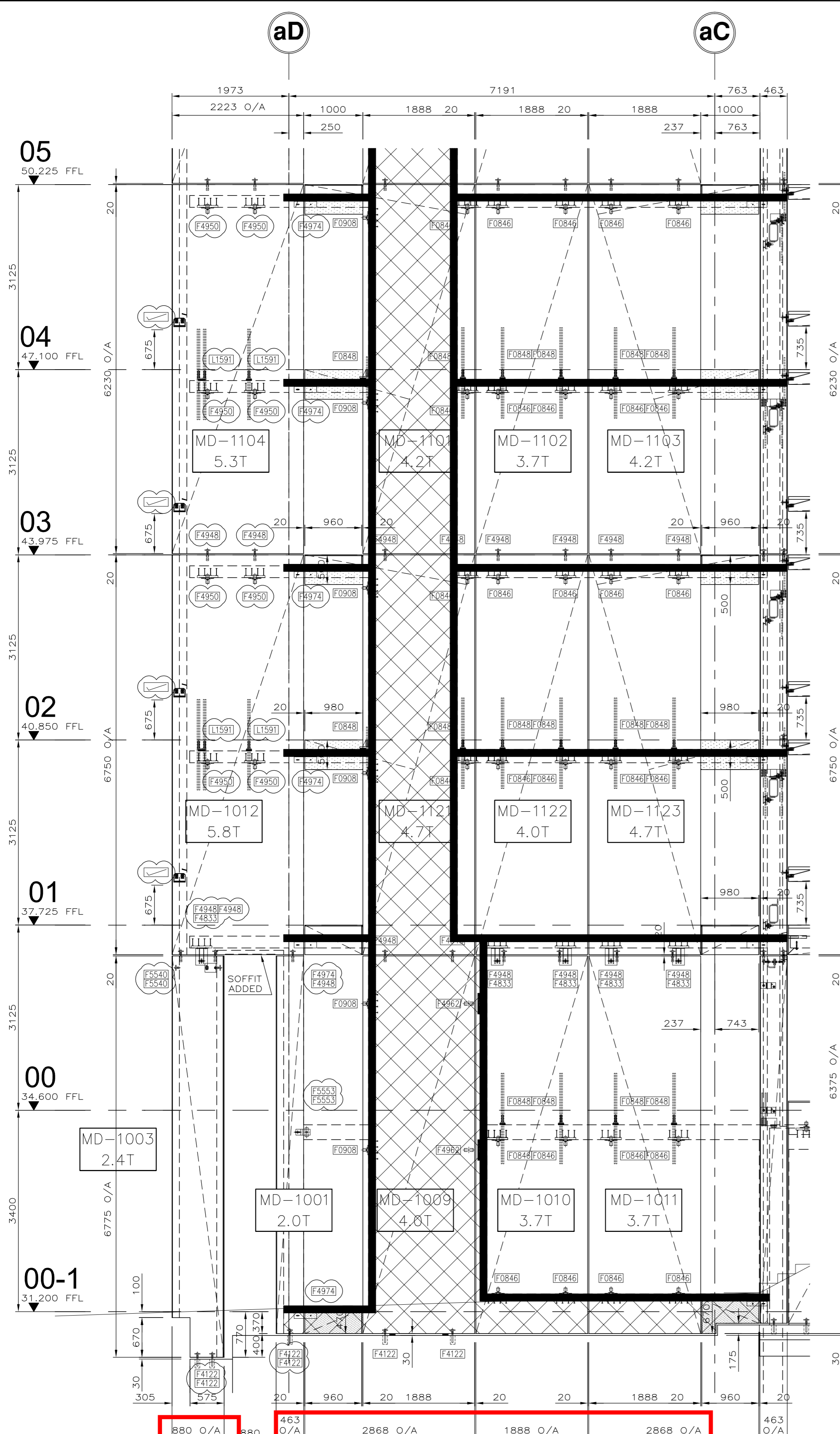
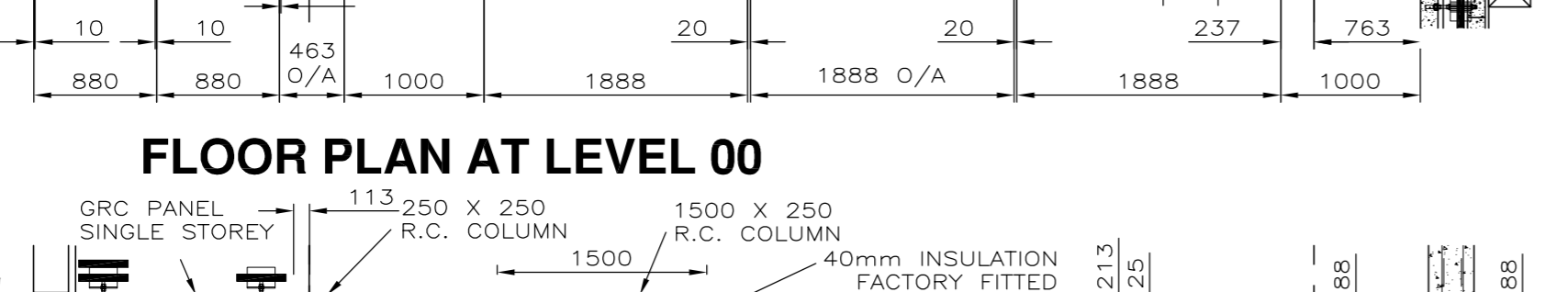
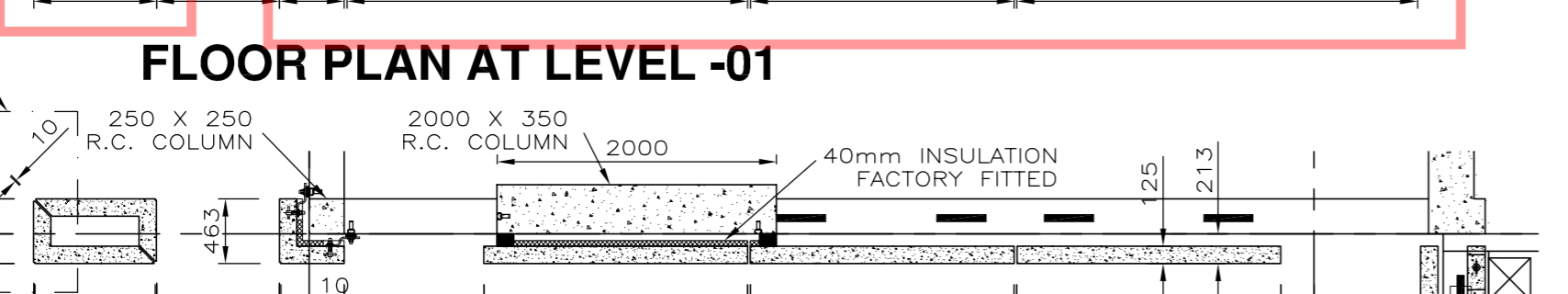
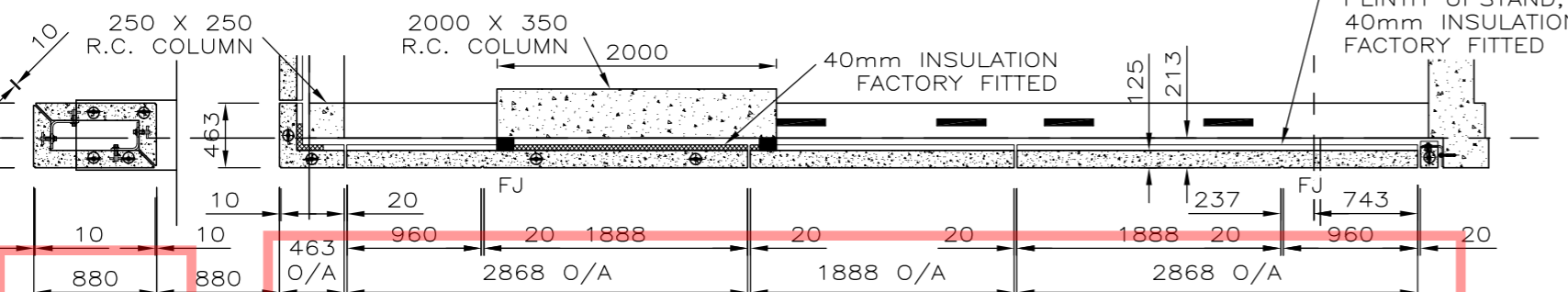


NOTE :- REPEATED LEVELS 05 TO 07, 07 TO 09, 09 TO 11, 11 TO 13, 13 TO 15, 15 TO 17 ALL PANELS AS LEVELS 03 TO 05

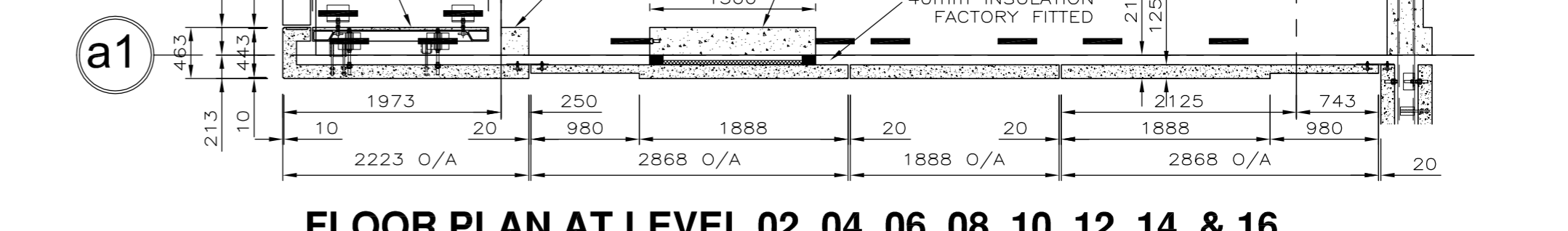


Do Not Scale. Use Figured Dimensions Only

PART NORTH ELEVATION LEVELS 00-1 TO 05



FLOOR PLAN AT LEVEL 02, 04, 06, 08, 10, 12, 14, & 16



FOR CONSTRUCTION

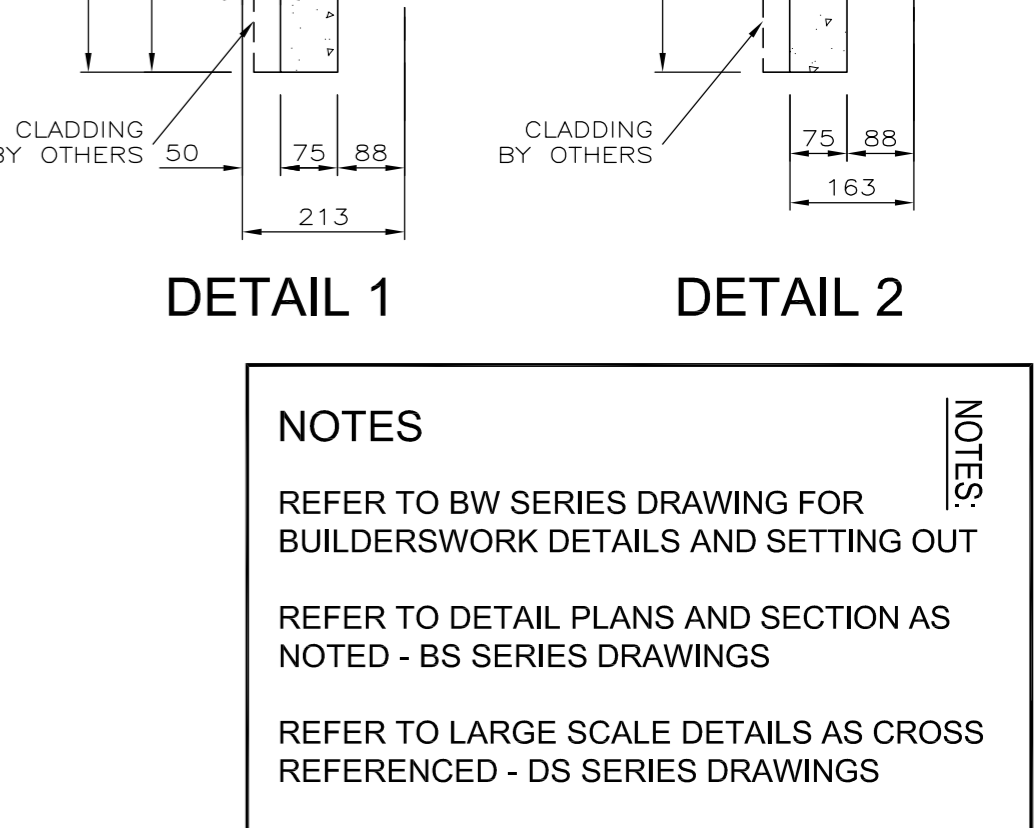
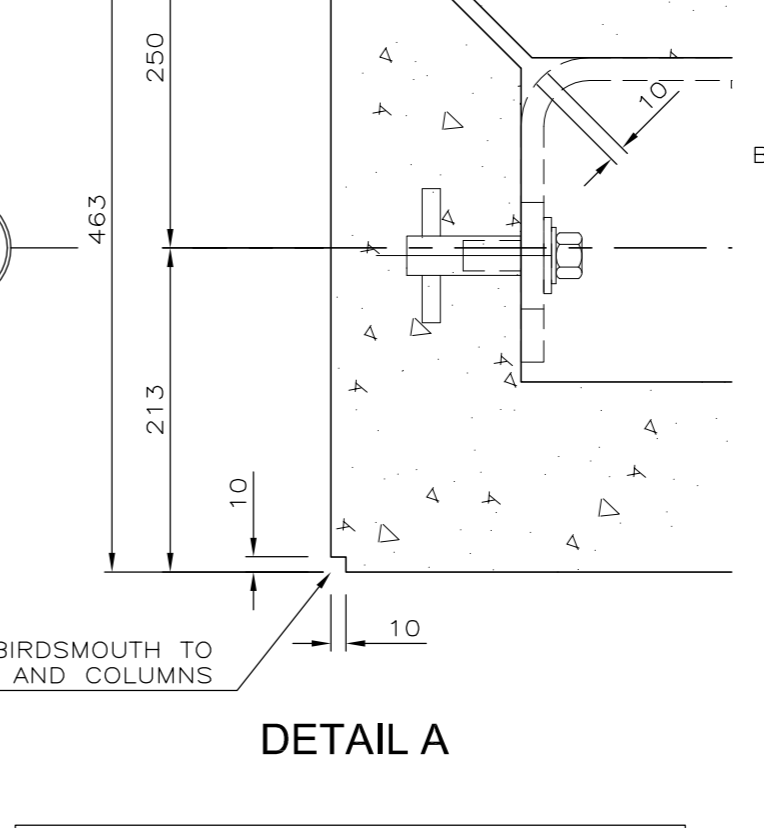
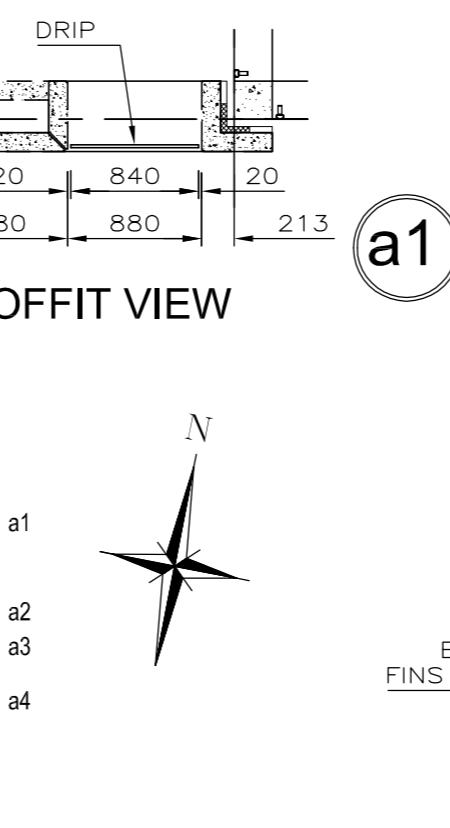
1328-TEC-BE-1001 C3

150 @ A1
1328-TEC-BE-1001 C3
Copyright 1997, Techrete (Pvt) Ltd

TECHRETE
Maiden Lane
Block A - Bay Elevation
Part North Elevation
Levels 00-1 to 5

PRP Architects
Maiden Lane
Block A - Bay Elevation
Part North Elevation
Levels 00-1 to 5

SC307 SELF COMPACTING
C190 LAE
C298/B25000 LAE



NOTES
REFER TO BW SERIES DRAWING FOR BUILDERSWORK DETAILS AND SETTING OUT
REFER TO DETAIL PLANS AND SECTION AS NOTED - BS SERIES DRAWINGS
REFER TO LARGE SCALE DETAILS AS CROSS REFERENCED - DS SERIES DRAWINGS
REFER TO ID SERIES DRAWINGS FOR TYPICAL INSULATION, FIRESTOP & MASTIC DETAILS