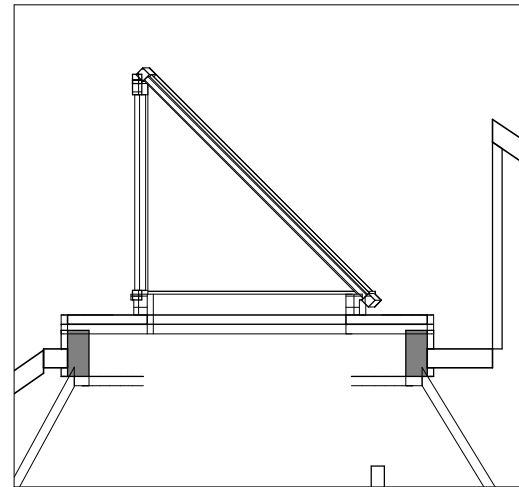
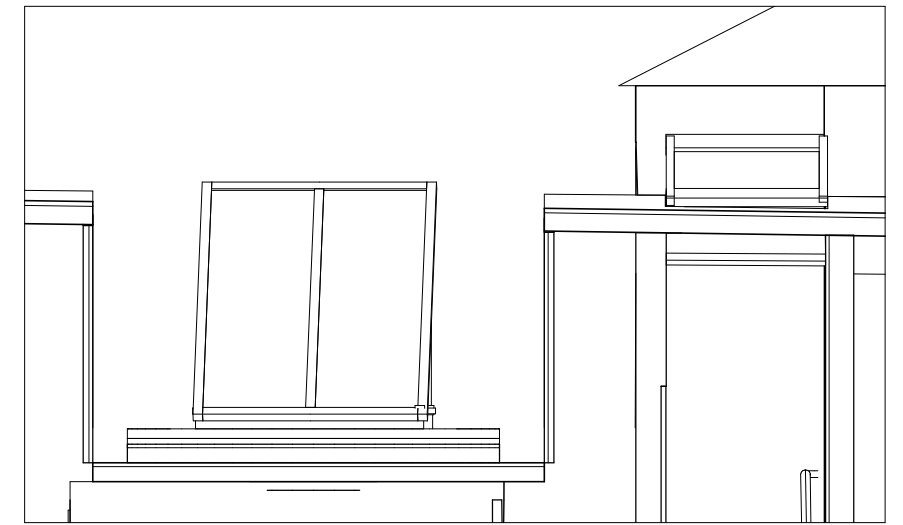


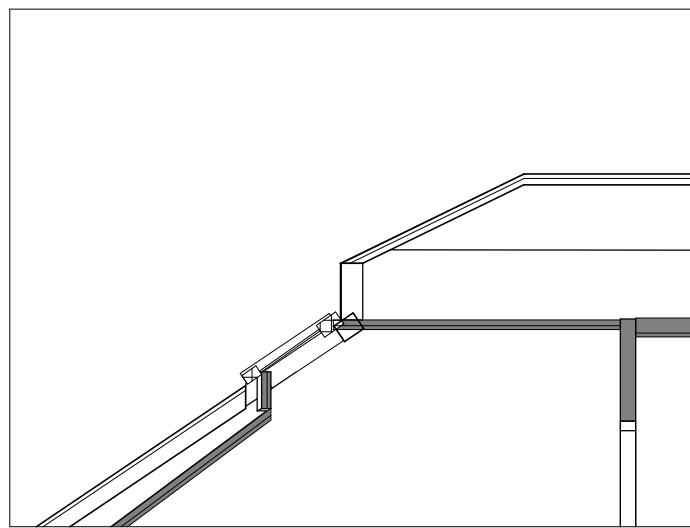
1 Roof Sky Light 2 & 3 Plan 1.6.1
1 : 20



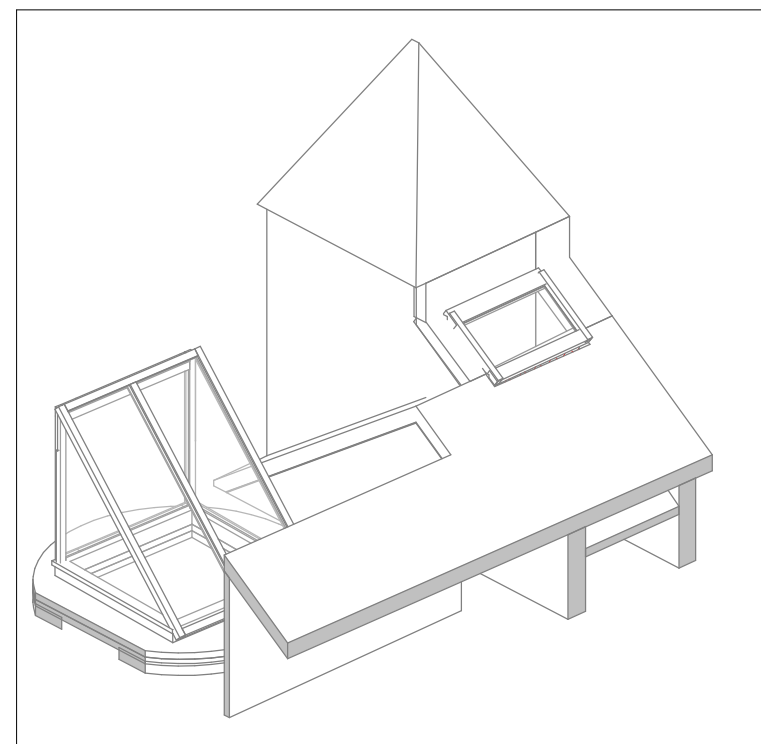
2 Section 1.6.2
1 : 20



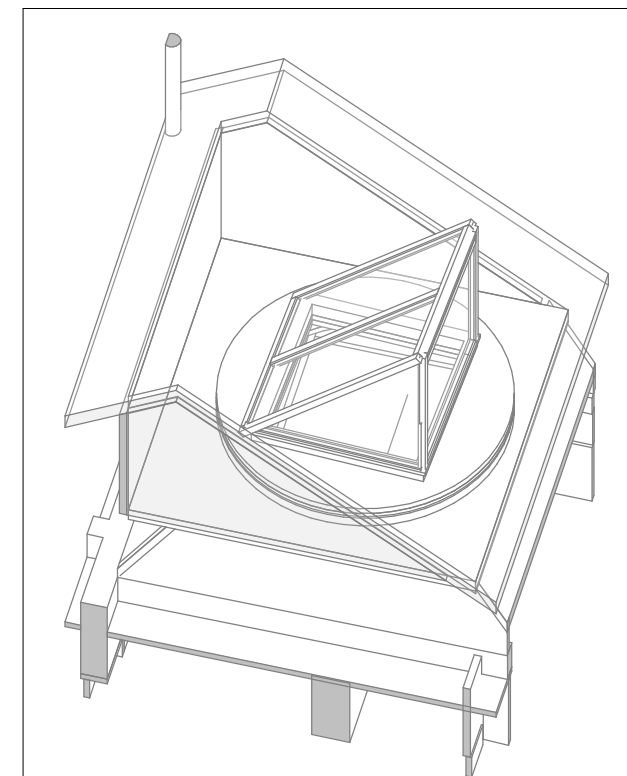
3 Section 1.6.3
1 : 20



4 Section 1.6.4
1 : 20



5 3D View 1.6-5



6 3D View 1.6-1

Notes
 G.1 This drawing is to be read in conjunction with all relevant Architects and Engineers drawings and specifications.
 G.2 Do not scale from a paper or digital version of this drawing. Use written or stated dimension only.
 G.3 For general notes refer to drawing 17/059/1.1
 This drawing is the copyright of Barton Engineers & may not be copied, altered or reproduced in any way or passed to a third party without their written Authority Status

Tender
 Not for Construction

Issues / Revisions
 P1 Issued for Comments 120218 WK
 T1 Issued for Tender 210218 WK

Barton Engineers

Studio 121, Westbourne Studios
 242 Acklam Road, London W10 5JJ
 telephone +44(0)20 7631 0348
 mail@bartonengineers.co.uk
 http://www.bartonengineers.co.uk

Project
28 Russell Square

Title
Roof Angled Skylight Sections

Scales
 1:20@A1

Designed by
Bob Barton
 Drawn by
Catherine Hide
 Drawing number
17/059/1.6
 Checked by
Bob Barton
 Rev.
T1