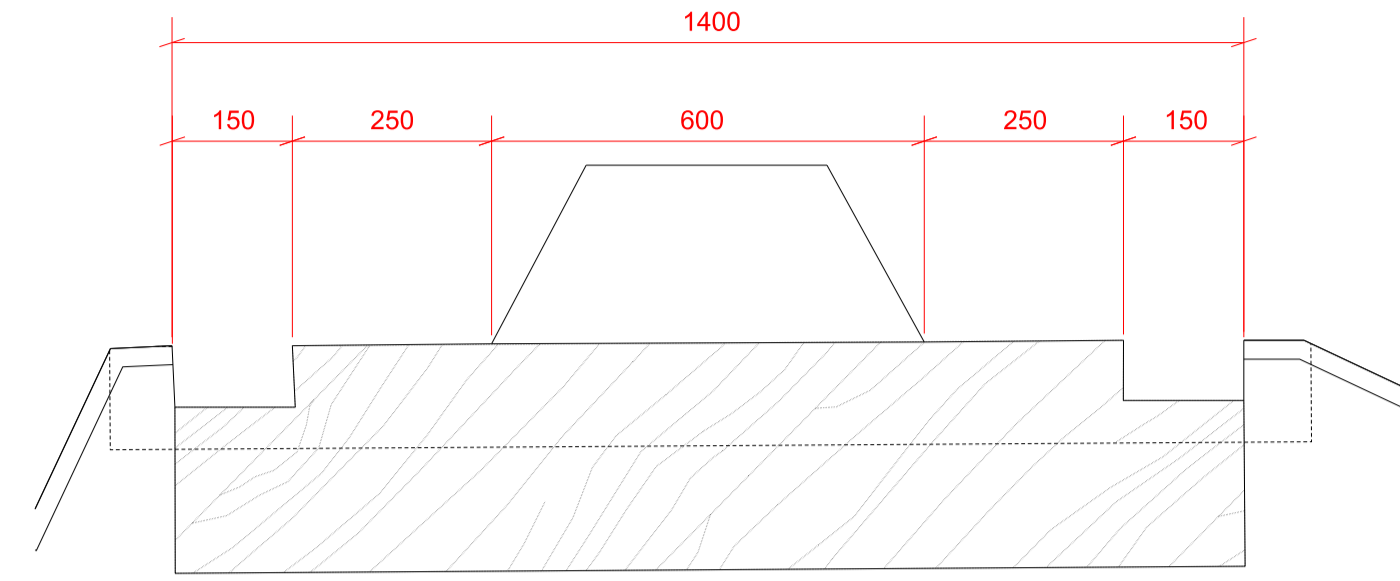
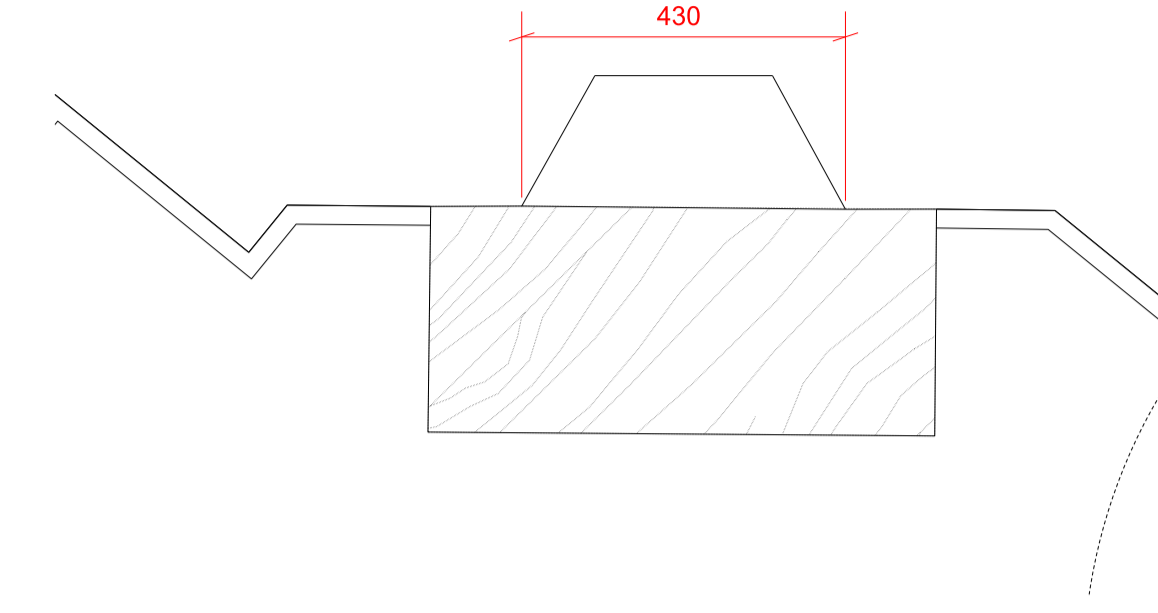


700\_503\_01 Fireplace H  
Bedroom II Fireplace Plan  
r2.03



700\_503\_05 Fireplace I  
Bedroom III Fireplace Plan  
r2.05



700\_503\_09 Fireplace J  
Bathroom Fireplace Plan  
r2.06

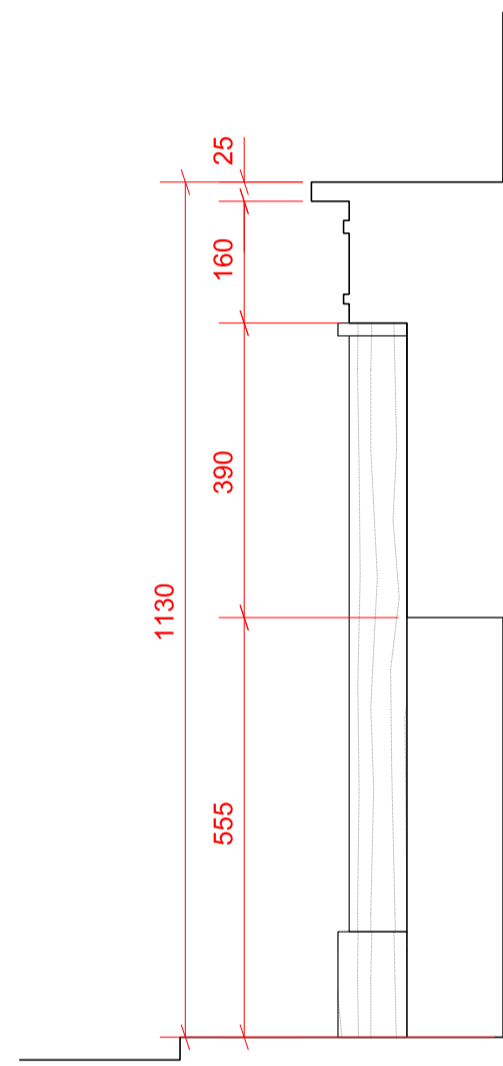
Key Plan: Ground Floor

Proposed Key

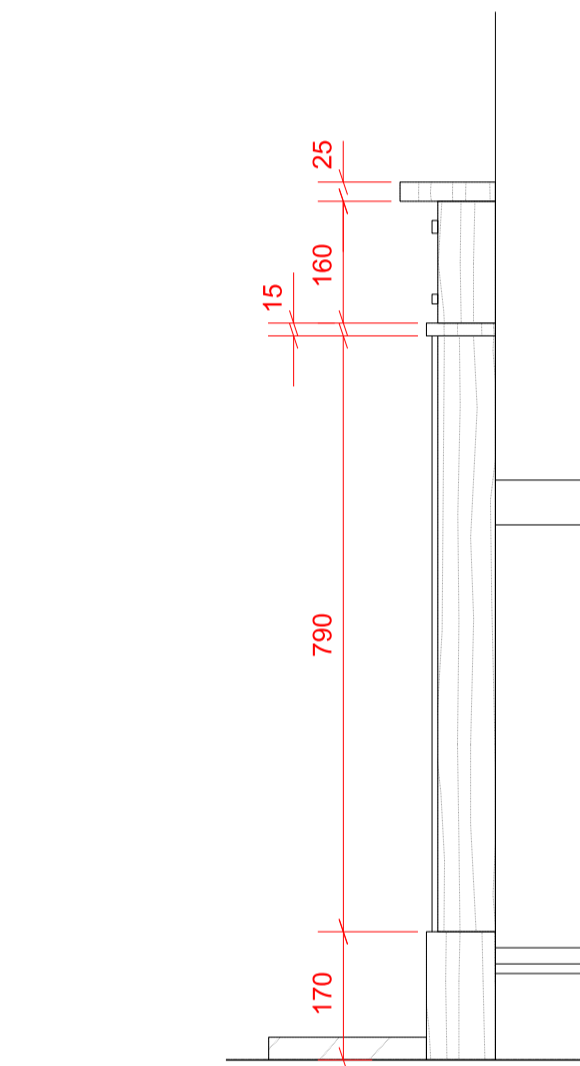
- Mantle
- Stone
- Tiles
- Timber
- Metal
- Timber Floor Finish
- Carpet

Notes: (Refer to Fireplace Schedule 800\_105)

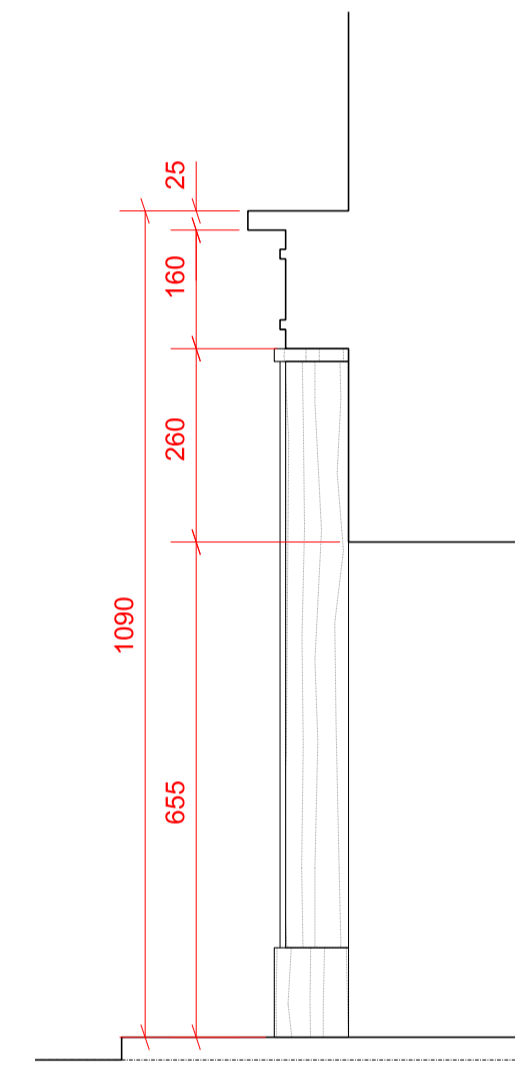
① Basket



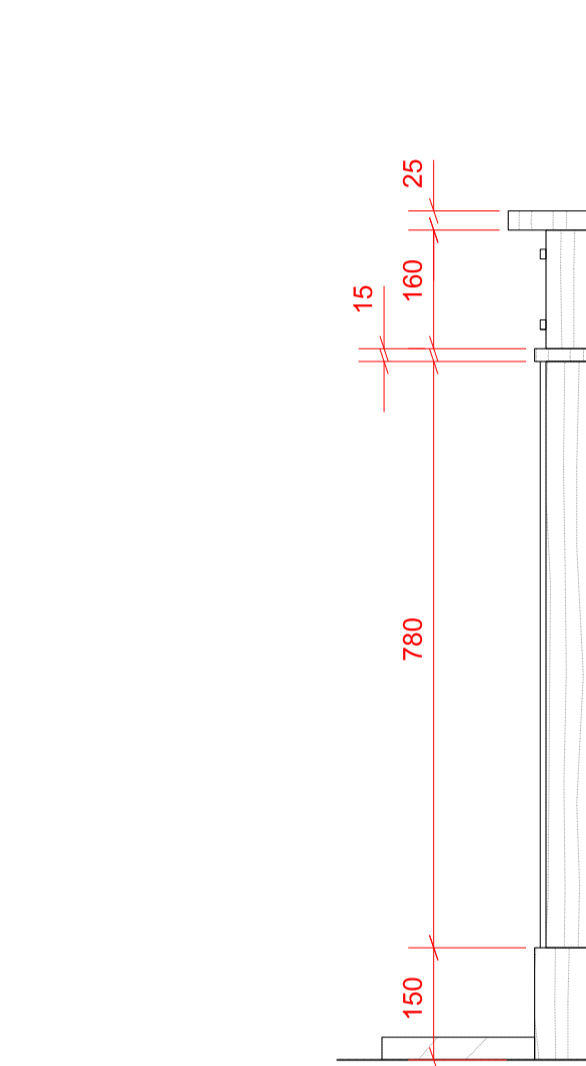
700\_503\_02 Fireplace H  
Bedroom II Fireplace Section  
r2.03



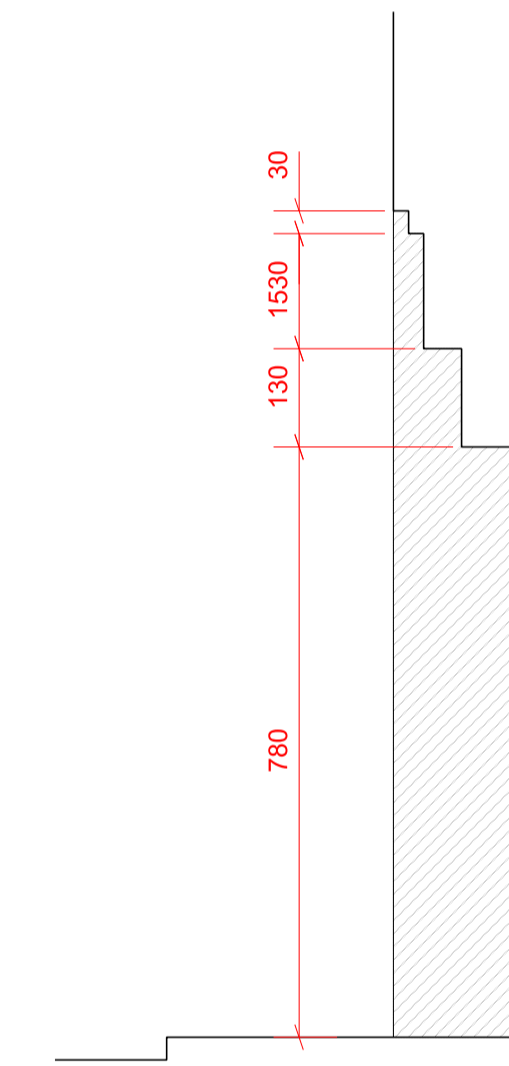
700\_503\_03 Fireplace H  
Bedroom II Fireplace Side Elevation  
r2.03



700\_503\_06 Fireplace I  
Bedroom III Fireplace Section  
r2.05



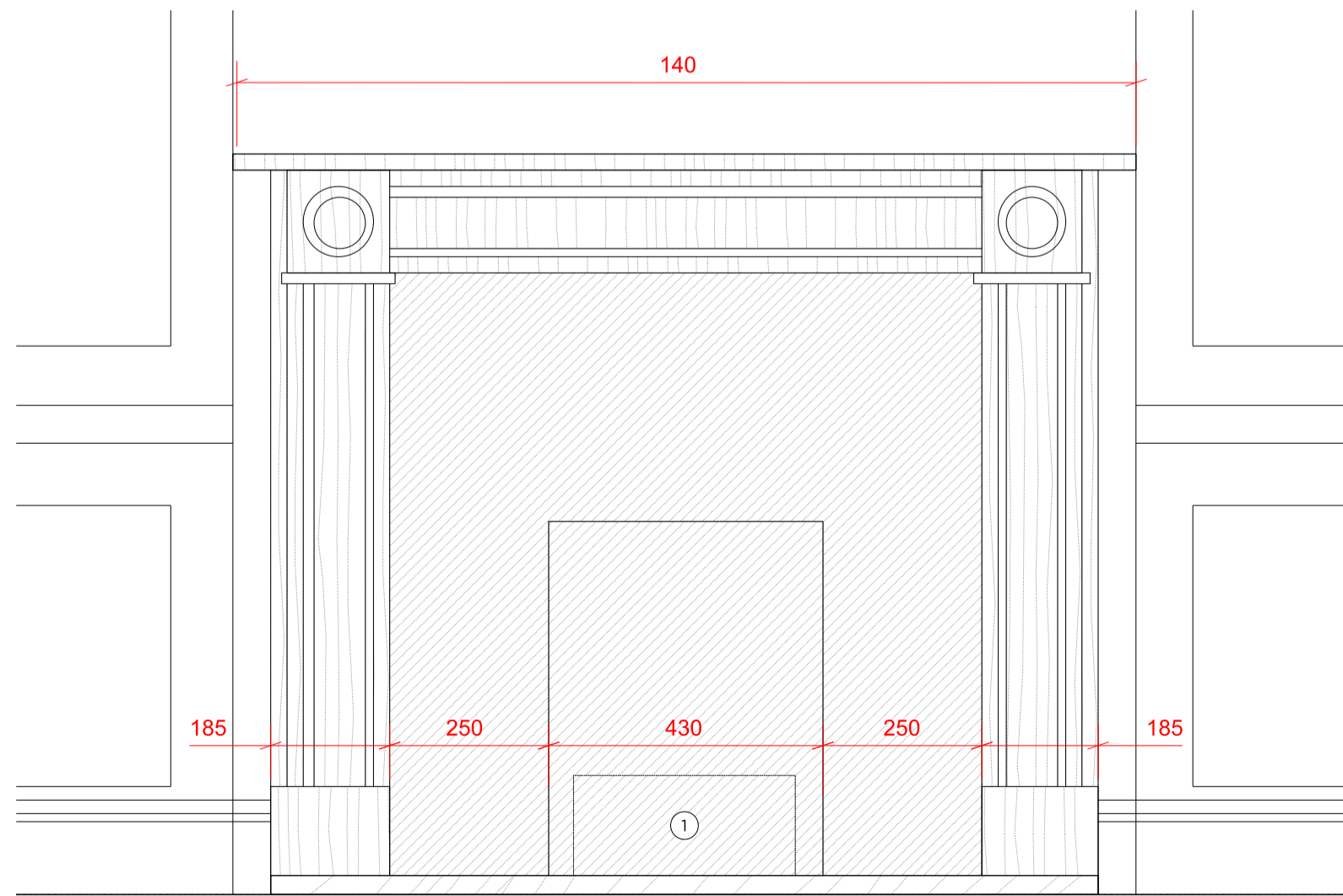
700\_503\_07 Fireplace I  
Bedroom III Fireplace Side Elevation  
r2.05



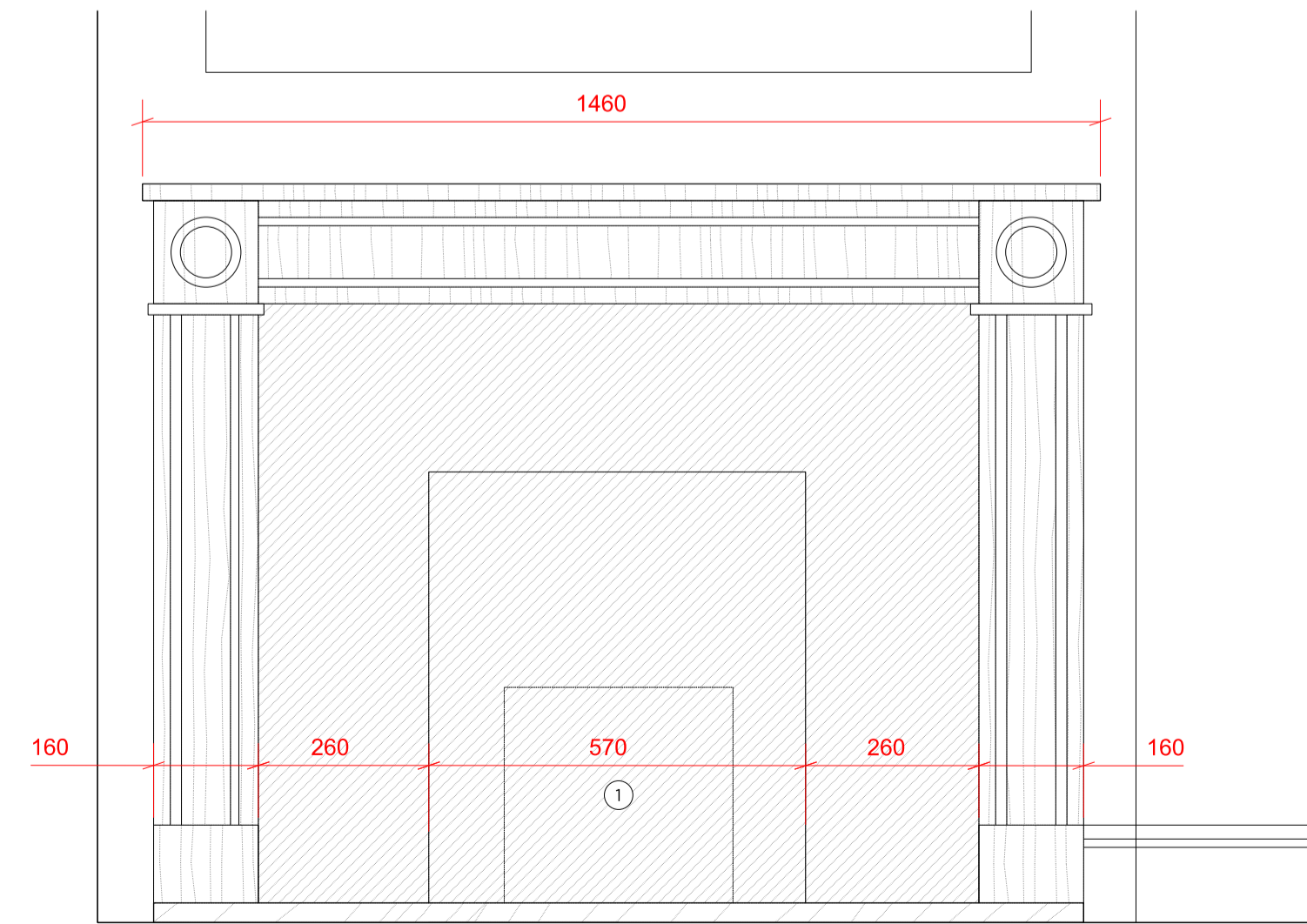
700\_503\_10 Fireplace J  
Bathroom Fireplace Section  
r2.06



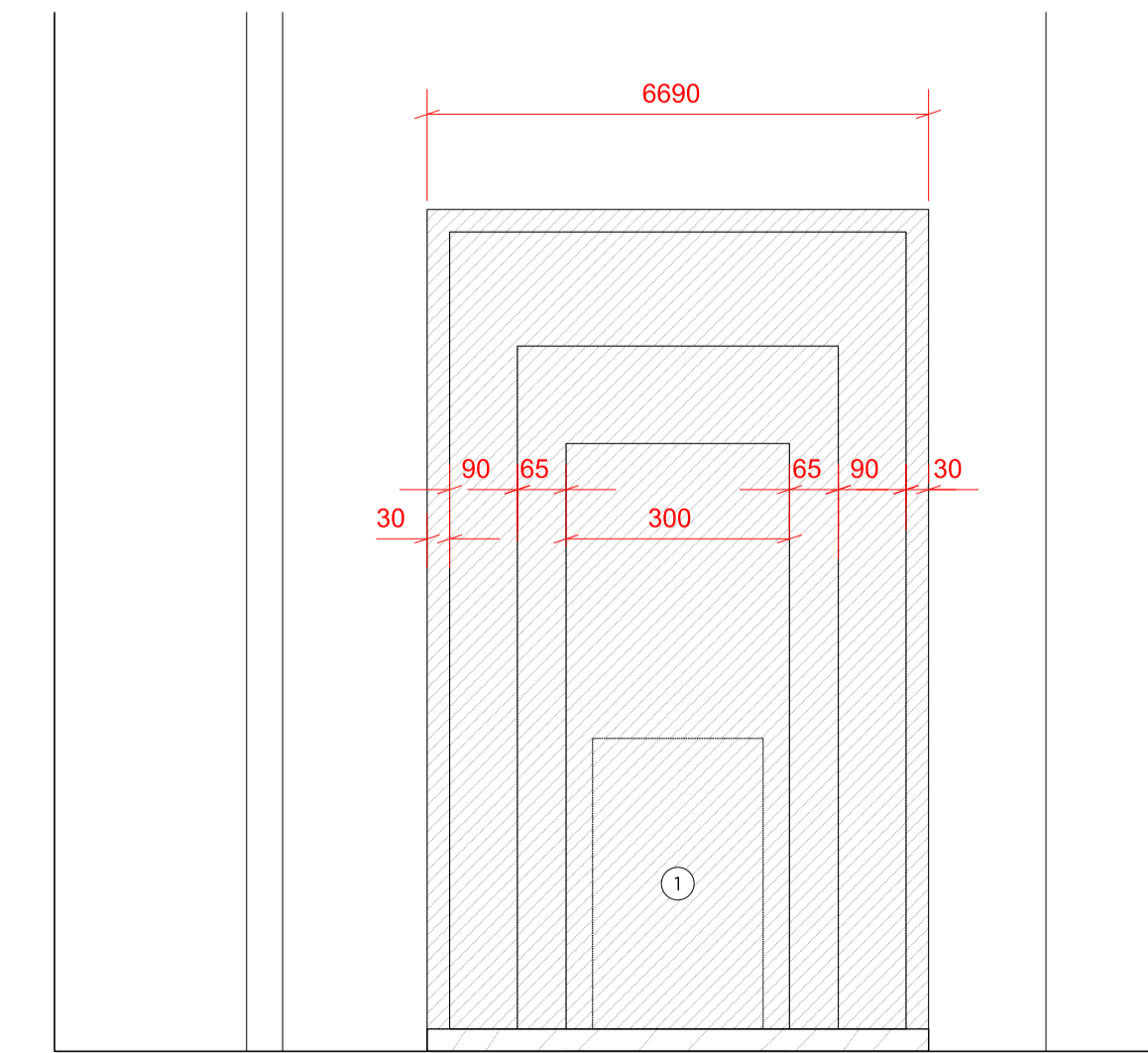
700\_503\_11 Fireplace J  
Bathroom Fireplace Side Elevation  
r2.06



700\_503\_04 Fireplace H  
Bedroom II Fireplace Front Elevation  
r2.03  
Existing fireback



700\_503\_08 Fireplace I  
Bedroom III Fireplace Front Elevation  
r2.05  
Existing basket & fireback



700\_503\_12 Fireplace J  
Bathroom Fireplace Front Elevation  
r2.06  
Existing fireback

Rev A 16.03.18 Issued for Planning

# PLANNING

Project No. 17103  
Client GFZ Investments Ltd.  
Date January 2018  
Scale 1:10 @ A1  
Project 34 Great James Street  
Drawing Title: Second Floor Fireplaces  
Drawing No. 700\_503 Rev. A  
Drawn RH Approved MW Signed



66 - 68 Margaret Street W1W 8SR T. 020 7580 9336 www.mwa.co.uk  
Copyright Marek Wojciechowski Architects. No implied license exists. This drawing should not be used to calculate areas for the purposes of valuation. All dimensions to be checked on site by the contractor and such dimensions to be their responsibility. Do not scale drawings. All work must comply with relevant British Standards and Building Regulations requirements. Drawing errors and omissions to be reported to the architect.