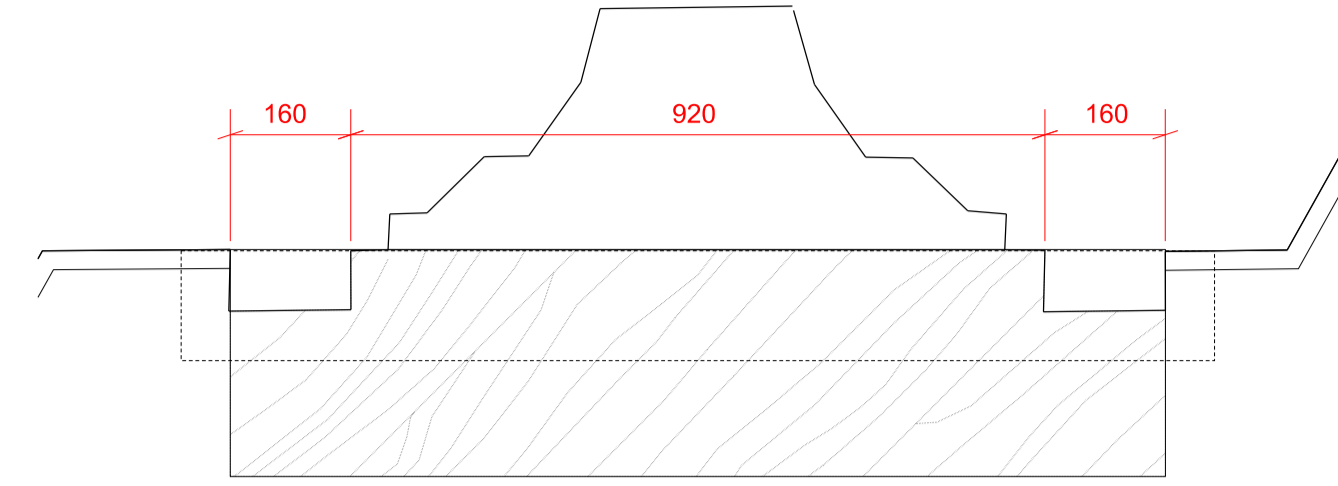
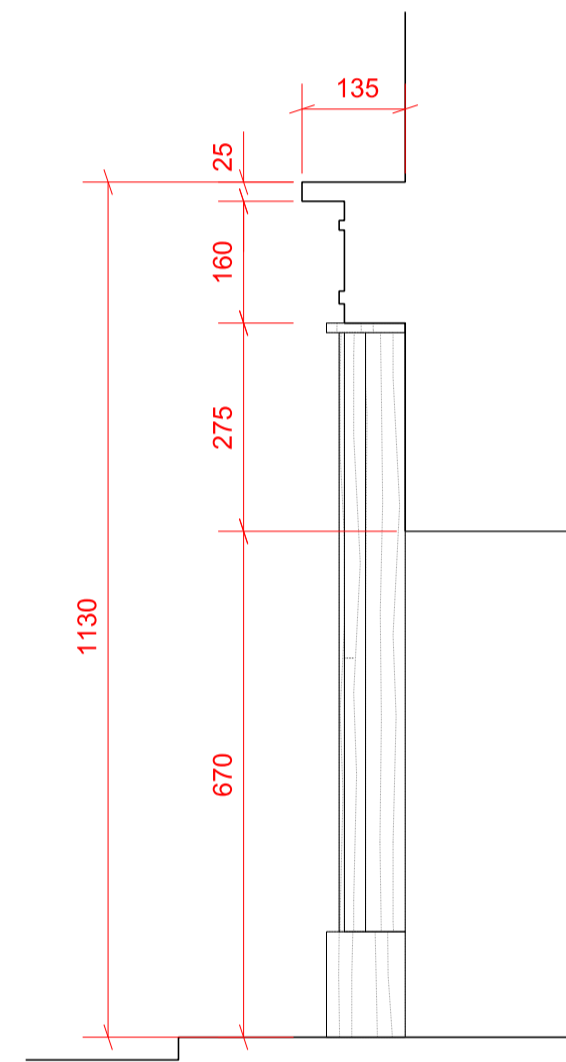


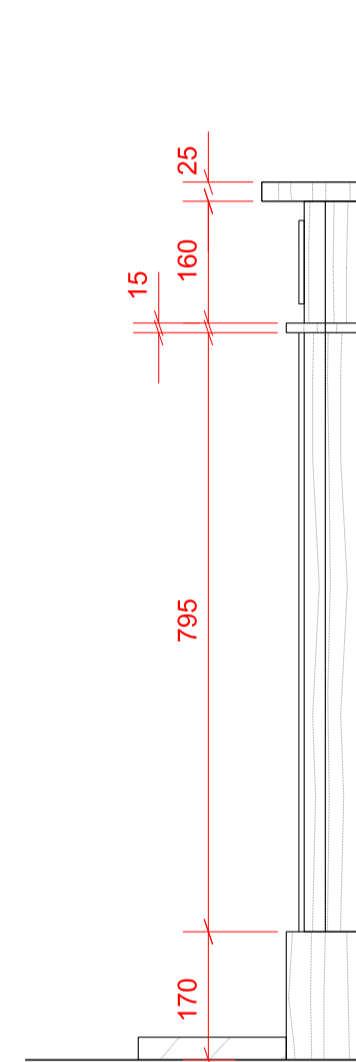
700_501
01 Fireplace C
Drawing Room Fireplace Plan
rG.02



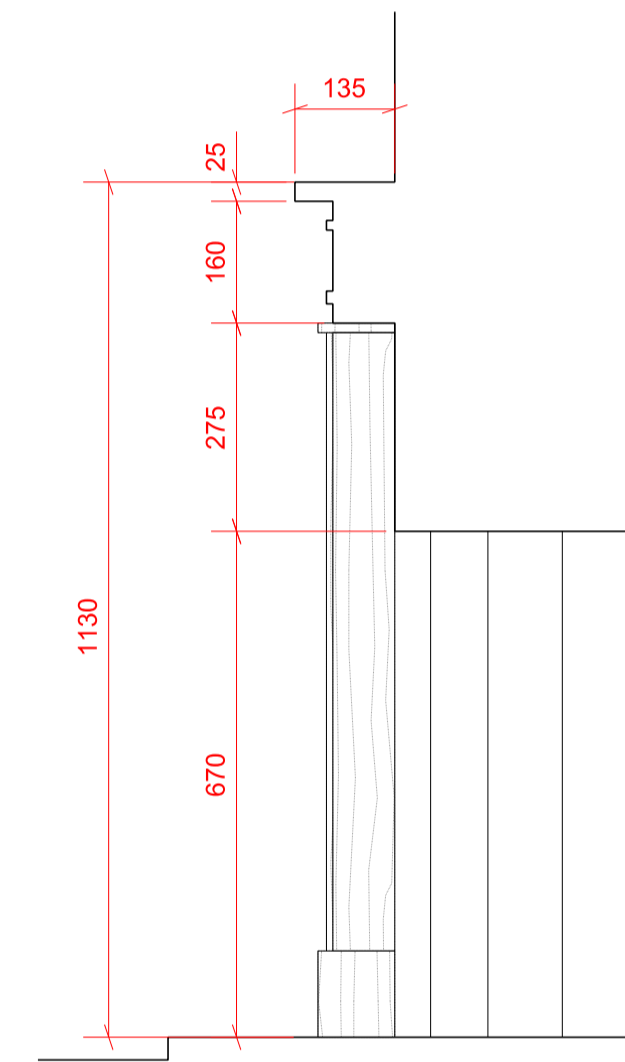
700_501
05 Fireplace D
Dining Room Fireplace Plan
rG.03



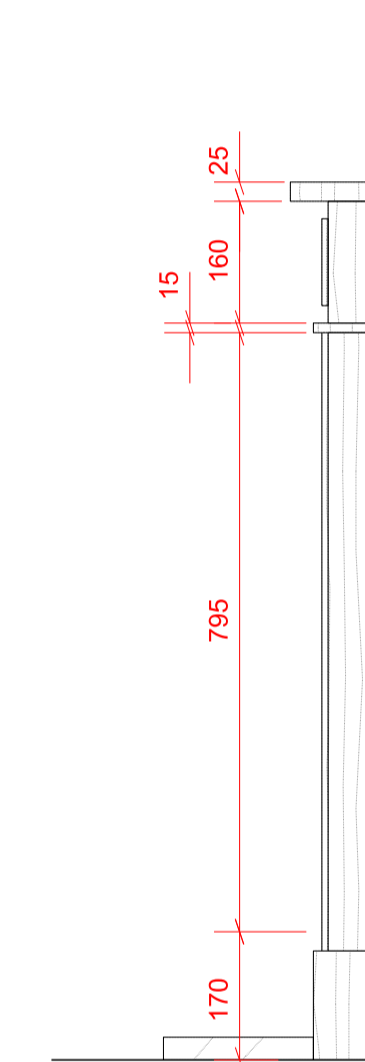
700_501
02 Fireplace C
Drawing Room Fireplace Section
rG.02



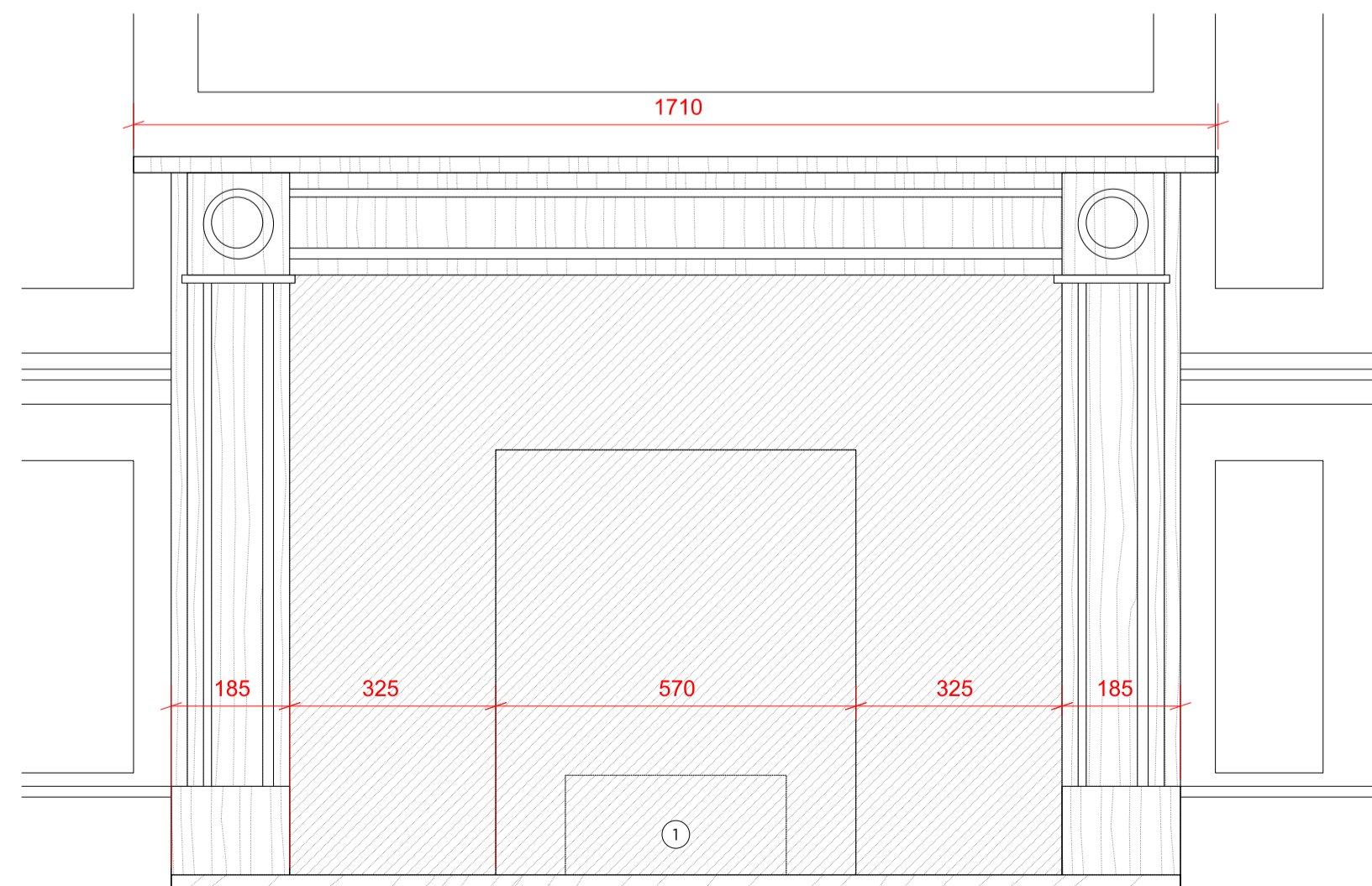
700_501
03 Fireplace C
Drawing Room Fireplace Side Elevation
rG.02



700_501
06 Fireplace D
Dining Room Fireplace Section
rG.03

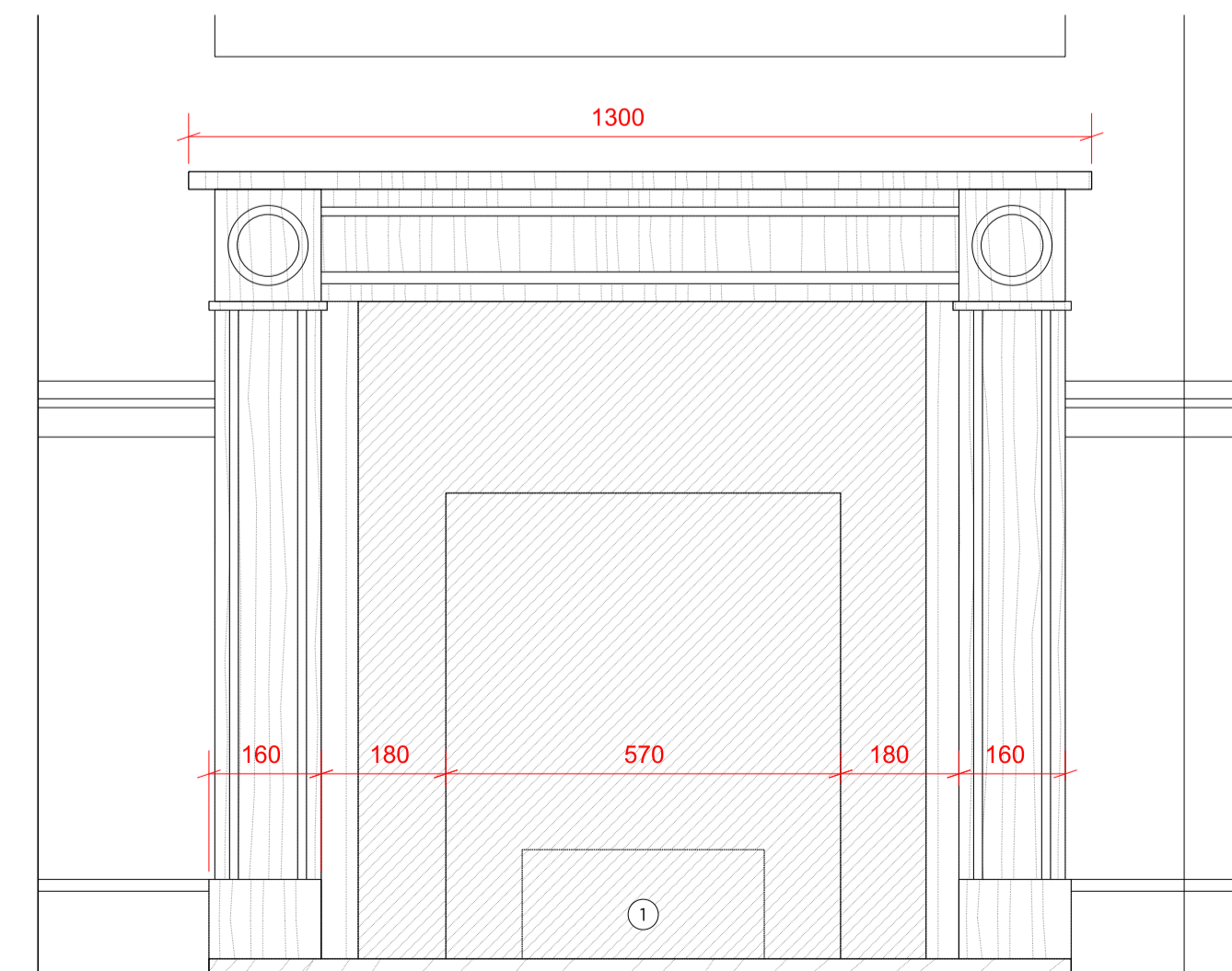


700_501
07 Fireplace D
Dining Room Fireplace Side Elevation
rG.03



700_501
04 Fireplace C
Drawing Room Fireplace Front Elevation
rG.02

Existing surround



700_501
08 Fireplace D
Dining Room Fireplace Front Elevation
rG.03

Existing surround, slip & basket

Key Plan: Ground Floor

Proposed Key

	Mantle		Metal
	Stone		Timber Floor Finish
	Tiles		Carpet
	Timber		

Notes: (Refer to Fireplace Schedule 800_105)

① Basket

Rev A 16.03.18 Issued for Planning

PLANNING

Project No. 17103
Client GFZ Investments Ltd.
Date January 2018
Scale 1:10 @ A1
Project 34 Great James Street
Drawing Title: Ground Floor Fireplaces
Drawing No. 700_501 Rev.
Drawn RH Approved MW Signed



66 - 68 Margaret Street W1W 8SR T. 020 7580 9336 www.mwa.co.uk

Copyright Marek Wojciechowski Architects. No implied license exists. This drawing should not be used to calculate areas for the purposes of valuation. All dimensions to be checked on site by the contractor and such dimensions to be their responsibility. Do not scale drawings. All work must comply with relevant British Standards and Building Regulations requirements. Drawing errors and omissions to be reported to the architect.