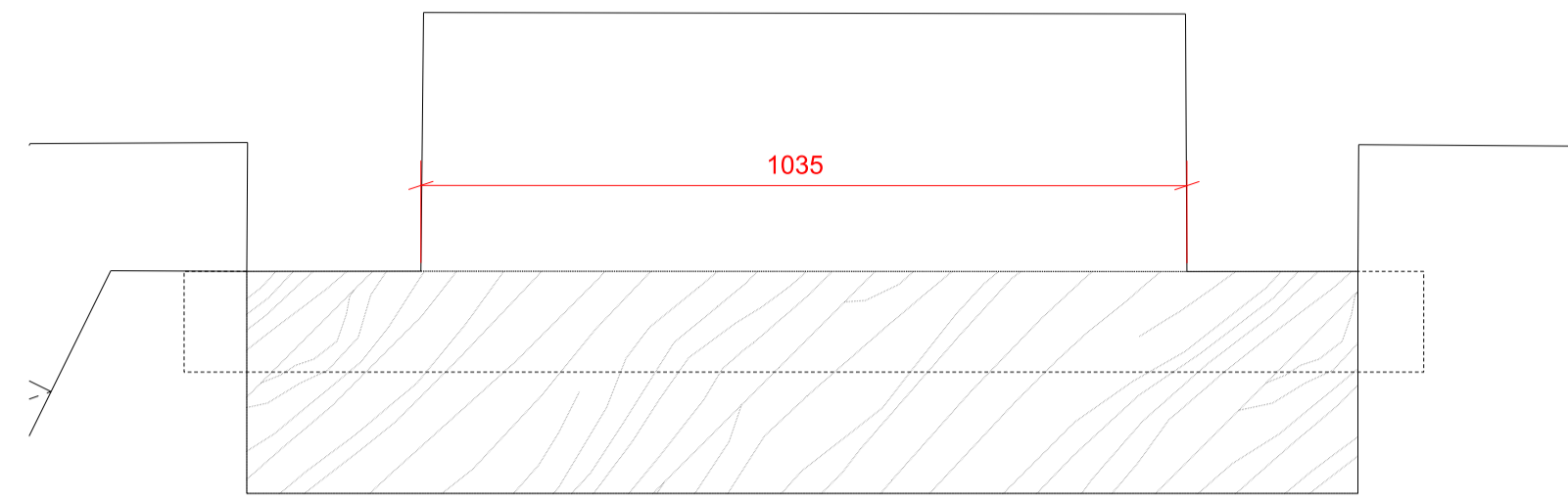
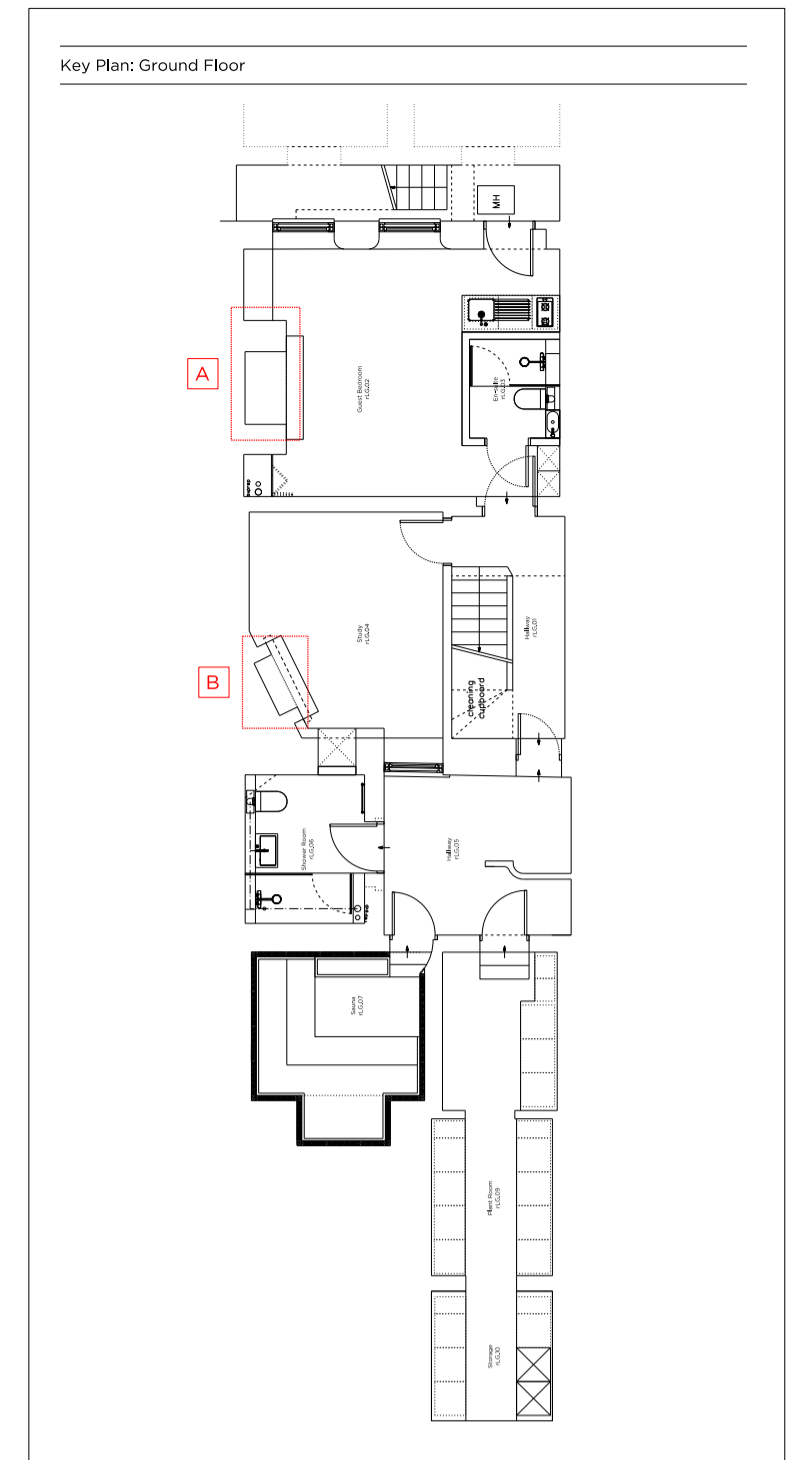


700_500 01 Fireplace A
Guest Bedroom Fireplace Plan
r.LG.02



700_500 05 Fireplace B
Study Fireplace Plan
r.LG.04

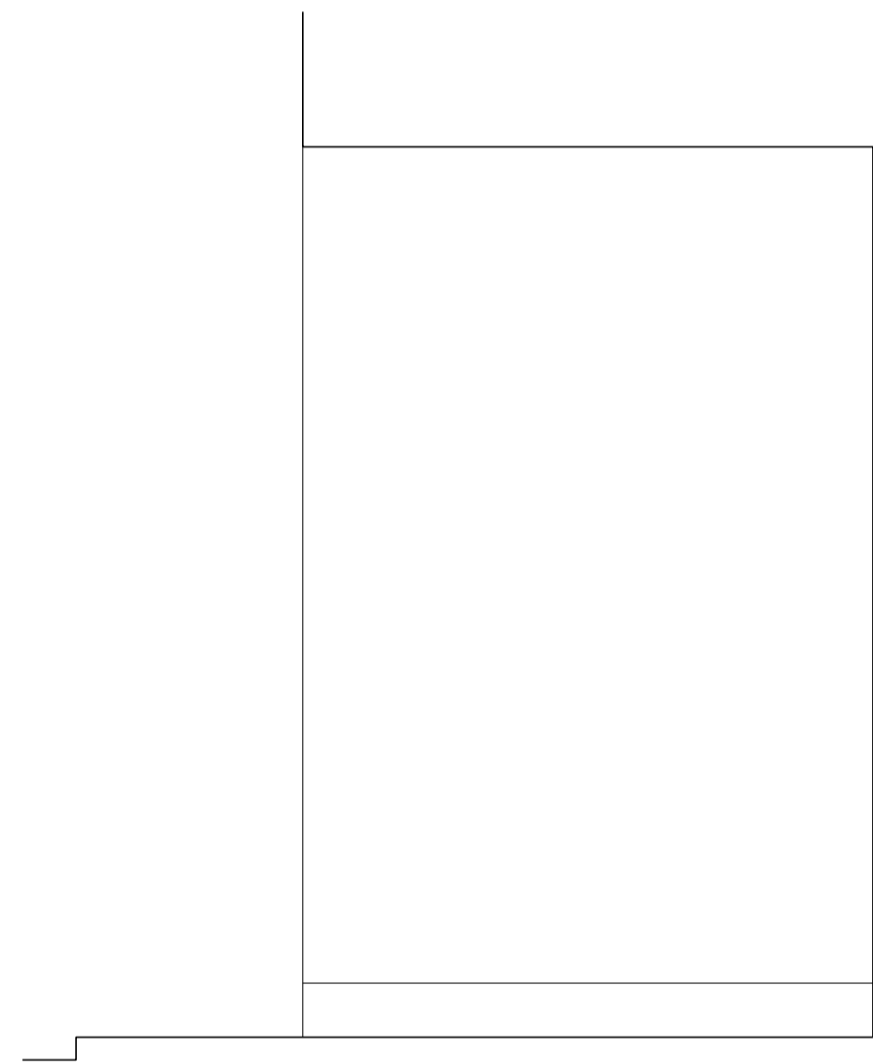


Proposed Key

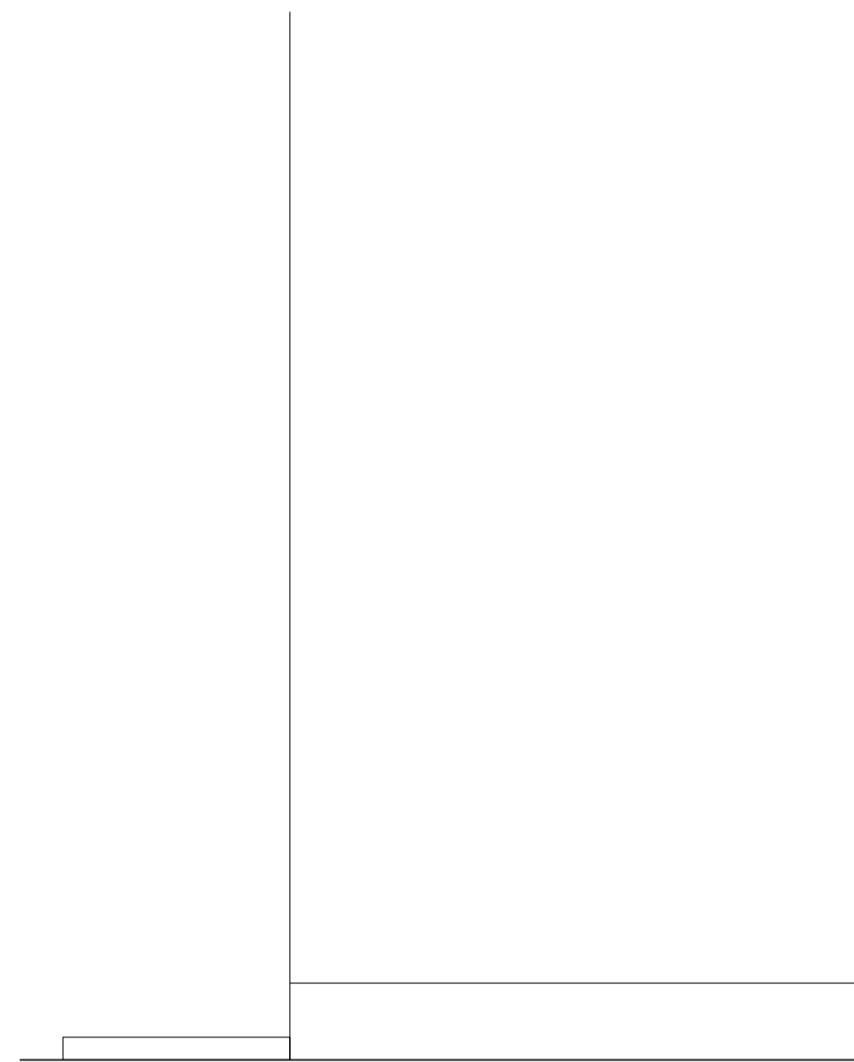
.....	Mantle		Metal
	Stone		Timber Floor Finish
	Tiles		Carpet
	Timber		

Notes: (Refer to Fireplace Schedule 800_105)

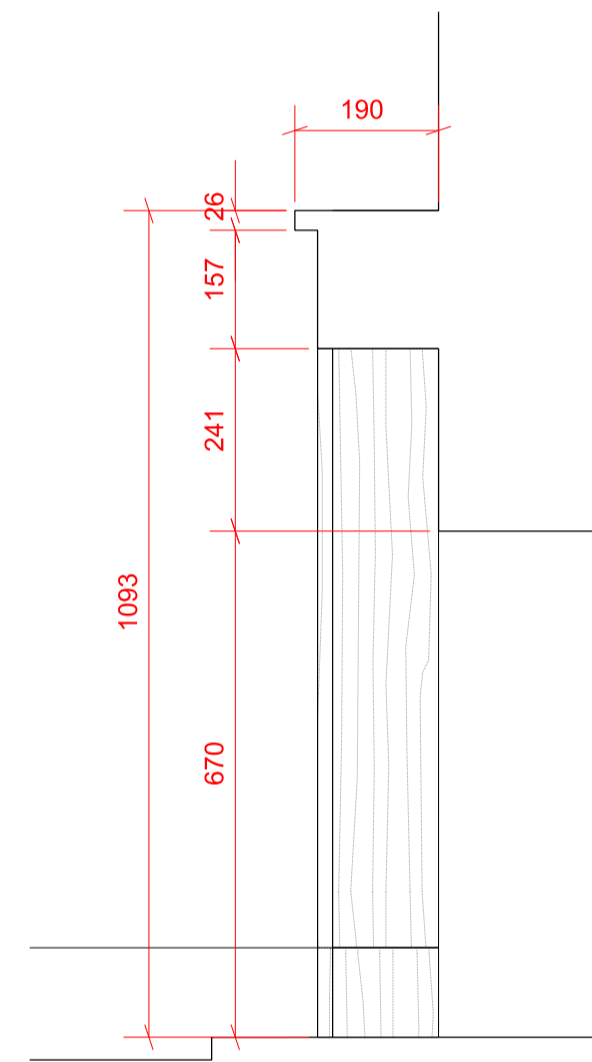
① Basket



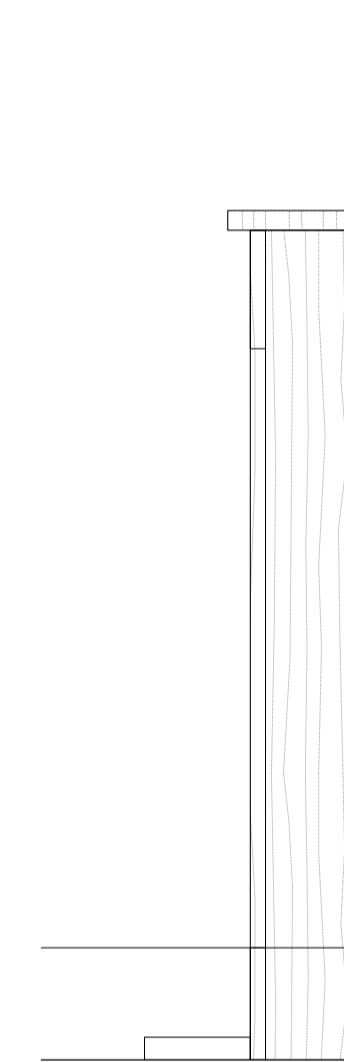
700_500 02 Fireplace A
Guest Bedroom Fireplace Section
r.LG.02



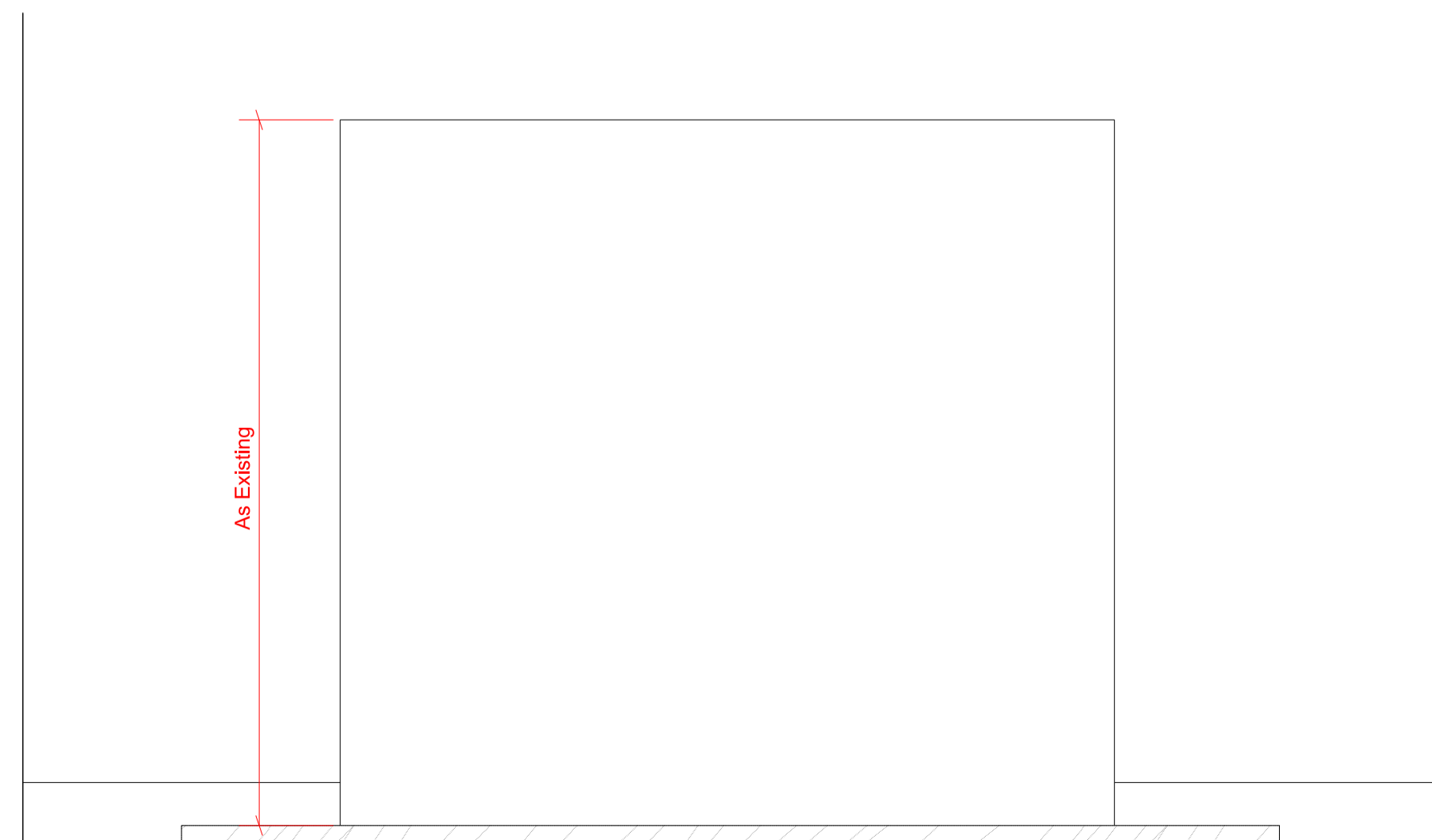
700_500 03 Fireplace A
Guest Bedroom Fireplace Side Elevation
r.LG.02



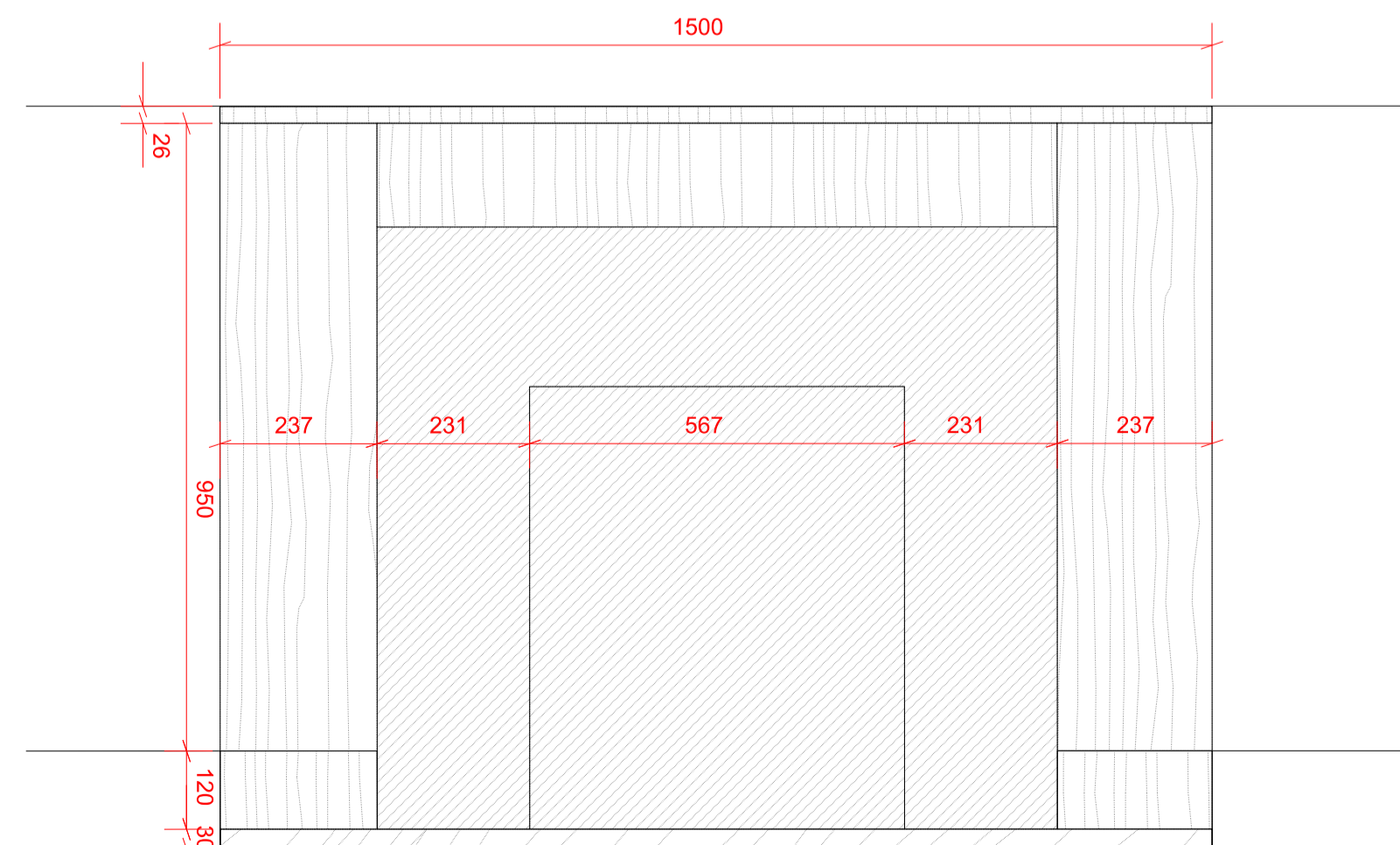
700_500 06 Fireplace B
Study Fireplace Section
r.LG.04



700_500 07 Fireplace B
Study Fireplace Side Elevation
r.LG.04



700_500 04 Fireplace A
Guest Bedroom Fireplace Front Elevation
r.LG.02



700_500 08 Fireplace B
Study Fireplace Front Elevation
r.LG.04

Rev A 16.03.18 Issued for Planning

PLANNING

Project No. 17103
 Client GFZ Investments Ltd.
 Date January 2018
 Scale 1:10 @ A1
 Project 34 Great James Street
 Drawing Title: LG Floor Fireplaces
 Drawing No. 700_500 Rev. A
 Drawn RH Approved MW Signed



66 - 68 Margaret Street WIV 8SR T. 020 7580 9336 www.mw-a.co.uk
 Copyright Marek Wojciechowski Architects. No implied license exists. This drawing should not be used to calculate areas for the purposes of valuation. All dimensions to be checked on site by the contractor and such dimensions to be their responsibility. Do not scale drawings. All work must comply with relevant British Standards and Building Regulations requirements. Drawing errors and omissions to be reported to the architect.