

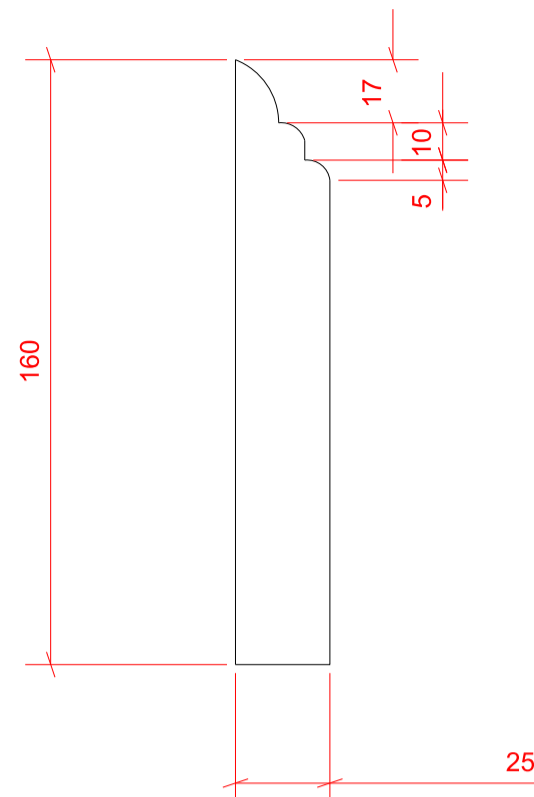
THIRD FLOOR

SECOND FLOOR

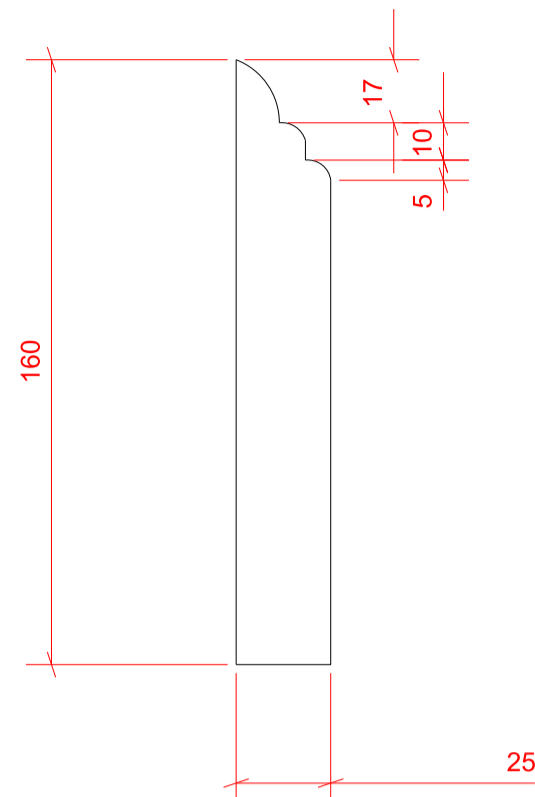
FIRST FLOOR

GROUND FLOOR

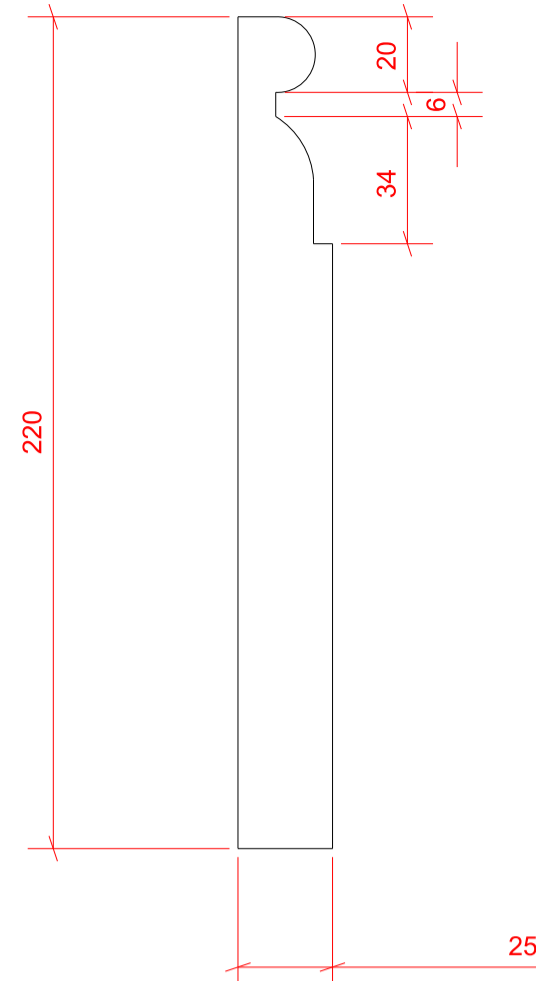
LOWER GROUND FLOOR



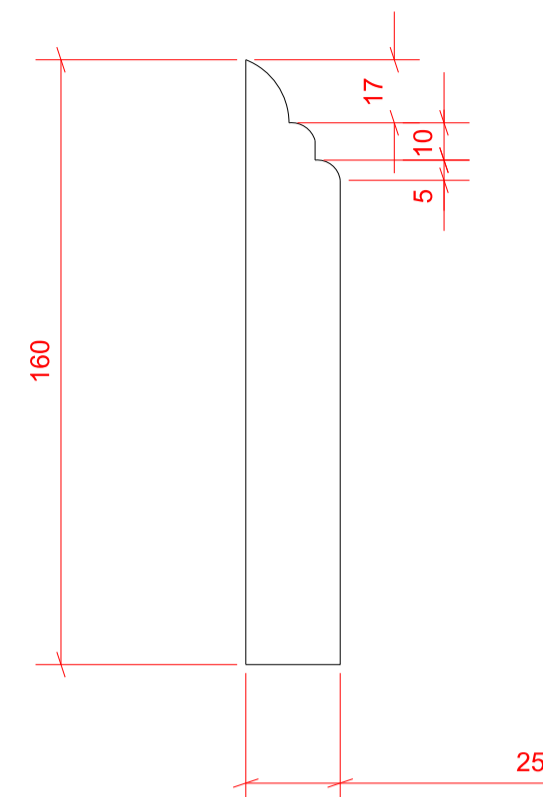
700_101 11
SKIRTING TYPE J
 Proposed skirting profile to base of panelling
 r3.01, scale 1:2



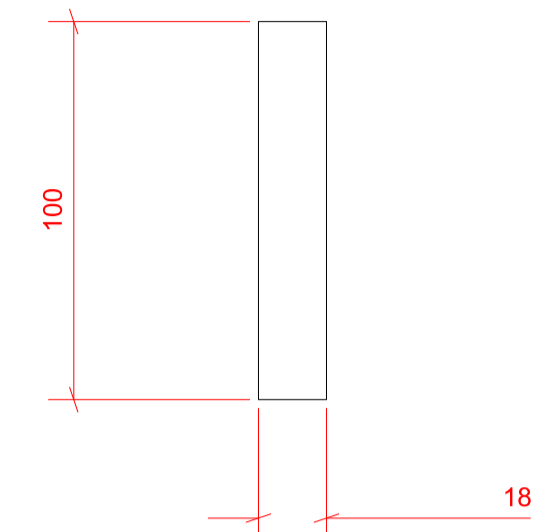
700_101 09
SKIRTING TYPE H
 Existing skirting profile
 r2.01, scale 1:2
 Proposed skirting profile to base of
 panelling to match existing



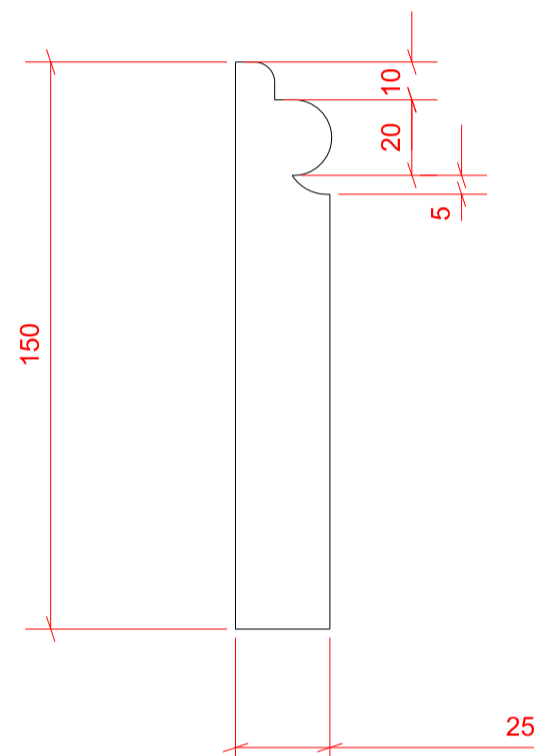
700_101 06
SKIRTING TYPE F
 Existing skirting profile to base of panelling
 r1.01, scale 1:2



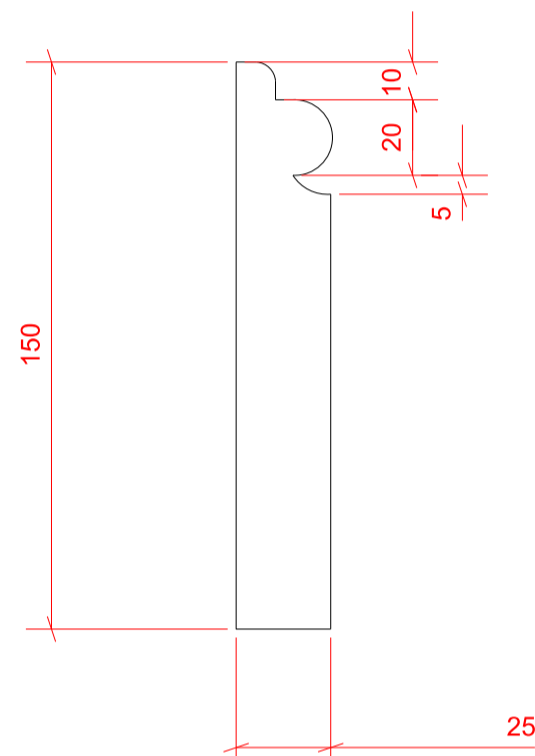
700_101 02
SKIRTING TYPE B
 Existing skirting profile to base of panelling
 rG.01 & rG.04 scale 1:2
 Proposed skirting profile to match existing



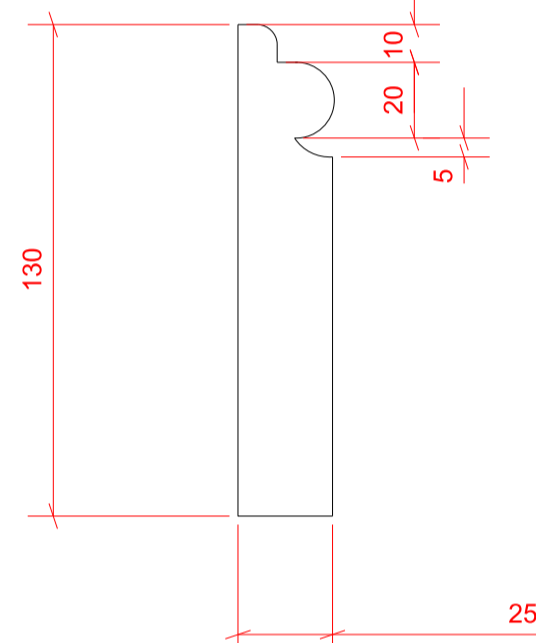
700_101 01
SKIRTING TYPE A
 Proposed skirting profile
 rL.G.01, rL.G.02, rL.G.04, rL.G.08 | Scale 1:2



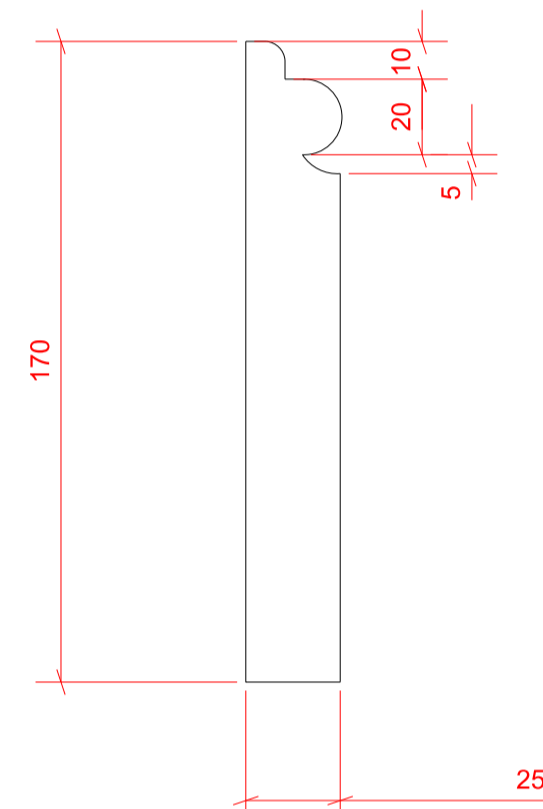
700_101 12
SKIRTING TYPE K
 Proposed skirting profile to base of panelling
 r3.02, r3.03, r3.04, r3.05, r3.06, scale 1:2



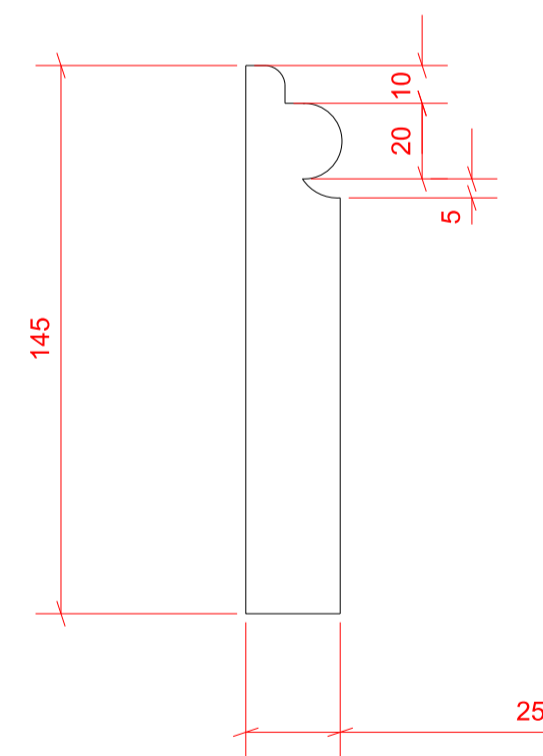
700_101 10
SKIRTING TYPE I
 Proposed skirting profile to base of panelling
 r2.02, r2.03, r2.04, r2.05, r2.06, scale 1:2



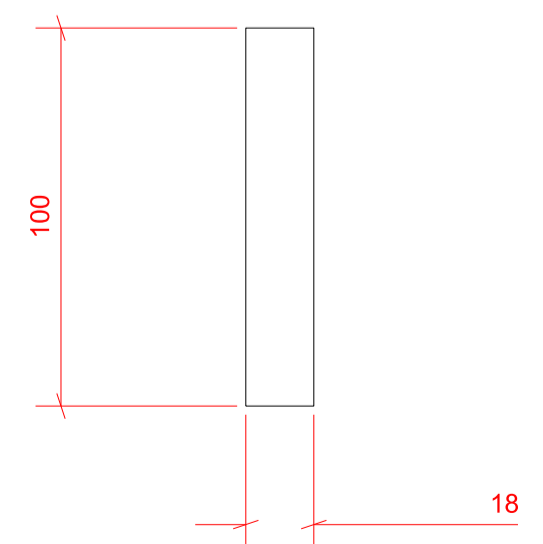
700_101 07
SKIRTING TYPE G
 Proposed skirting profile to base of panelling
 r1.02, r1.03 & rG.04 scale 1:2



700_101 03
SKIRTING TYPE C
 Existing skirting profile to base of panelling
 rG.02, scale 1:2



700_101 04
SKIRTING TYPE D
 Existing skirting profile to base of panelling
 rG.03, scale 1:2
 rG.05 proposed skirting profile to match existing



700_101 05
SKIRTING TYPE E
 Proposed skirting profile
 rG.06, scale 1:2

PLANNING

Project No. **17103**
 Client **GFZ Investments Ltd.**
 Date **January 2018**
 Scale **1:2 @ A1**
 Project **34 Great James Street**

Drawing Title: **Proposed Skirting Types**

| | | | |
|-------------|----------|--------|---|
| Drawing No. | 700_101 | Rev. | - |
| Drawn | Approved | Signed | |
| | MW | | |

