

Sign A
 1No. Double sided timber pictorial panel with steel gibbet including 900mm GK header panel. Illuminated by led trough lights.
Size : 900 x 1200mm, Projection - 1100mm. G/Cl - 5000mm. Depth 80mm.



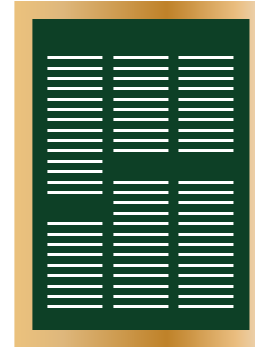
Sign B
 2No. Sets of individual timber letters to existing fascias. Illuminated by led trough lights.
Size : Letters - 350mm, span - 4113mm. G/Cl - 3715mm Depth 31mm..

THE OLD EAGLE

Sign D
 1No. Medium sized crown logo and letters. Illuminated by one led flood light.
Size : Span - 1100mm.



Sign E
 1No. A2 brass menu unit.
Size : 664 x 911mm. G/Cl - 1290mm Depth 50mm.



Sign F
 1No. Door plaque
Size : 300 x 195mm. G/Cl - 795mm, Depth - 20mm.



Sign C
 1No. Sets of individual timber letters to high level. Illuminated by two led flood lights.
Size : 290 letters - O/A area - 1320 x 1130mm. G/Cl - 6840mm, Depth 31mm.

THE OLD EAGLE

Sign H
 1No. Replacement timber chalk board.
Size : 3500 x 770mm. G/Cl - 275mm, Depth - 40mm.



Sign I
 1No. Replacement timber chalk board.
Size : 2900 x 770mm. G/Cl - 0180mm, Depth - 40mm.



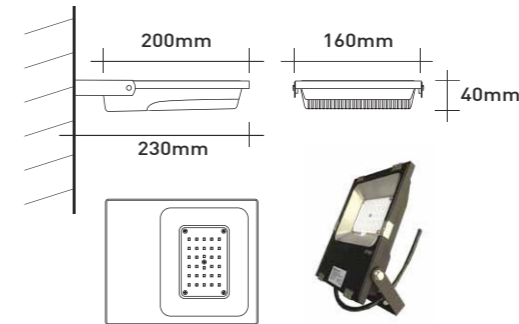
Sign J
 1No. Replacement timber chalk board.
Size : 1180 x 770mm. G/Cl - 125mm, Depth - 40mm.



Sign K
 1No. Replacement timber chalk board.
Size : 2900 x 770mm. G/Cl - 80mm, Depth - 40mm.



Sign L
 7No. Low energy led flood lights.
 G/Cl - 6625, 8865, 9770 & 9630mm.



Not to scale



BLACK

PANELS



RAL 6005

GK SIGNS



GOLD

LETTERS



RAL 9002

LETTERS

NB: PLEASE ALWAYS REFER TO ACTUAL PAINT REFERENCES FOR AN ACCURATE COLOUR MATCH.

THIS DOCUMENT IS THE PROPERTY OF INSIGNIA SIGNS & SERVICES LTD. WHO OWN THE COPYRIGHT THEREIN.

THE INFORMATION IN THIS DOCUMENT IS GIVEN IN CONFIDENCE AND WITHOUT THE WRITTEN PERMISSION OF INSIGNIA SIGNS & SERVICES LTD.

GIVEN BY CONTRACT OR OTHERWISE THE DOCUMENT MUST NOT BE COPIED, REPRINTED OR REPRODUCED IN ANY MATERIAL FORM EITHER WHOLLY OR IN PART NOR MUST THE CONTENTS OF THE DOCUMENT OR ANY METHOD OR TECHNIQUE AVAILABLE THERE FROM BE DISCLOSED TO ANY THIRD PARTY.



INSIGNIA
SIGNS & SERVICES

STAND OUT FROM THE CROWD

PLANNING
SITE DETAILS

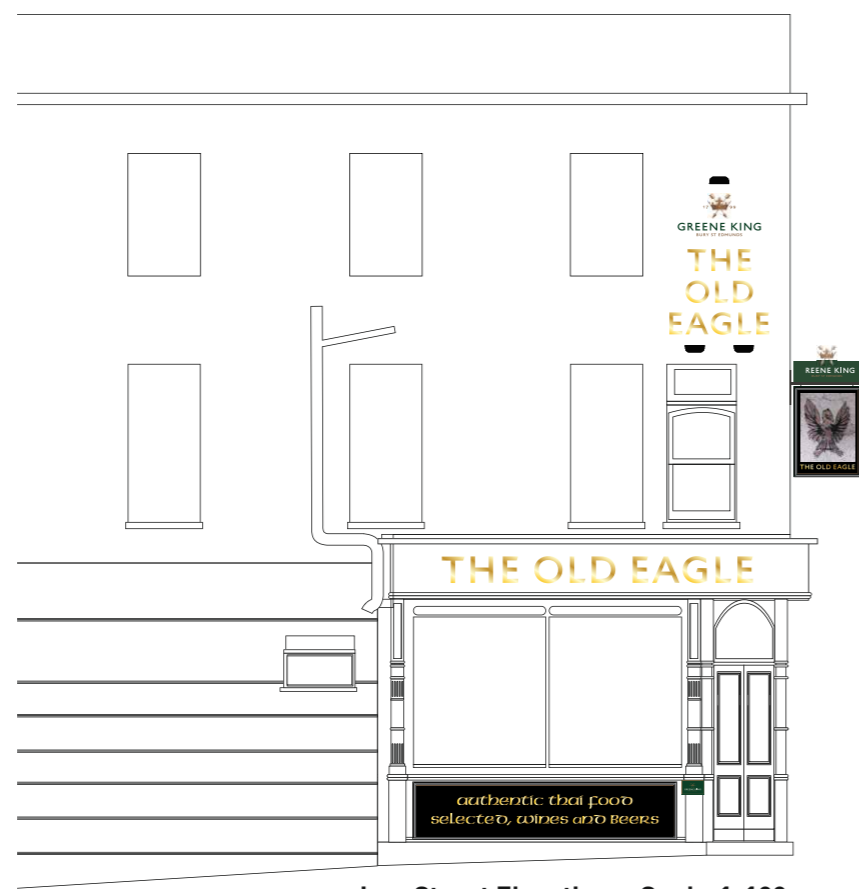
W0007178

GREENE KING PP

OLD EAGLE

CAMDEN

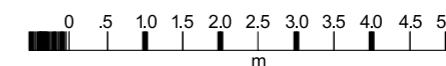
12 03 18 dr



Ivor Street Elevation - Scale 1:100



Royal College Street Elevation - Scale 1:100



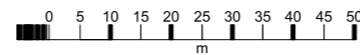
THIS DOCUMENT IS THE PROPERTY OF INSIGNIA SIGNS & SERVICES LTD. WHO OWN THE COPYRIGHT THEREIN.

THE INFORMATION IN THIS DOCUMENT IS GIVEN IN CONFIDENCE AND WITHOUT THE WRITTEN PERMISSION OF INSIGNIA SIGNS & SERVICES LTD.

GIVEN BY CONTRACT OR OTHERWISE THE DOCUMENT MUST NOT BE COPIED, REPRINTED OR REPRODUCED IN ANY MATERIAL FORM EITHER WHOLLY OR IN PART NOR MUST THE CONTENTS OF THE DOCUMENT OR ANY METHOD OR TECHNIQUE AVAILABLE THERE FROM BE DISCLOSED TO ANY THIRD PARTY.



Scale 1:1250



INSIGNIA
SIGNS & SERVICES

STAND OUT FROM THE CROWD

PLANNING SITE DETAILS

W0007178

GREENE KING PP

OLD EAGLE

CAMDEN

12 03 18 dr

THIS DOCUMENT IS THE PROPERTY OF
INSIGNIA SIGNS & SERVICES LTD. WHO
OWN THE COPYRIGHT THEREIN.

THE INFORMATION IN THIS DOCUMENT
IS GIVEN IN CONFIDENCE AND
WITHOUT THE WRITTEN PERMISSION OF
INSIGNIA SIGNS & SERVICES LTD.

GIVEN BY CONTRACT OR OTHERWISE
THE DOCUMENT MUST NOT BE COPIED,
REPRINTED OR REPRODUCED IN ANY
MATERIAL FORM EITHER WHOLLY OR IN
PART NOR MUST THE CONTENTS OF THE
DOCUMENT OR ANY METHOD OR
TECHNIQUE AVAILABLE THERE FROM BE
DISCLOSED TO ANY THIRD PARTY.



Scale 1:500



K

BEJ

A

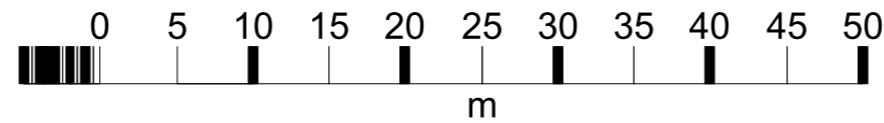
I

CD

F

BH

L - ●



INSIGNIA
SIGNS & SERVICES

STAND OUT FROM THE CROWD

PLANNING SITE DETAILS

W0007178

GREENE KING PP

OLD EAGLE

CAMDEN

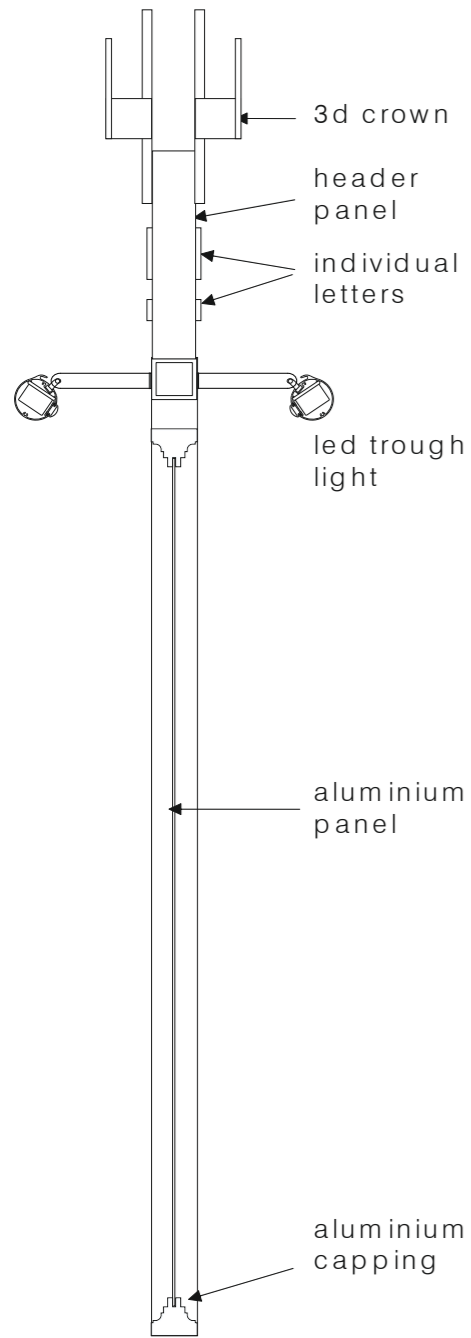
12 03 18 dr

THIS DOCUMENT IS THE PROPERTY OF
INSIGNIA SIGNS & SERVICES LTD. WHO
OWN THE COPYRIGHT THEREIN.

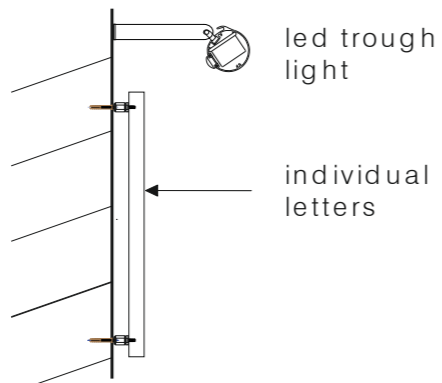
THE INFORMATION IN THIS DOCUMENT
IS GIVEN IN CONFIDENCE AND
WITHOUT THE WRITTEN PERMISSION OF
INSIGNIA SIGNS & SERVICES LTD.

GIVEN BY CONTRACT OR OTHERWISE
THE DOCUMENT MUST NOT BE COPIED,
REPRINTED OR REPRODUCED IN ANY
MATERIAL FORM EITHER WHOLLY OR IN
PART NOR MUST THE CONTENTS OF THE
DOCUMENT OR ANY METHOD OR
TECHNIQUE AVAILABLE THERE FROM BE
DISCLOSED TO ANY THIRD PARTY.

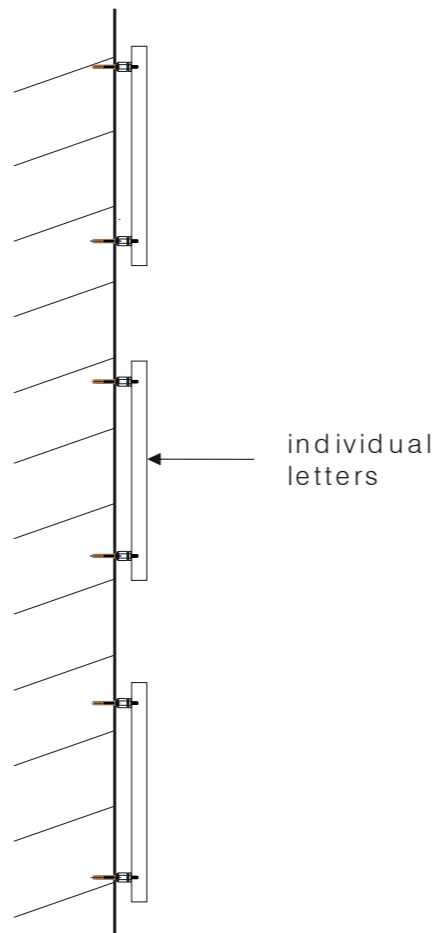
SIGN A - scale 1:10



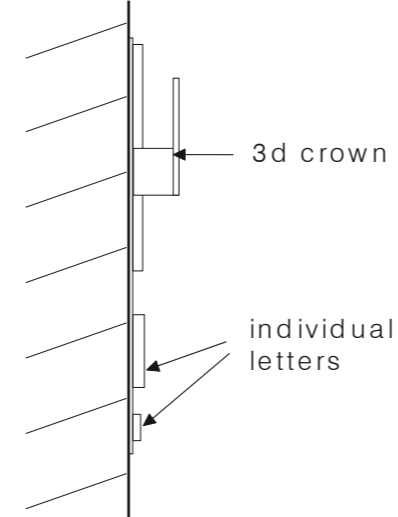
SIGN B - scale 1:10



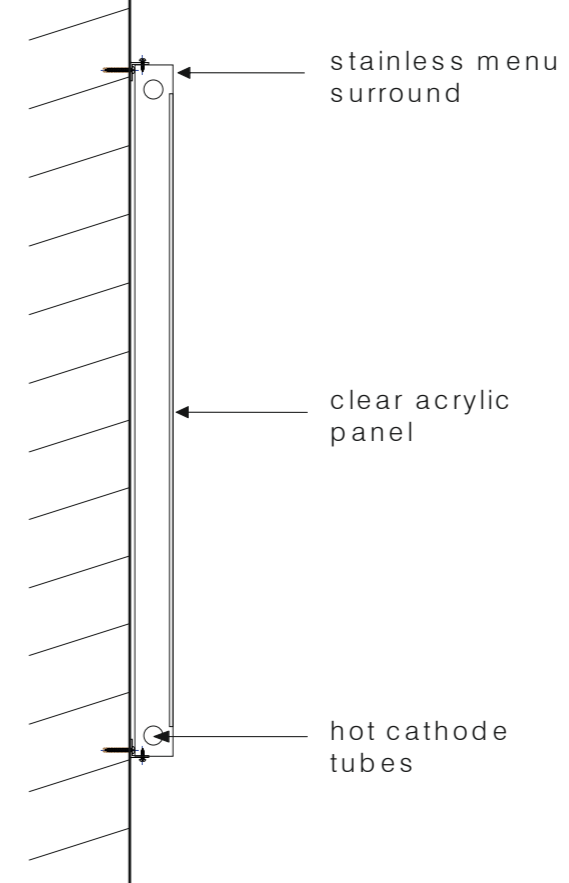
SIGN C - scale 1:10



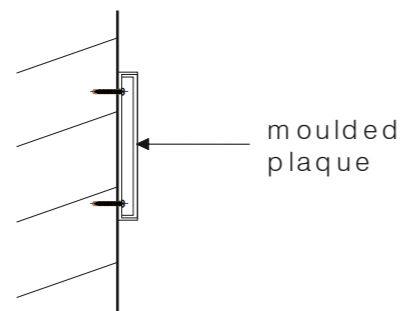
SIGN D - scale 1:10



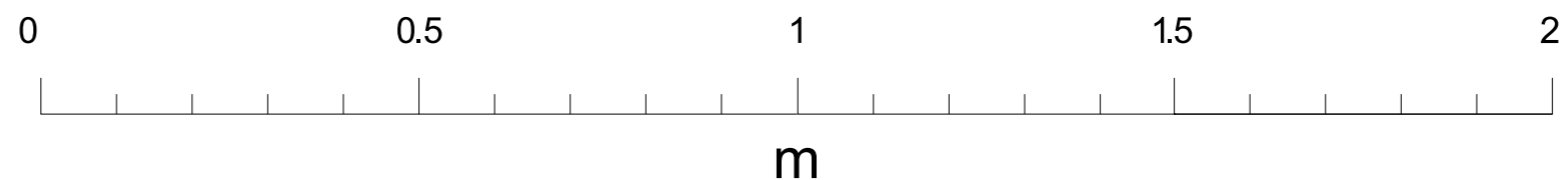
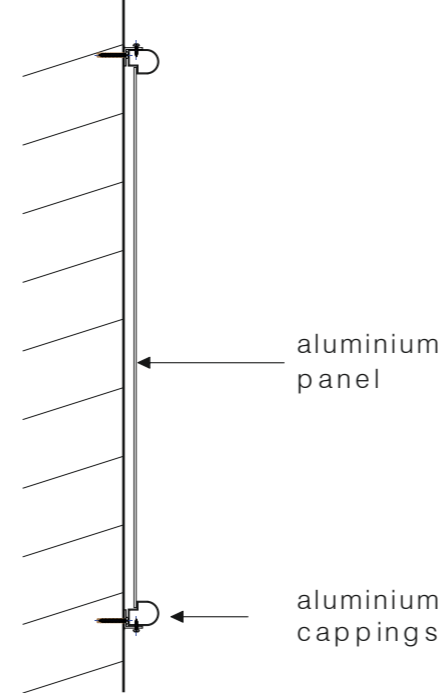
SIGN E - scale 1:10



SIGN F - scale 1:10



SIGN H - K - scale 1:10



INSIGNIA
SIGNS & SERVICES

STAND OUT FROM THE CROWD

PLANNING
SITE DETAILS

W0007178

GREENE KING PP

OLD EAGLE

CAMDEN

12 03 18 dr

THIS DOCUMENT IS THE PROPERTY OF INSIGNIA SIGNS & SERVICES LTD. WHO OWN THE COPYRIGHT THEREIN.

THE INFORMATION IN THIS DOCUMENT IS GIVEN IN CONFIDENCE AND WITHOUT THE WRITTEN PERMISSION OF INSIGNIA SIGNS & SERVICES LTD.

GIVEN BY CONTRACT OR OTHERWISE THE DOCUMENT MUST NOT BE COPIED, REPRINTED OR REPRODUCED IN ANY MATERIAL FORM EITHER WHOLLY OR IN PART NOR MUST THE CONTENTS OF THE DOCUMENT OR ANY METHOD OR TECHNIQUE AVAILABLE THERE FROM BE DISCLOSED TO ANY THIRD PARTY.