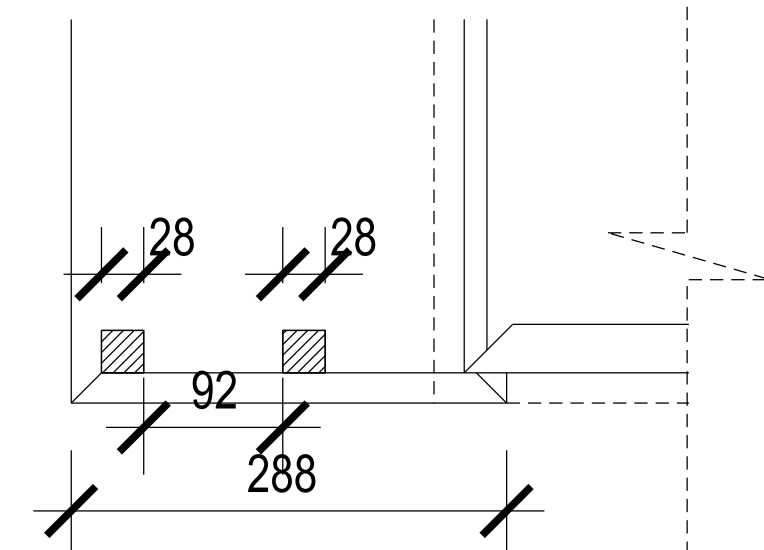
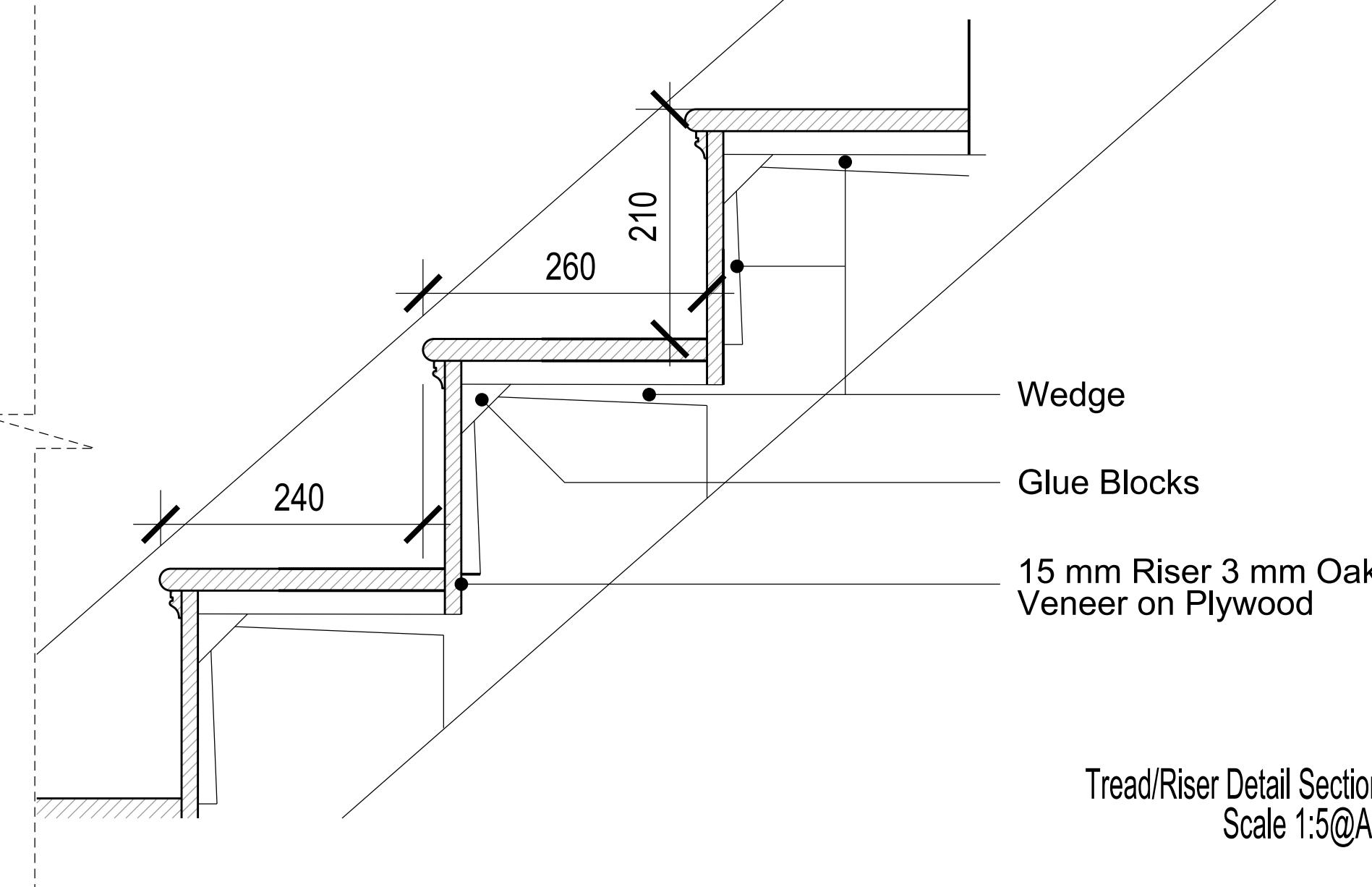


Mews Staircase Section 1-1
Scale 1:20@A1

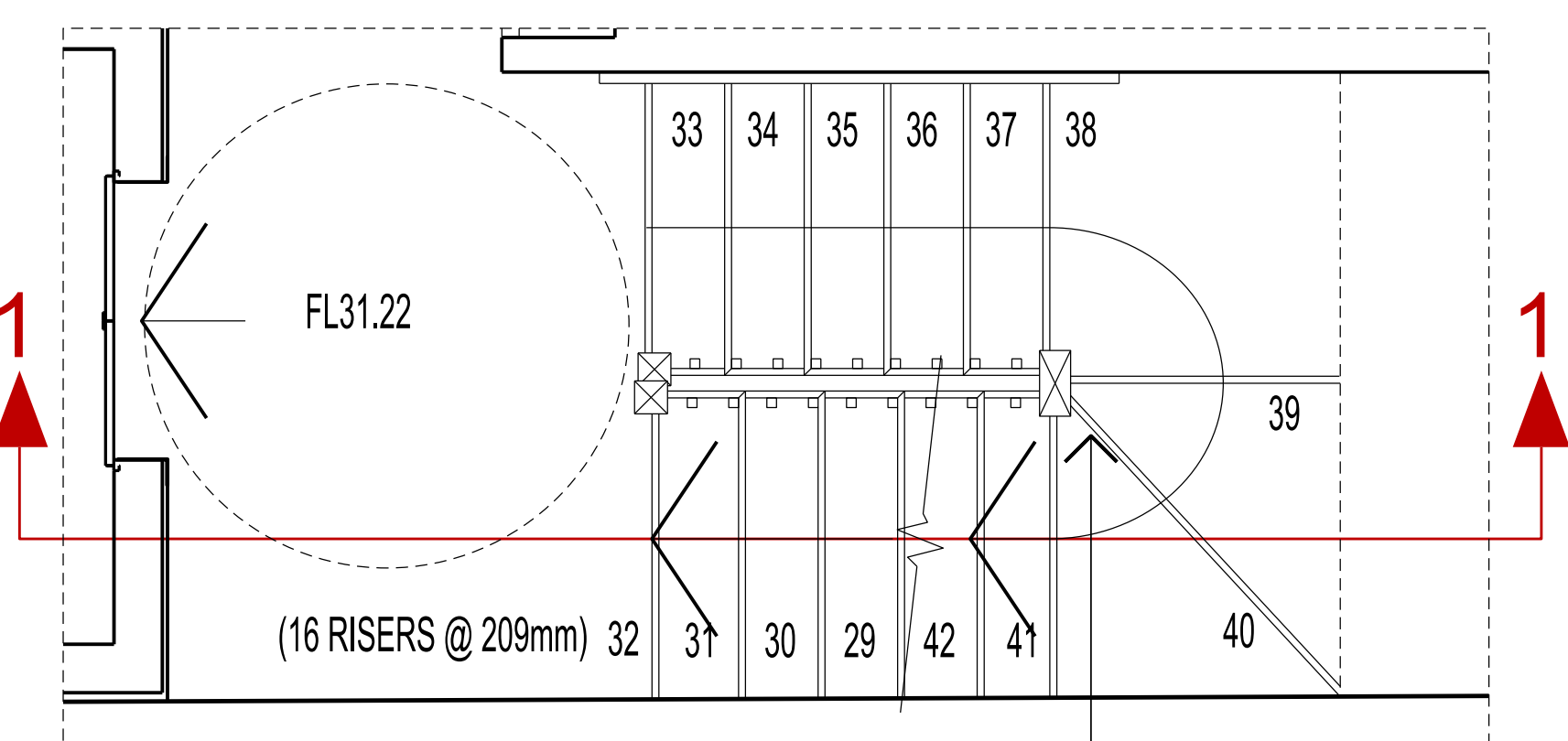
Handrail
2 Layers of 15mm Acoustic Plasterboard
Newel post



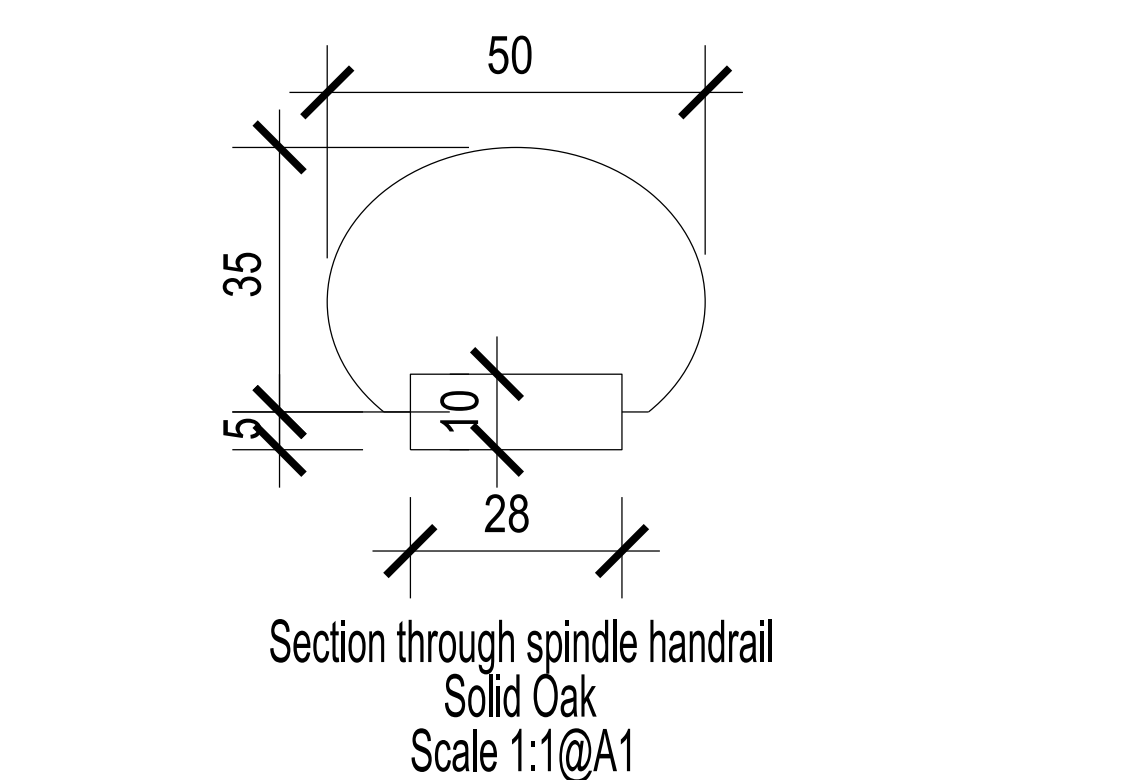
Tread/Riser Detail Plan
Scale 1:5@A1



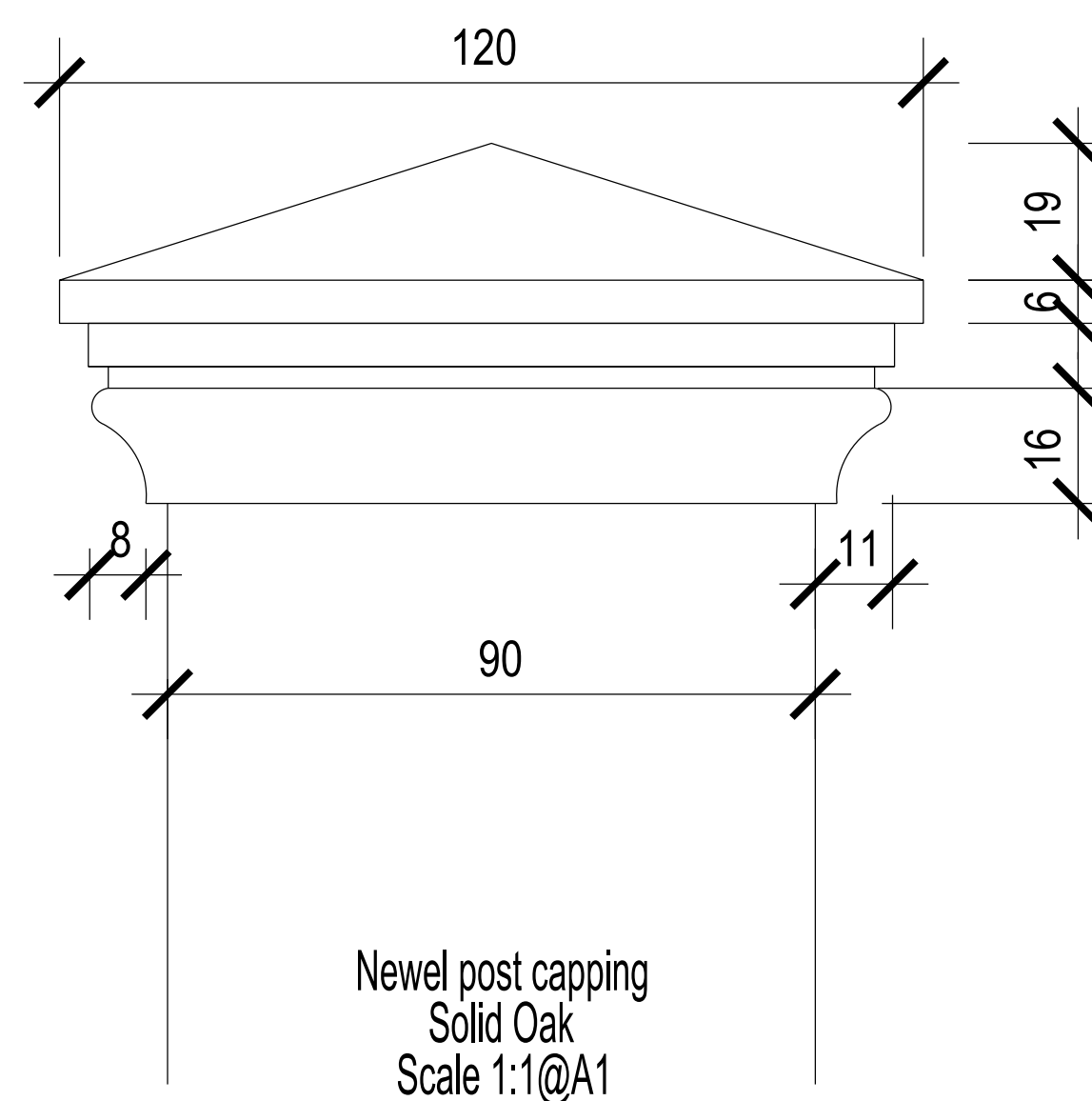
Tread/Riser Detail Section
Scale 1:5@A1



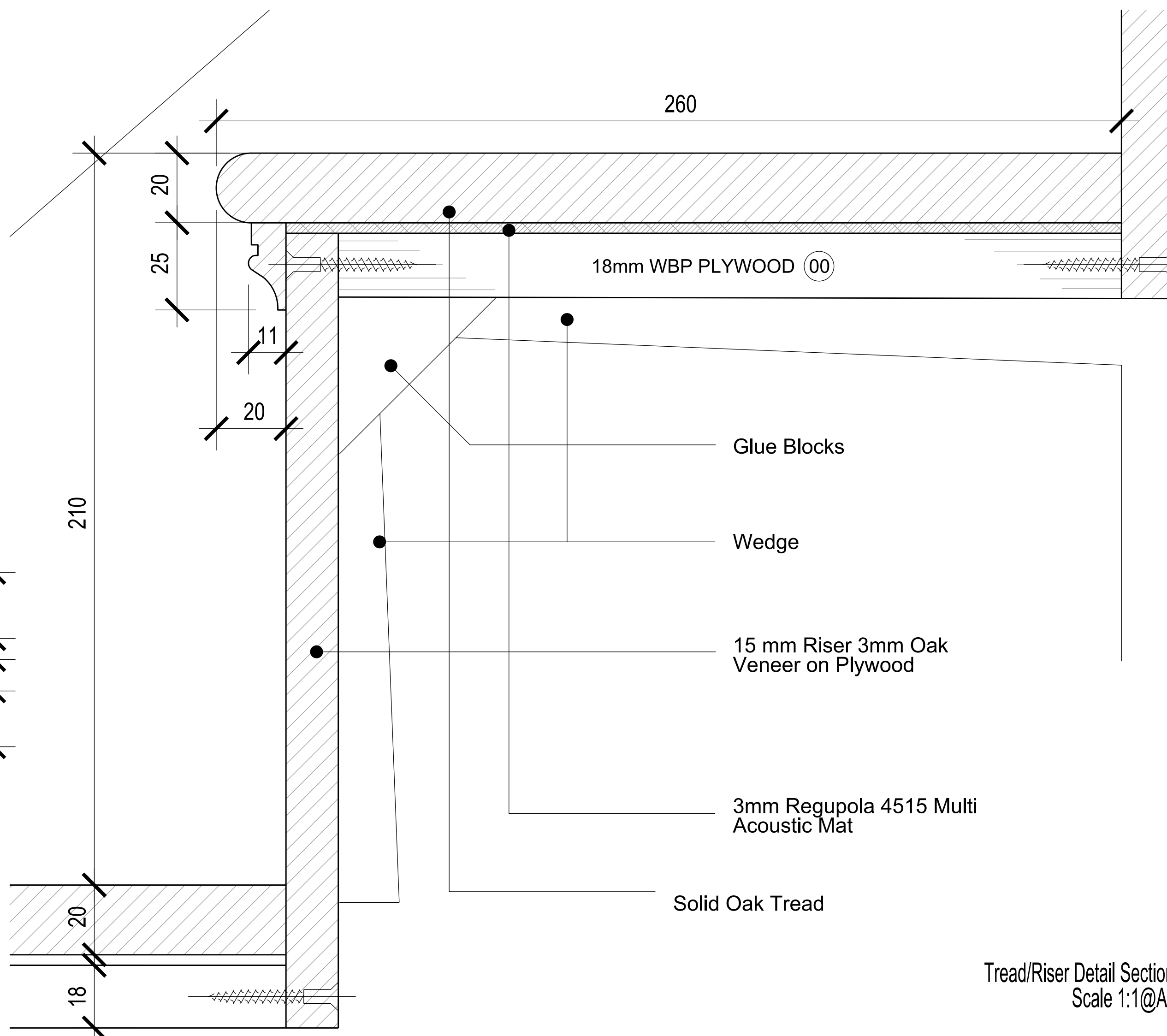
EXTRACT OF CONSENTED PLANS
First Floor Plan
Scale 1:20@A1



Section through spindle handrail
Solid Oak
Scale 1:1@A1



Newel post capping
Solid Oak
Scale 1:1@A1



Tread/Riser Detail Section
Scale 1:1@A1

BUILDING DESIGN PARTNERSHIP LTD SHALL HAVE NO RESPONSIBILITY FOR ANY USE MADE OF THIS DOCUMENT OTHER THAN FOR THAT WHICH IT WAS PREPARED AND ISSUED

ALL DIMENSIONS SHOULD BE CHECKED ON SITE.

ANY DRAWING ERRORS OR DIVERGENCES SHOULD BE BROUGHT TO THE ATTENTION OF BUILDING DESIGN PARTNERSHIP LTD AT THE ADDRESS SHOWN.

REVISION / DESCRIPTION	DRAWN	CHECKED	DATE	REVISION / DESCRIPTION	DRAWN	CHECKED	DATE	REVISION / DESCRIPTION	DRAWN	CHECKED	DATE	KEY PLAN
A- DISCHARGE OF MEWS LBC CONDITION 4	GP	AC	13.03.2018									
- DISCHARGE OF MEWS LBC CONDITION 4	GP	AC	09.03.2018									

<p>BDP.</p> <p>16 Brewhouse Yard Clerkenwell London, EC1V 4LJ United Kingdom</p> <p>T +44 (0)20 7812 8000 F +44 (0)20 7812 8399 www.bdp.com</p>		<p>PROJECT TITLE 42 BEDFORD SQUARE</p> <p>PROJECT NUMBER P2005698</p> <p>DRAWING TITLE MEWS HOUSE TIMBER STAIR - GROUND TO FIRST</p> <p>SCALE @ A1 -</p> <p>DATE 03.2018</p> <p>REVISION A</p>
--	--	---

<p>CLIENT LOGO</p>	<p>SCALE @ A1 -</p> <p>DATE 03.2018</p> <p>REVISION A</p>
--------------------	---