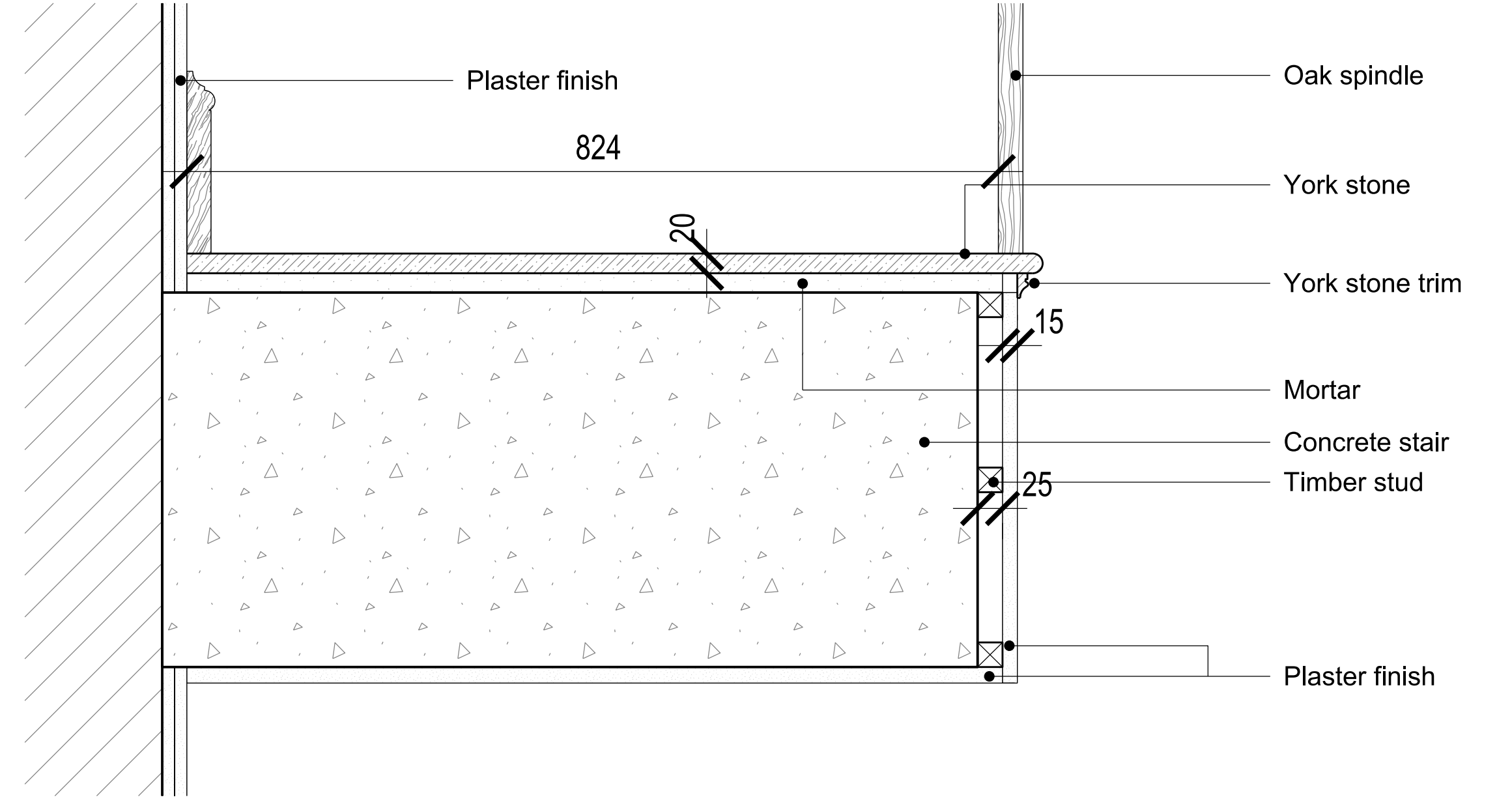
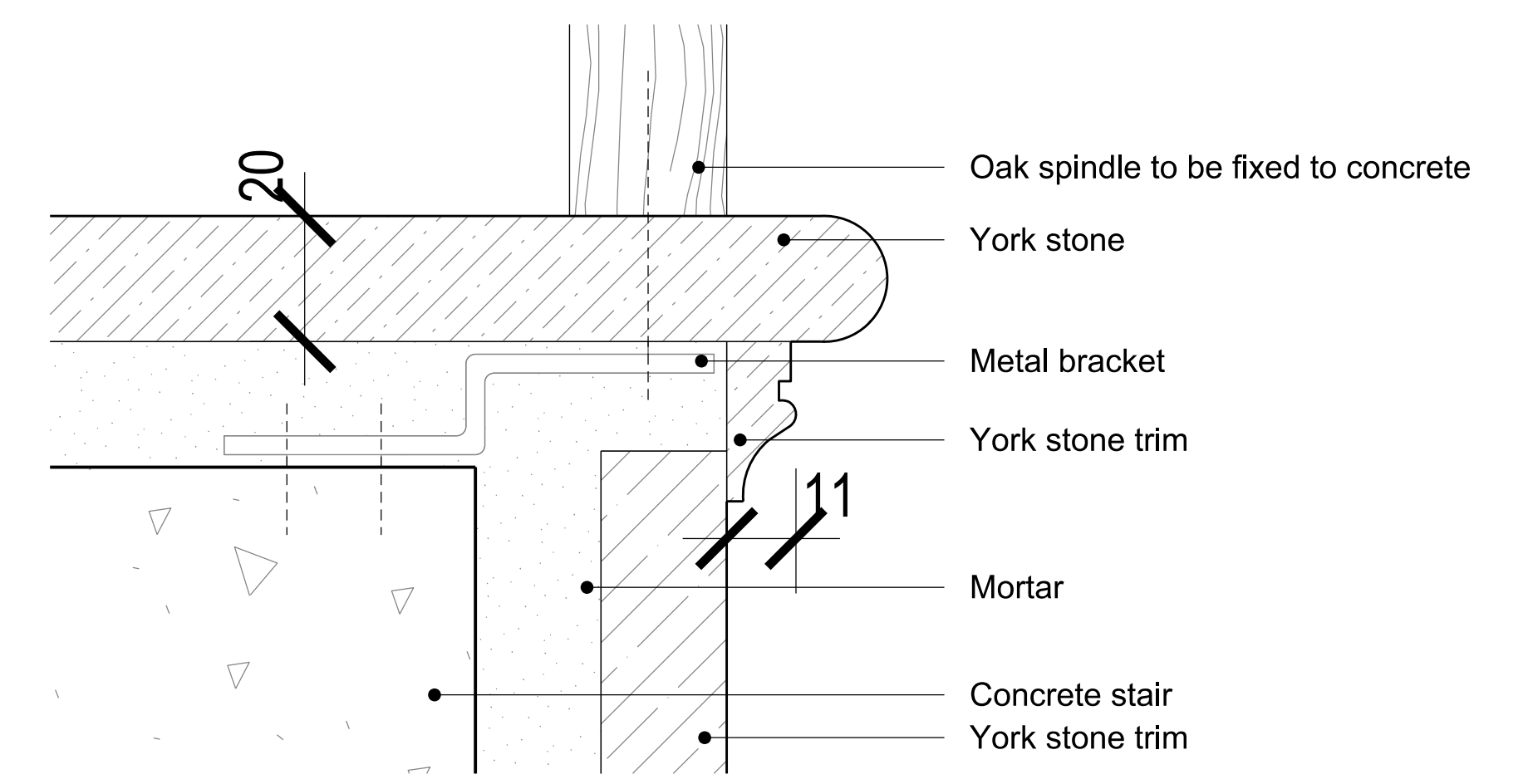


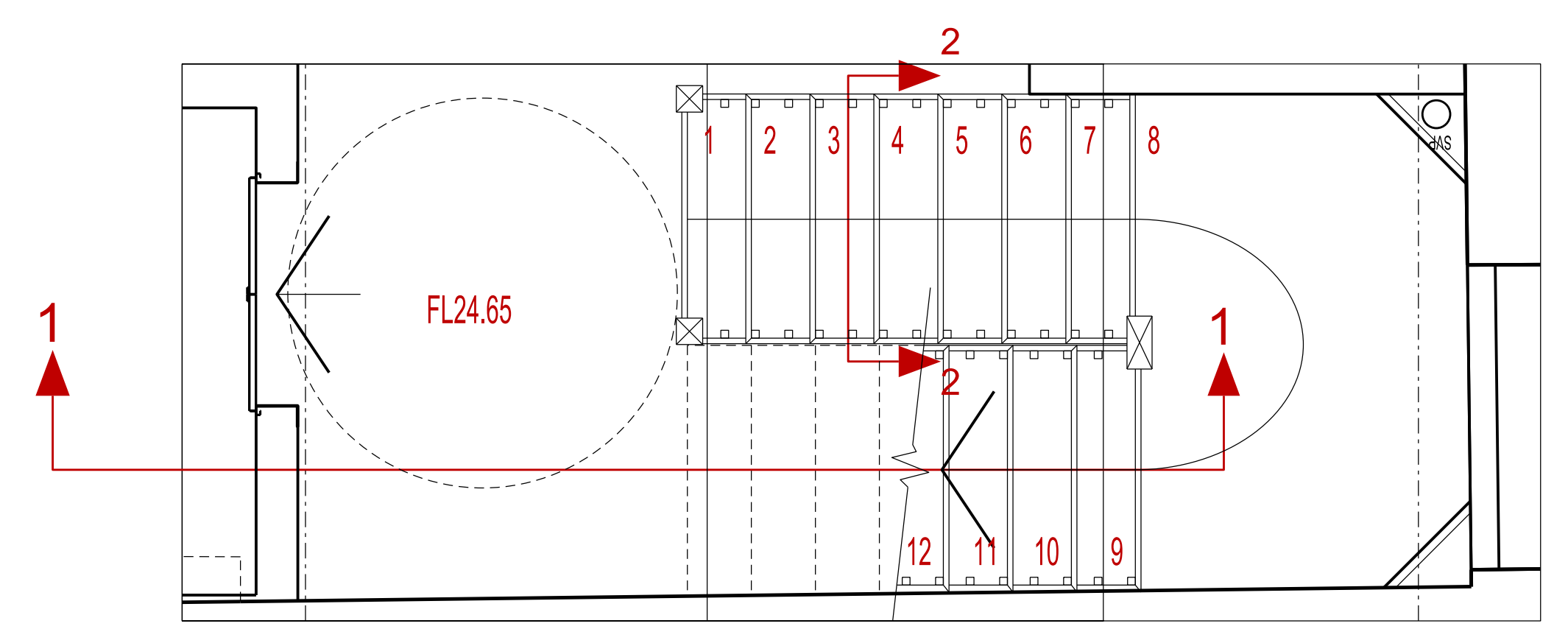
Lower Ground to Ground Floor Concrete Stair Section 1-1
Scale 1:10@A1



Detail Concrete Stair Section 2-2
Scale 1:5@A1



Detail 2-2 Concrete Stair
Scale 1:1@A1



EXTRACT OF CONSENTED PLANS
Lower Ground Floor Plan
Scale 1:20@A1

BUILDING DESIGN PARTNERSHIP LTD SHALL HAVE NO RESPONSIBILITY FOR ANY USE MADE OF THIS DOCUMENT OTHER THAN FOR THAT WHICH IT WAS PREPARED AND ISSUED.
ALL DIMENSIONS SHOULD BE CHECKED ON SITE.
ANY DRAWING ERRORS OR DIVERGENCES SHOULD BE BROUGHT TO THE ATTENTION OF BUILDING DESIGN PARTNERSHIP LTD AT THE ADDRESS SHOWN.

REVISION/DESCRIPTION	DRAWN	CHECKED	DATE	REVISION/DESCRIPTION	DRAWN	CHECKED	DATE	REVISION/DESCRIPTION	DRAWN	CHECKED	DATE	KEY PLAN
A- DISCHARGE OF MEWS LBC CONDITION 4	GP	AC	13.03.2018									
- DISCHARGE OF MEWS LBC CONDITION 4	GP	AC	09.03.2018									

CLIENT LOGO

16 Brewhouse Yard
Clerkenwell
London, EC1V 4LJ
United Kingdom
T +44 (0)20 7812 8000
F +44 (0)20 7812 8399
www.bdp.com

BDP.

PROJECT TITLE 42 BEDFORD SQUARE	
PROJECT NUMBER P2005698	SCALE @A1 -
DRAWING TITLE MEWS HOUSE CONCRETE STAIR	DATE 03.2018
CONTRACT NO. (24)AS003	REVISION A