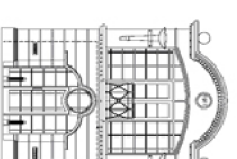


This drawing is copyright and may not be copied or reproduced without the written consent of this practice

The contractor is responsible for setting out and must check all levels and dimensions prior to work being put in hand

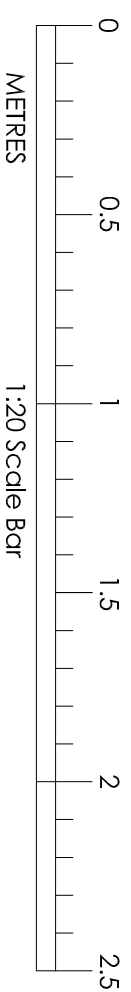
This drawing should not be scaled. Only written dimensions are to be taken in respect of this project

The Architect is to be immediately notified of any suspect omissions or discrepancies



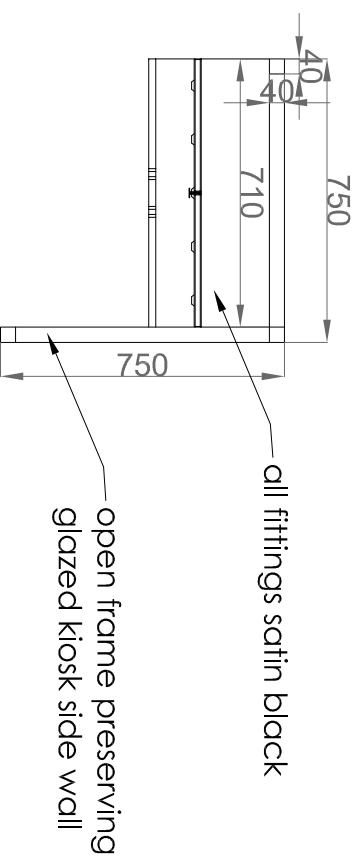
REV DATE COMMENT

REV BY

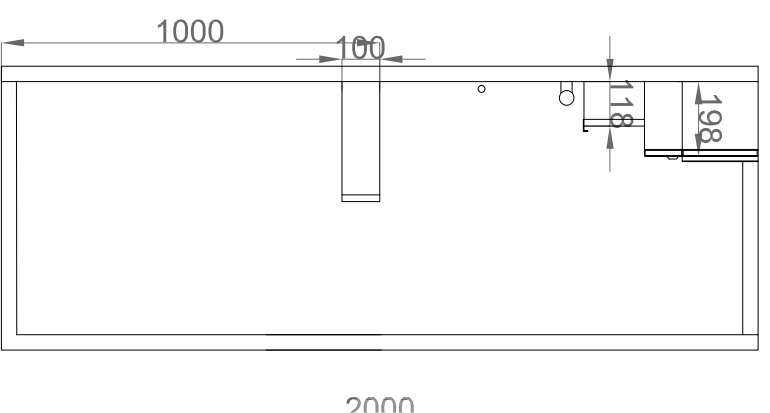


RED KIOSK DESIGNS
CHARTERED ARCHITECTS AND PLANNING CONSULTANTS

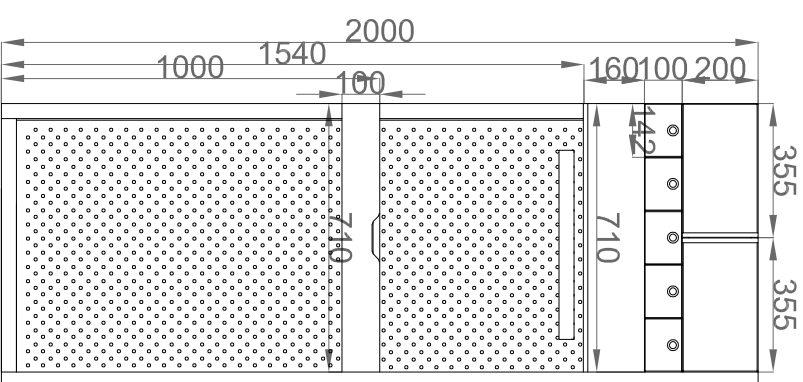
Sussex Innovation Centre
Science Park Square, Falmer
Brighton, East Sussex, BN1 9SB
Telephone: 01273 707787
www.milesbroearchitects.co.uk



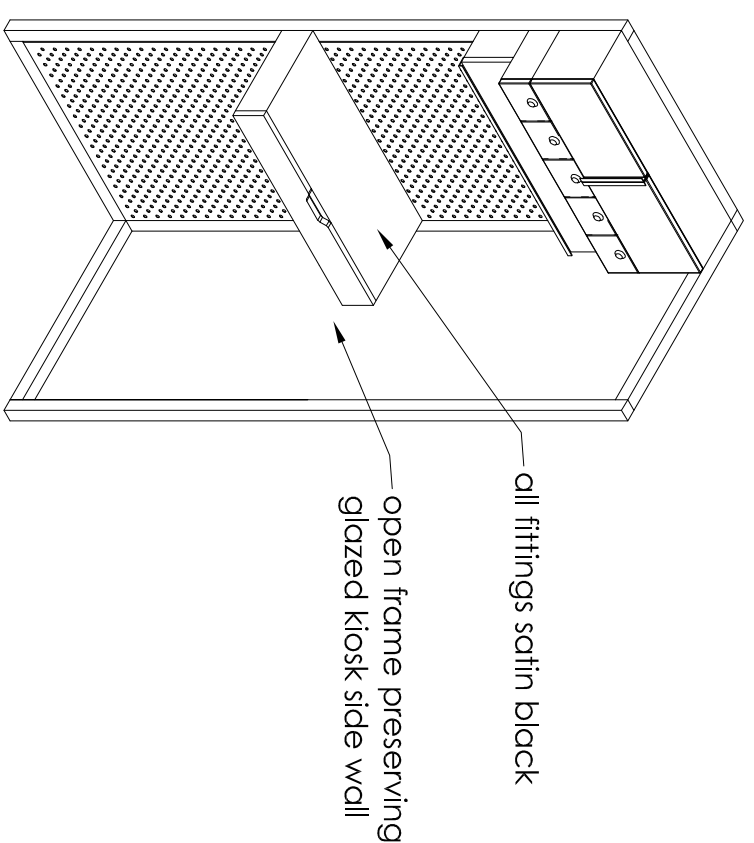
Proposed Plan @ 1 : 20



Proposed Side Elevation of Unit @ 1 : 20



Proposed Rear Elevation of Unit @ 1 : 20



Proposed Axonometric of Unit @ 1 : 20

CLIENT
RED KIOSK DESIGNS

PROJECT
CHANGE OF USE FROM 1NO. PHONE BOX TO 1NO. NEW MOBILE PHONE REPAIR SHOP

**@ OPPOSITE "THE WIENER LIBRARY",
29 RUSSELL SQUARE,
LONDON, WC1B 5DP**

DRAWING
**PROPOSED DETAILED PLANS
ELEVATIONS OF LOVEPHONE
FITTINGS**

scale	date	drawn
1:20 @ A3	Mar 2018	FMB
job no	drawing no	revision
9232-16.6	PL03	