

DO NOT SCALE

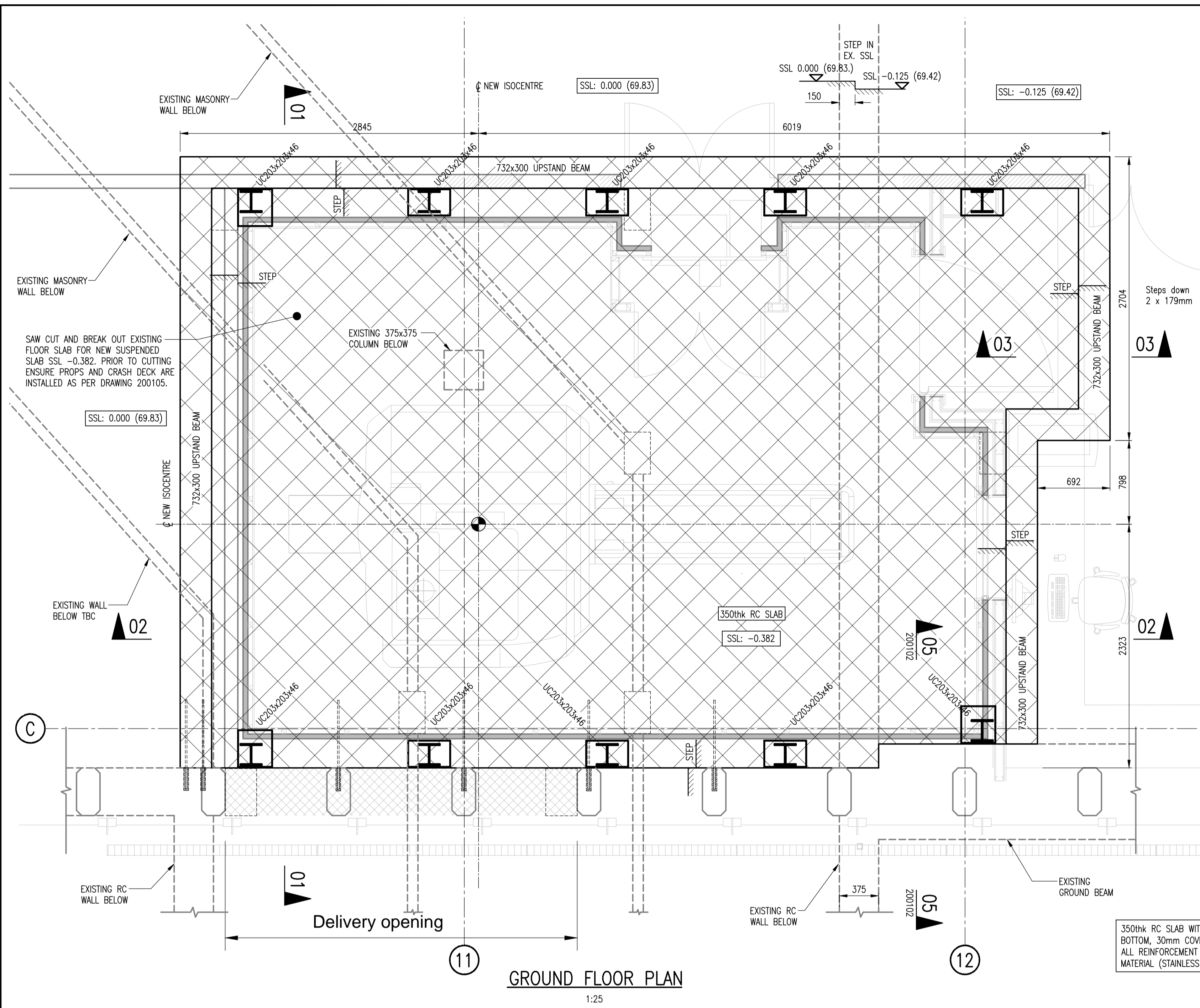
KEY TO HEALTH & SAFETY SYMBOLS

- WARNING RISK INDICATES A RESIDUAL RISK AS A WARNING.
- COMPULSORY RISK INDICATES A RESIDUAL RISK REQUIRING A COMPULSORY ACTION.
- PROHIBITIVE RISK INDICATES A RESIDUAL RISK REQUIRING A PROHIBITIVE ACTION.
- INFORMATION RISK INDICATES A RESIDUAL RISK FOR INFORMATION.

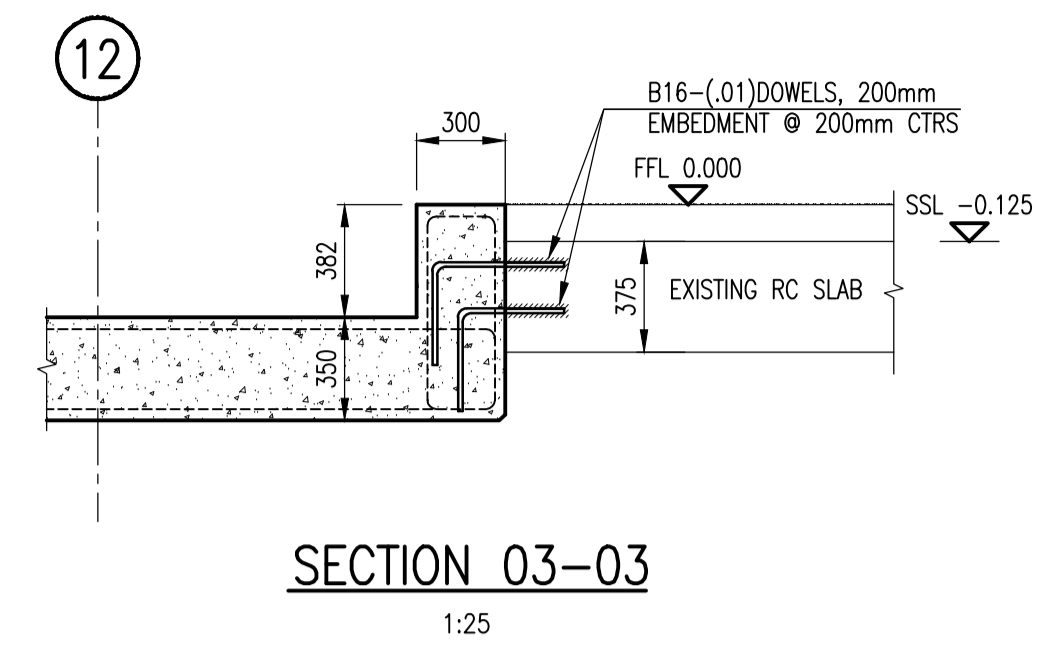
GENERAL NOTES

1. THIS DRAWING IS TO BE READ IN CONJUNCTION WITH CSM ARCHITECTS DRAWING 4443/15.
2. UNLESS NOTED OTHERWISE, MINIMUM COVER TO BE:
-TOP = 30mm
-BOTTOM & SIDES = 30mm
3. CONCRETE MIX: C32/40 (0.55/300) OR RC40
4. FOR BAR BENDING SCHEDULE REFER TO UCL-WSP-00-GF-SH-S-200101.
5. REINFORCEMENT IS SCHEDULED IN ACCORDANCE WITH B.S. 8666:2005
6. UNLESS OTHERWISE STATED ALL LAPS SHOULD BE AS FOLLOWS: (MINIMUM)
H10 = 400mm
H12 = 500mm
H16 = 650mm
H20 = 800mm
H25 = 1000mm
7. WHERE STARTER BARS AND CONTINUITY BARS PROJECT FROM THE CONCRETE, THERE IS A RISK OF INJURY. THE REINFORCEMENT HAS BEEN DETAIL ASSUMING THAT THE CONTRACTOR SHALL TAKE APPROPRIATE MEASURES TO MITIGATE THIS RISK.

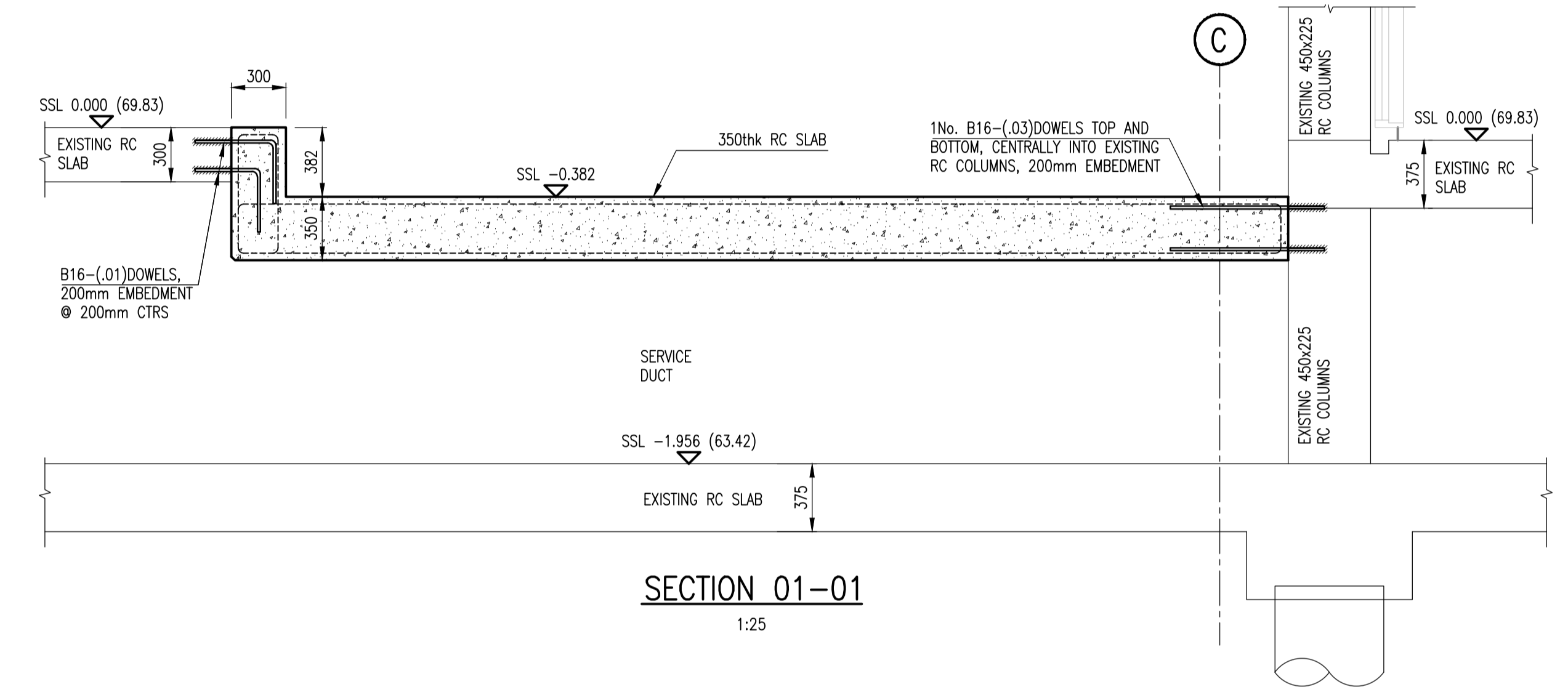
DENOTES SAW CUT AND BREAK OUT EXISTING FLOOR SLAB



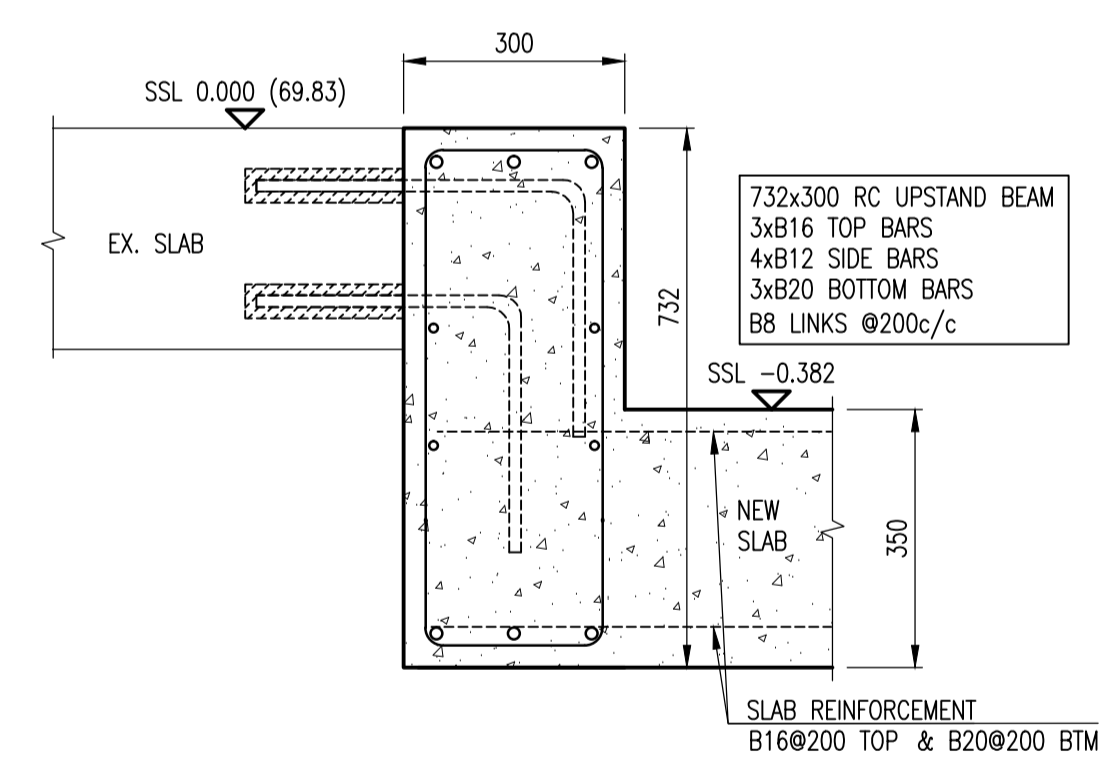
GROUND FLOOR PLAN
1:25



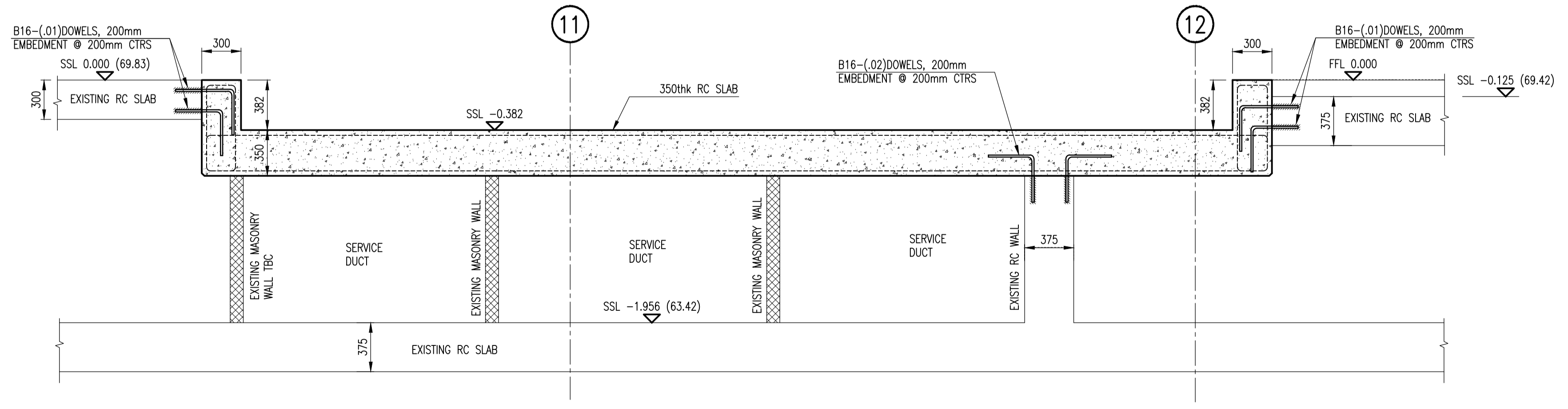
SECTION 03-03
1:25



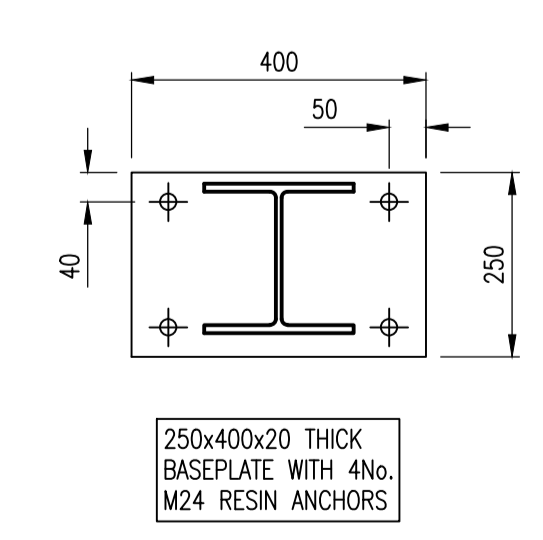
SECTION 01-01
1:25



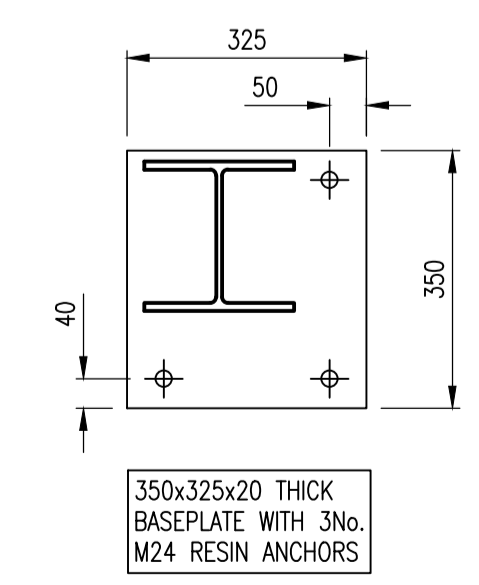
732x300 UPSTAND BEAM TYPICAL DETAIL
1:10



SECTION 02-02
1:25



203x203UC BASEPLATE
1:10



203x203UC BASEPLATE CORNER
1:10

REV	DATE	BY	DESCRIPTION	CHK	APP
02	07-02-18	NP	UPDATED TO SUIT REVISIONS	NP	MRB
01	18-01-18	NP	ISSUED FOR INFORMATION	NP	MRB

INFORMATION



One Queens Drive, Birmingham, B5 4PJ, UK
T+ 44 (0) 121 352 4700, F+ 44 (0) 121 352 4701
wsp.com

CLIENT: DD PORTER / SIEMENS

ARCHITECT: CSM ARCHITECTS LTD

SITE/PROJECT: UCLH, BIRKBECK UNIVERSITY MRI

TITLE: STRUCTURAL GROUND FLOOR SECTION AND DETAILS

SCALE @ A1:	CHECKED:	APPROVED:
1:25	MRB	MRB

PROJECT NO:	DESIGNED:	DRAWN:	DATE:
70038590	NP	HD	JAN 2018

DRAWING NO: UCL-WSP-00-GF-DR-S-200101
REV: 02

© WSP UK Ltd

File name: C:\USERS\NUNXP1\DOCUMENTS\A - NATHAN PENTELOVA - PROJECTS\DDPUCL - PROJECTS\DDPUCL - BEDFORD WAY\UCL-WSP-00-GF-DR-S.DWG, printed on 08 February 2018 12:03:08, by Penelope, Nathan

EXISTING STRUCTURAL DETAILS/CONSTRUCTION TO BE CONFIRMED ON SITE PRIOR TO COMMENCING WORKS

SITE MEASUREMENTS REQUIRED TO CONFIRM SETTING OUT OF EXISTING STRUCTURE

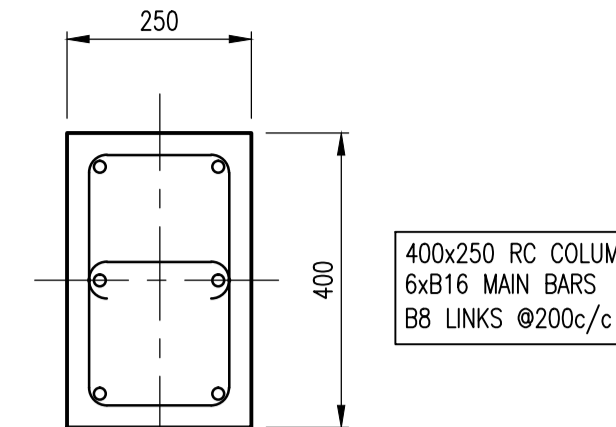
DO NOT SCALE

GENERAL NOTES

- THIS DRAWING IS TO BE READ IN CONJUNCTION WITH CSM ARCHITECTS DRAWING 4443/15.
- UNLESS NOTED OTHERWISE, MINIMUM COVER TO BE:
 -TOP = 30mm
 -BOTTOM & SIDES = 30mm
- CONCRETE MIX: C32/40 (0.55/300) OR RC40
- FOR BAR BENDING SCHEDULE REFER TO UCL-WSP-00-GF-SH-S-200101.
- REINFORCEMENT IS SCHEDULED IN ACCORDANCE WITH B.S 8666:2005
- UNLESS OTHERWISE STATED ALL LAPS SHOULD BE AS FOLLOWS: (MINIMUM)
 H10 = 400mm
 H12 = 500mm
 H16 = 650mm
 H20 = 800mm
 H25 = 1000mm
- WHERE STARTER BARS AND CONTINUITY BARS PROJECT FROM THE CONCRETE, THERE IS A RISK OF INJURY. THE REINFORCEMENT HAS BEEN DETAILED ASSUMING THAT THE CONTRACTOR SHALL TAKE APPROPRIATE MEASURES TO MITIGATE THIS RISK.
- FOUNDATIONS ARE TO BE SET OUT SYMMETRICALLY ABOUT COLUMNS AND CAVITY WALL/CENTRE LINES UNLESS OTHERWISE NOTED.
- FOUNDATIONS HAVE BEEN DESIGNED TO A BEARING CAPACITY OF 100kN/m².
- ALL FOUNDATIONS TO HAVE 50mm CONCRETE BLINDING TO THE UNDERSIDE.

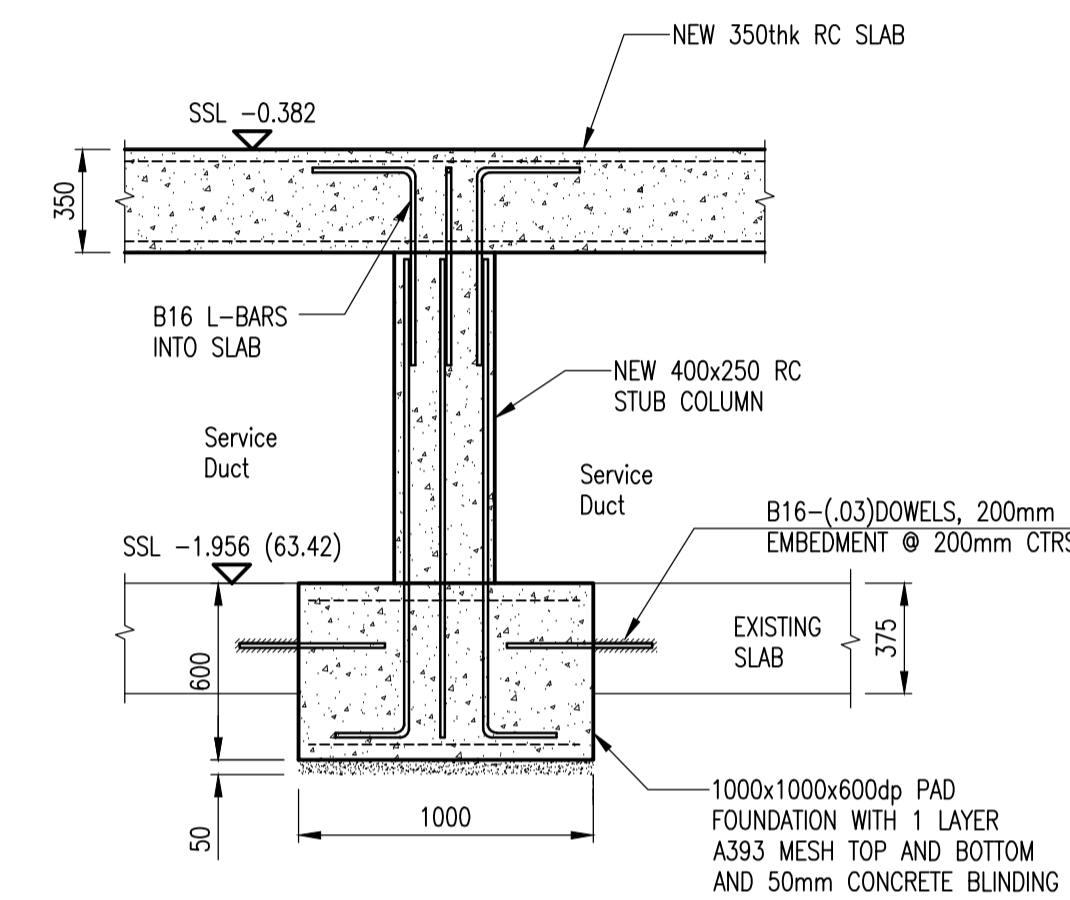
KEY TO HEALTH & SAFETY SYMBOLS

- WARNING RISK INDICATES A RESIDUAL RISK AS A WARNING.
- COMPULSORY RISK INDICATES A RESIDUAL RISK REQUIRING A COMPULSORY ACTION.
- PROHIBITIVE RISK INDICATES A RESIDUAL RISK REQUIRING A PROHIBITIVE ACTION.
- INFORMATION RISK INDICATES A RESIDUAL RISK FOR INFORMATION.



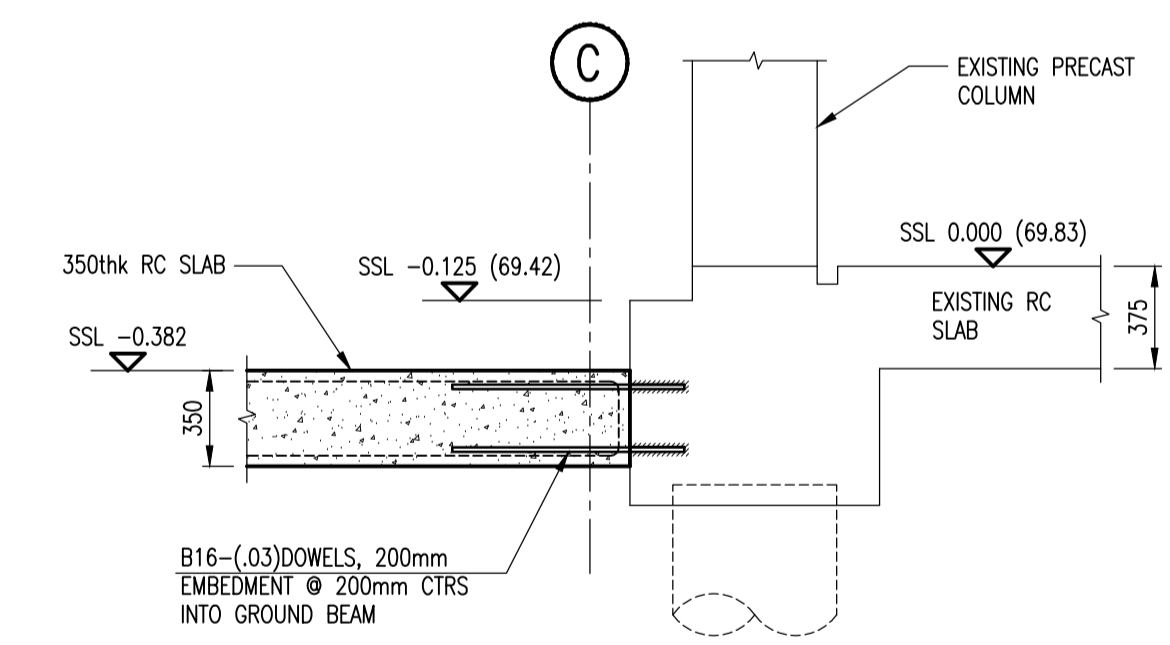
RC STUB COLUMN

1:10
(450x300 INSITU INFILL SIMILAR)



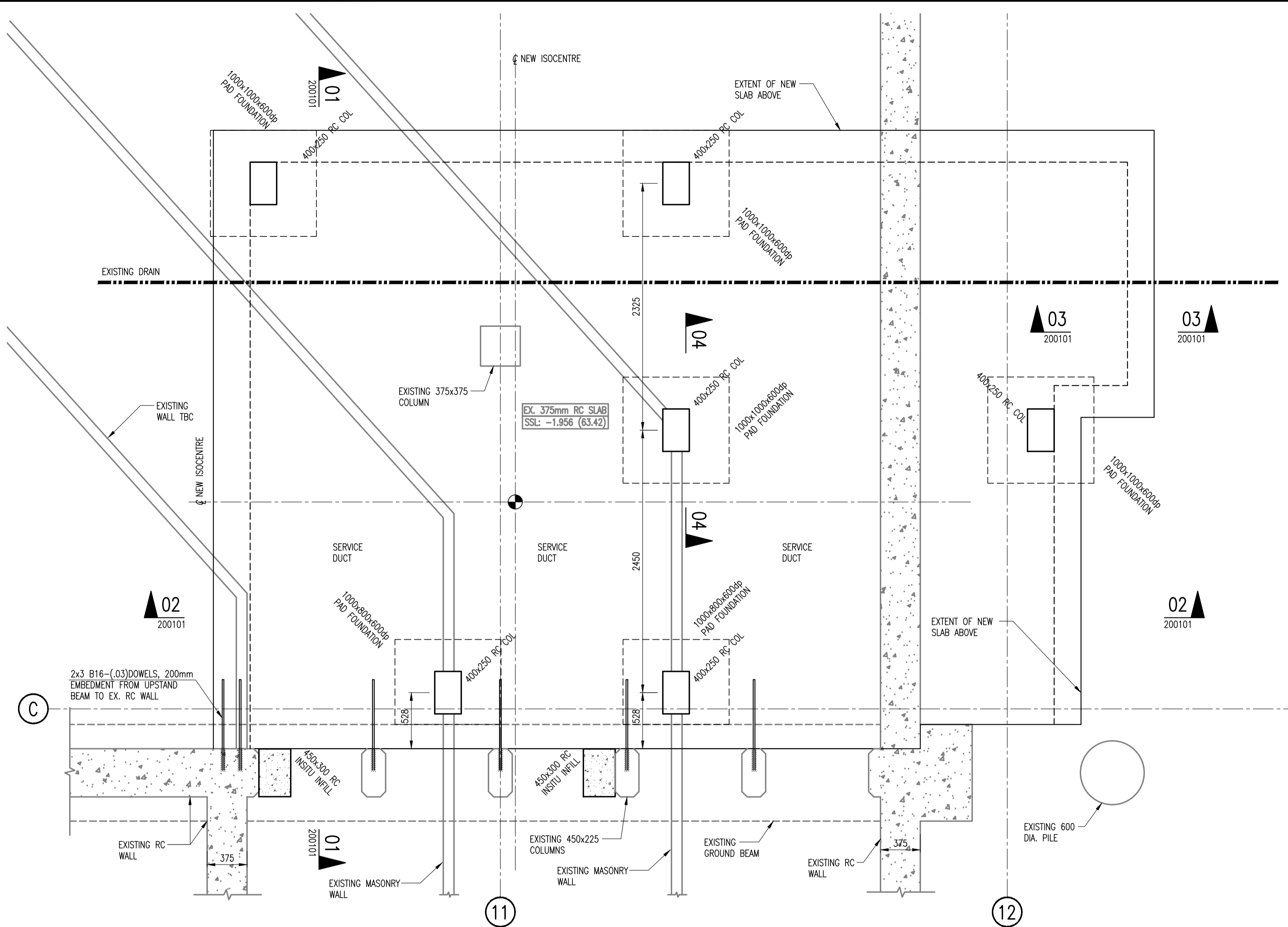
SECTION 04-04

1:25



SECTION 05-05

1:25



SERVICE DUCT LEVEL PLAN

1:25

SITE MEASUREMENTS REQUIRED TO CONFIRM SETTING OUT OF EXISTING STRUCTURE

EXISTING STRUCTURAL DETAILS/CONSTRUCTION TO BE CONFIRMED ON SITE PRIOR TO COMMENCING WORKS

RECORD INFORMATION SHOWS AREA TO CONTAIN EXISTING "LIVE" SERVICES. FURTHER INVESTIGATION REQUIRED PRIOR TO COMMENCING WORKS ON SITE.

REV	DATE	BY	DESCRIPTION	CHK	APP
02	07-02-18	NP	UPDATED TO SUIT EXISTING DRAWINGS	NP	MRB
01	18-01-18	NP	ISSUED FOR INFORMATION	NP	MRB

INFORMATION



One Queens Drive, Birmingham, B5 4PJ, UK
 T+ 44 (0) 121 352 4700, F+ 44 (0) 121 352 4701
 wsp.com

CLIENT: DD PORTER / SIEMENS

ARCHITECT: CSM ARCHITECTS LTD

SITE/PROJECT: UCLH, BIRKBECK UNIVERSITY MRI

TITLE: STRUCTURAL FOUNDATION SECTION AND DETAILS

SCALE @ A1:	CHECKED:	APPROVED:
1:25	MRB	MRB

PROJECT NO:	DESIGNED:	DRAWN:	DATE:
70038590	NP	HD	JAN 2018

DRAWING NO:	REV:
UCL-WSP-00-GF-DR-S-200102	02





© WSP UK Ltd

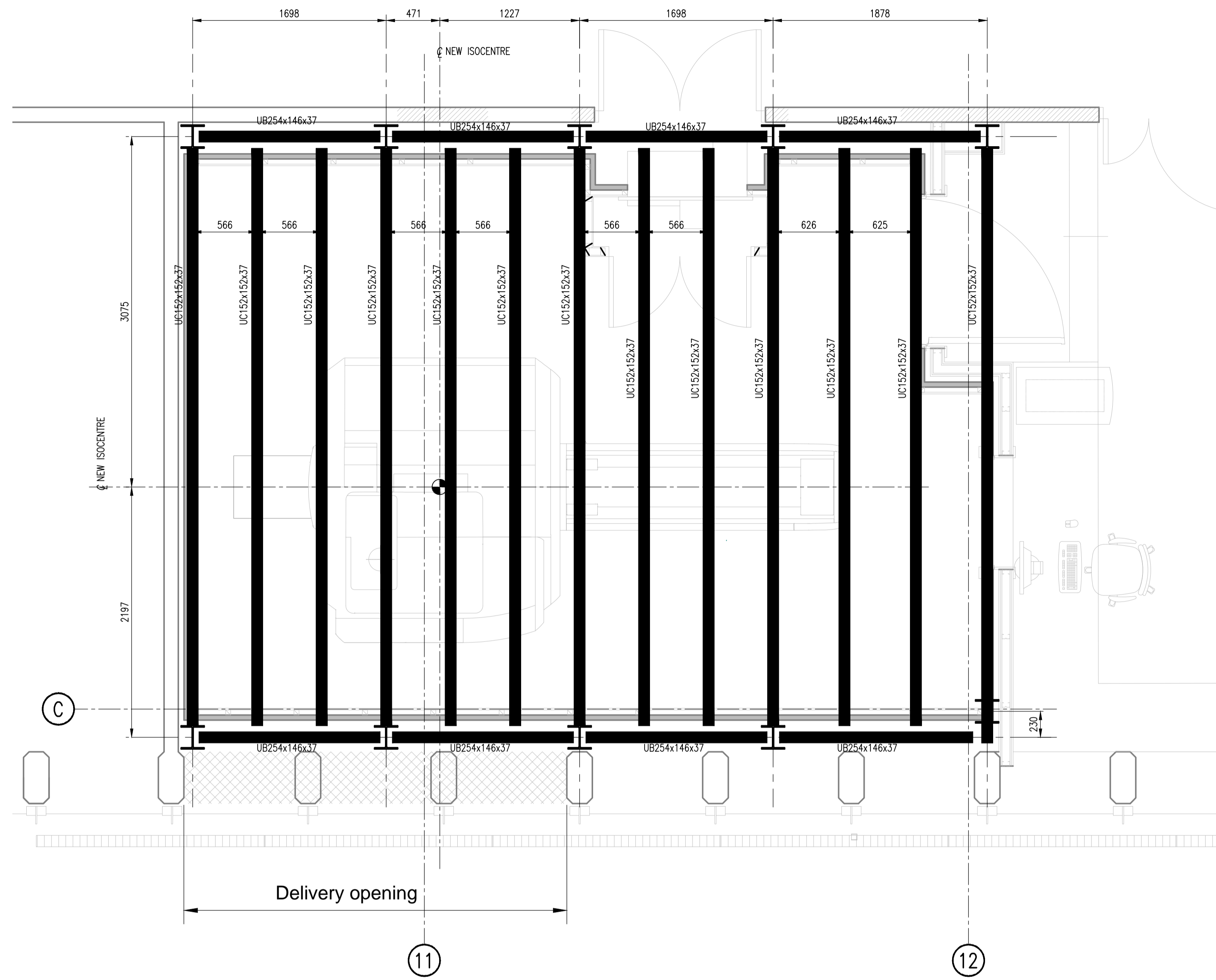
DO NOT SCALE

GENERAL NOTES

1. THIS DRAWING IS TO BE READ IN CONJUNCTION WITH CSM ARCHITECTS DRAWING 4443/15.
2. ALL STRUCTURAL STEELWORK TO COMPLY WITH BS.EN.1993
3. ALL STRUCTURAL STEELWORK TO BE GRADE S355 (U.N.O.) BRITISH MILD STEEL TO BS EN 10056-1:1999, BS-4-1:1993, BS EN 10210-2:1997 AND BS EN 10219-2:1997.
4. ALL STRUCTURAL STEELWORK TO BE BLAST CLEAN TO BS EN ISO 8501-1:2001, GRADE SA 2.5, FOLLOWED BY A HIGH BUILD ZINC PHOSPHATE PRIMER. TO 75 MICRON DRY FILM THICKNESS.
5. ALL BOLTS TO BE GRADE 8.8 ZINC PLATED
6. THE CONTRACTOR SHALL BE RESPONSIBLE FOR ANY TEMPORARY BRACING DURING ERECTION, AND ALL SHOP DETAILS FABRICATION DRAWINGS. THE FABRICATION DRAWINGS SHALL BE SUBMITTED.
7. THE CONTRACTOR SHALL ALLOW FOR ANY AMENDMENTS OF FABRICATION DETAILS ARISING FROM ENGINEERS COMMENTS
8. DIMENSION LINES ARE NOT TO BE SCALED FROM THIS DRAWING
9. THE CONTRACTOR SHALL COMPLY WITH THE HEALTH AND SAFETY REQUIREMENTS AS SET BY THE CDM REGULATIONS, THE HEALTH AND SAFETY EXECUTIVE.
10. THE CONTRACTOR SHALL BE RESPONSIBLE FOR THE EXECUTION OF THE WORKS IN ACCORDANCE WITH THE DRAWINGS AND THE SPECIFICATION AND FOR THE ACCURACY OF ALL THE DIMENSIONS AND SETTING OUT ON SITE
11. UNLESS STATED CONNECTIONS SHOULD BE DESIGNED FOR 100KN (ULS) SHEAR LOADING.
12. FOR BUILDERS WORK FOR INCOMING SERVICES REFER TO ARCHITECTS DRAWING FOR SETTING OUT.

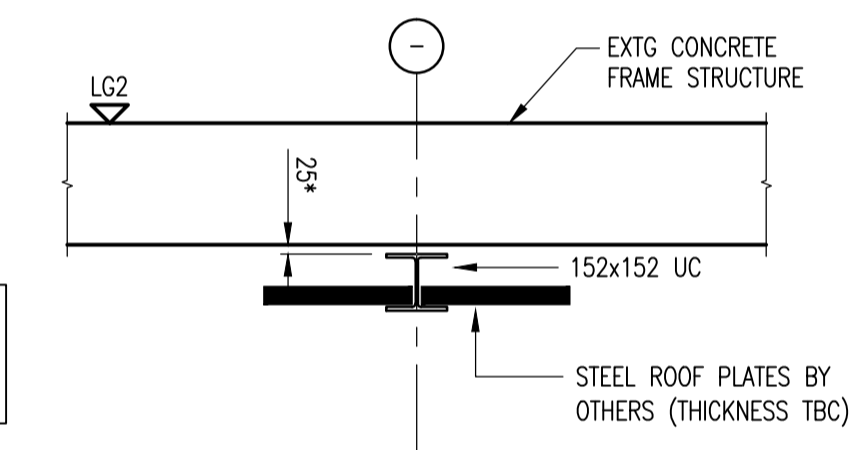
KEY TO HEALTH & SAFETY SYMBOLS

-  WARNING RISK INDICATES A RESIDUAL RISK AS A WARNING.
-  COMPULSORY RISK INDICATES A RESIDUAL RISK REQUIRING A COMPULSORY ACTION.
-  PROHIBITIVE RISK INDICATES A RESIDUAL RISK REQUIRING A PROHIBITIVE ACTION.
-  INFORMATION RISK INDICATES A RESIDUAL RISK FOR INFORMATION.

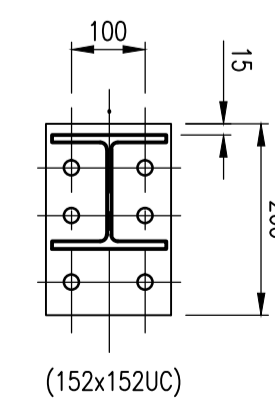


MRI CEILING PLAN
1:25

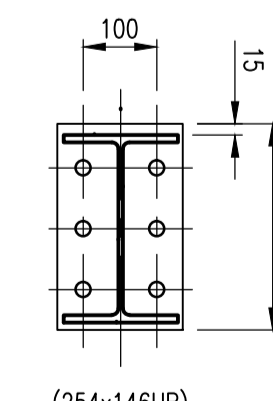
* DENOTES DIMENSION TBC ON SITE TO ENSURE NO OBSTRUCTIONS TO PROPOSED STEELWORK



MRI CEILING SUPPORT BEAM DETAIL
1:20




BEAM CONNECTION DETAIL 1
1:10



BEAM CONNECTION DETAIL 2
1:10

SITE MEASUREMENTS REQUIRED TO CONFIRM SETTING OUT OF EXISTING STRUCTURE

 EXISTING STRUCTURAL DETAILS/CONSTRUCTION TO BE CONFIRMED ON SITE PRIOR TO COMMENCING WORKS

REV	DATE	BY	DESCRIPTION	CHK	APP
02	07-02-18	NP	ISSUED FOR INFORMATION	NP	MRB
01	18-01-18	NP	ISSUED FOR INFORMATION	NP	MRB

INFORMATION



One Queens Drive, Birmingham, B5 4PJ, UK
T+ 44 (0) 121 352 4700, F+ 44 (0) 121 352 4701
wsp.com

CLIENT: DD PORTER / SIEMENS

ARCHITECT: CSM ARCHITECTS LTD

SITE/PROJECT: UCLH, BIRKBECK UNIVERSITY MRI

TITLE: STRUCTURAL MRI FRAME STEELWORK SECTION AND DETAILS

SCALE @ A1:	CHECKED:	APPROVED:
1:25	MRB	MRB

PROJECT NO:	DESIGNED:	DRAWN:	DATE:
70038590	NP	HD	JAN 2018

DRAWING NO: UCL-WSP-00-GF-DR-S-200103 REV: 02

© WSP UK Ltd

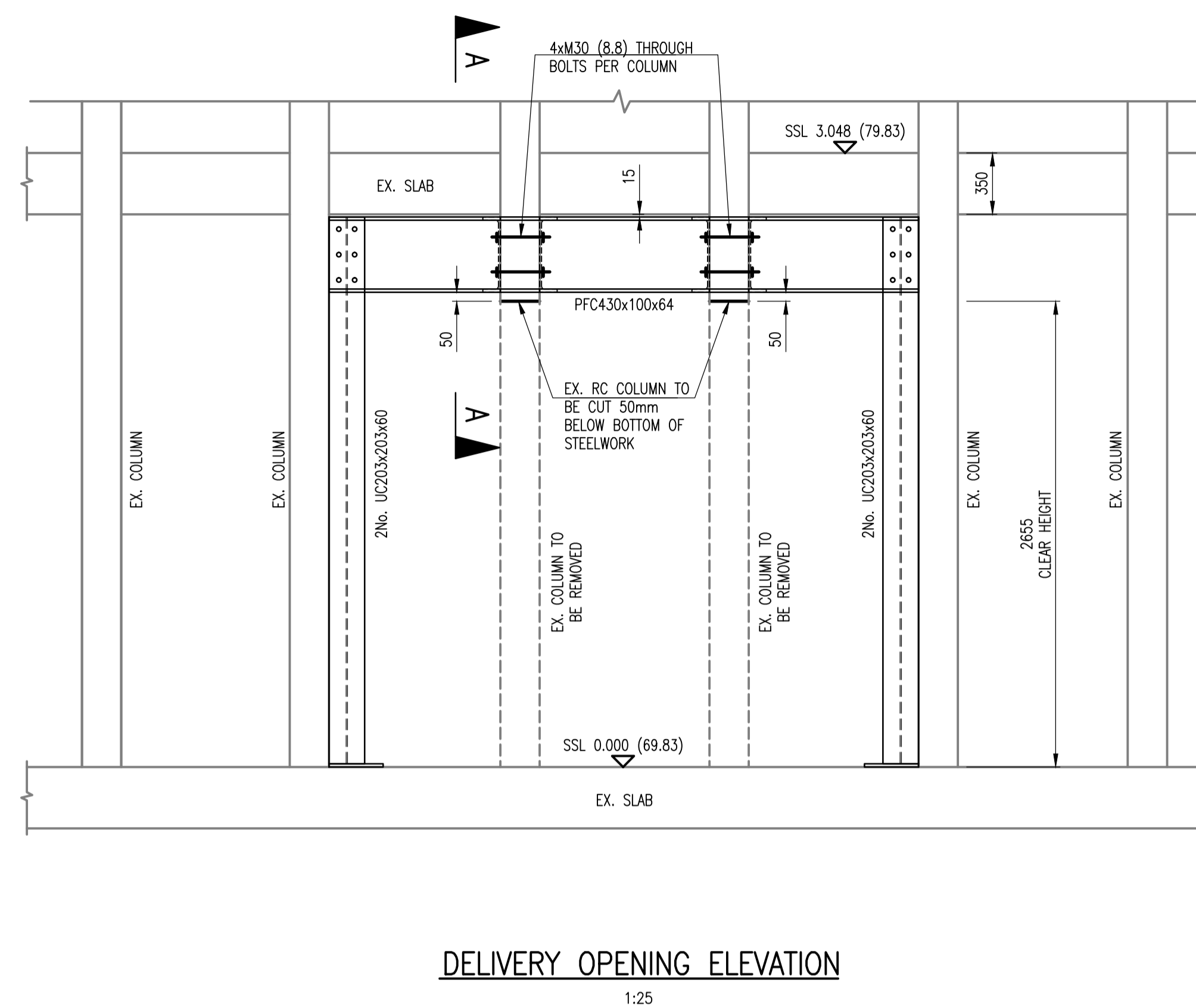
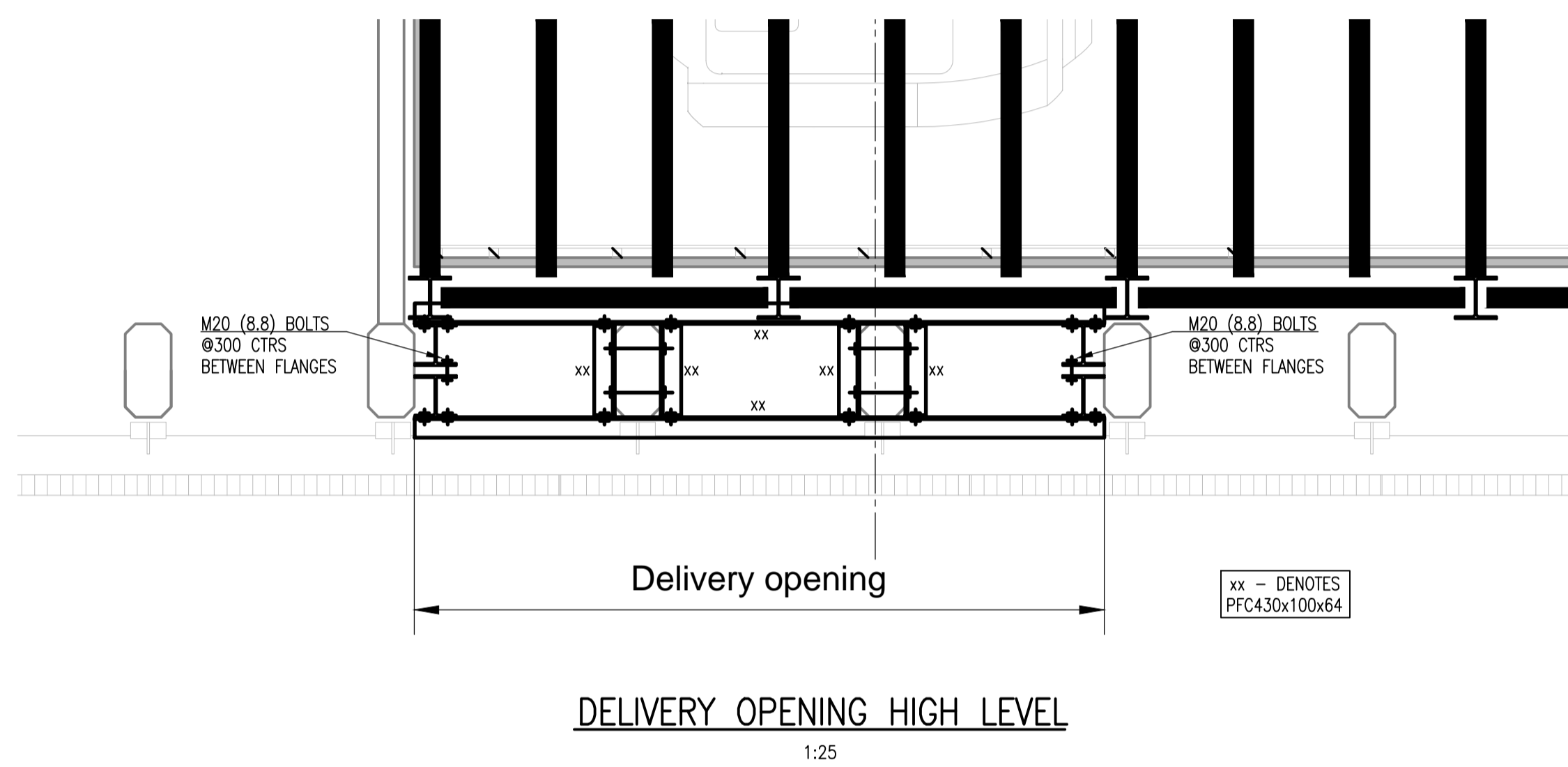
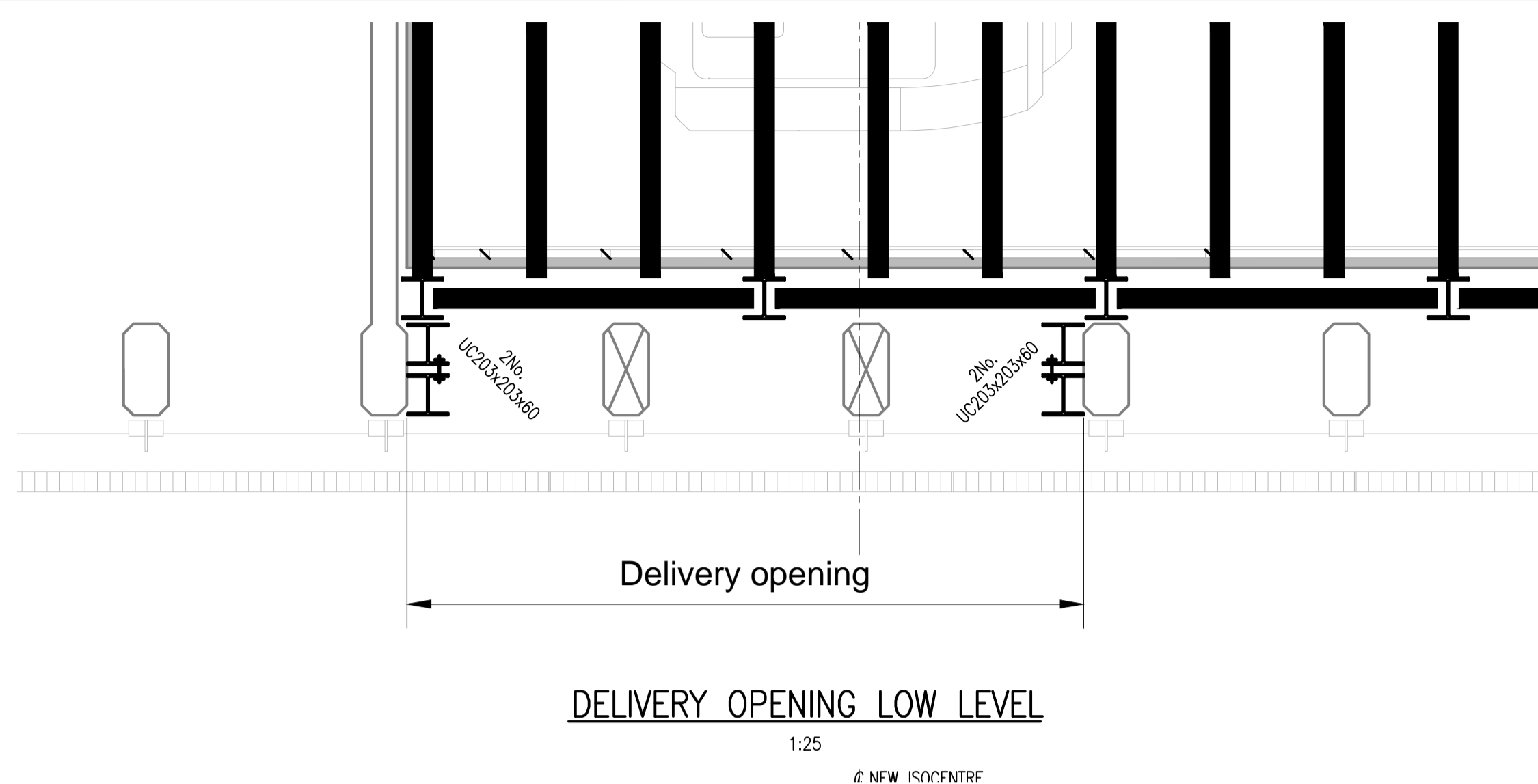
DO NOT SCALE

GENERAL NOTES

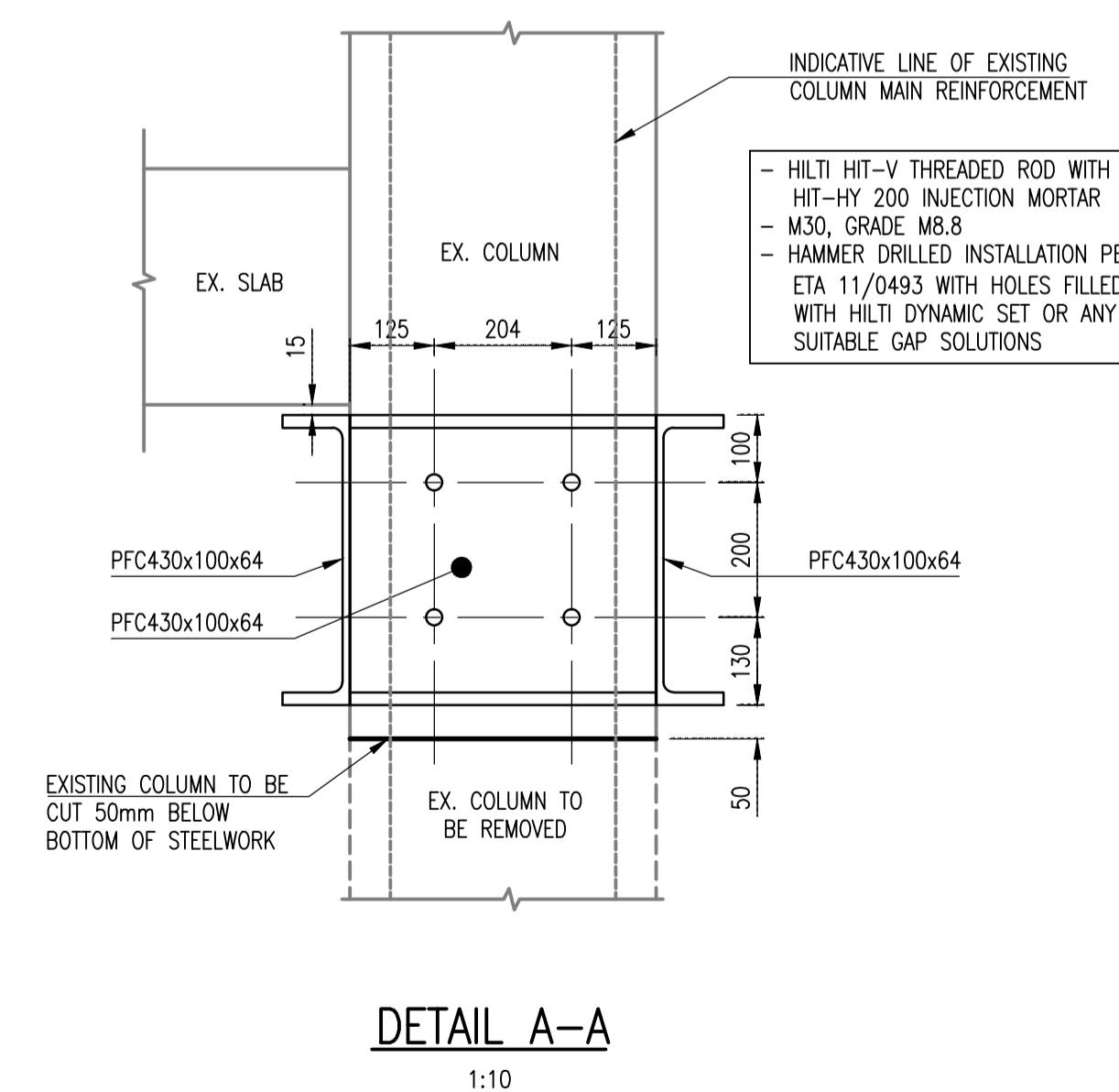
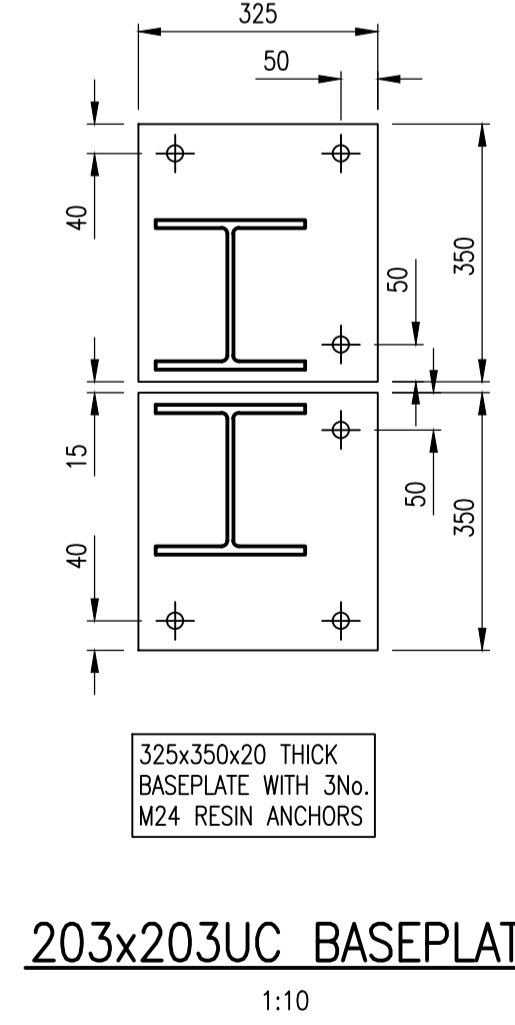
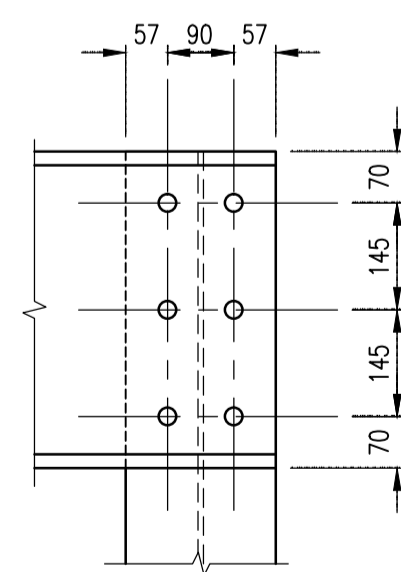
1. THIS DRAWING IS TO BE READ IN CONJUNCTION WITH CSM ARCHITECTS DRAWING 4443/15.
2. ALL STRUCTURAL STEELWORK TO COMPLY WITH BS.EN.1993
3. ALL STRUCTURAL STEELWORK TO BE GRADE S355 (U.N.O.) BRITISH MILD STEEL TO BS EN 10056-1:1999, BS.4-1:1993, BS EN 10210-2:1997 AND BS EN 10219-2:1997.
4. ALL STRUCTURAL STEELWORK TO BE BLAST CLEAN TO BS EN ISO 8501-1:2001, GRADE SA 2.5, FOLLOWED BY A HIGH BUILD ZINC PHOSPHATE PRIMER, TO 75 MICRON DRY FILM THICKNESS.
5. ALL BOLTS TO BE GRADE 8.8 ZINC PLATED
6. THE CONTRACTOR SHALL BE RESPONSIBLE FOR ANY TEMPORARY BRACING DURING ERECTION, AND ALL SHOP DETAILS FABRICATION DRAWINGS. THE FABRICATION DRAWINGS SHALL BE SUBMITTED.
7. THE CONTRACTOR SHALL ALLOW FOR ANY AMENDMENTS OF FABRICATION DETAILS ARISING FROM ENGINEERS COMMENTS
8. DIMENSION LINES ARE NOT TO BE SCALED FROM THIS DRAWING
9. THE CONTRACTOR SHALL COMPLY WITH THE HEALTH AND SAFETY REQUIREMENTS AS SET BY THE CDM REGULATIONS, THE HEALTH AND SAFETY EXECUTIVE.
10. THE CONTRACTOR SHALL BE RESPONSIBLE FOR THE EXECUTION OF THE WORKS IN ACCORDANCE WITH THE DRAWINGS AND THE SPECIFICATION AND FOR THE ACCURACY OF ALL THE DIMENSIONS AND SETTING OUT ON SITE
11. BEAM TO BEAM END CONNECTIONS:
 - 6No. M24 (8.8) BOLTS
 - 12mm THK END PLATES (AS APPLICABLE)
 - 6mm FILLET WELD

KEY TO HEALTH & SAFETY SYMBOLS

- WARNING RISK INDICATES A RESIDUAL RISK AS A WARNING.
- COMPULSORY RISK INDICATES A RESIDUAL RISK REQUIRING A COMPULSORY ACTION.
- PROHIBITIVE RISK INDICATES A RESIDUAL RISK REQUIRING A PROHIBITIVE ACTION.
- INFORMATION RISK INDICATES A RESIDUAL RISK FOR INFORMATION.



1. INSTALL STEELWORK AS PER DRAWING.
2. FOR THE COLUMNS TO BE REMOVED INSTALL M30 THROUGH BOLTS WITH INJECTION MORTAR TO FILL ENTIRE HOLE DRILLED THROUGH COLUMN.
3. INSTALL HILTI DYNAMIC SET AS PER GUIDELINES TO ENSURE BOLT IS IN FULL CONTACT WITH PFC.
4. ONCE STEELWORK IS COMPLETE CUT RC COLUMNS 50mm BELOW ANY STEELWORK.



SITE MEASUREMENTS REQUIRED TO CONFIRM SETTING OUT OF EXISTING STRUCTURE

EXISTING STRUCTURAL DETAILS/CONSTRUCTION TO BE CONFIRMED ON SITE PRIOR TO COMMENCING WORKS

REV	DATE	BY	DESCRIPTION	CHK	APP
02	07-02-18	NP	ISSUED FOR INFORMATION	NP	MRB
01	18-01-18	NP	ISSUED FOR INFORMATION	NP	MRB

DRAWING STATUS INFORMATION

One Queens Drive, Birmingham, B5 4PJ, UK
T+ 44 (0) 121 352 4700, F+ 44 (0) 121 352 4701
wsp.com

CLIENT: DD PORTER / SIEMENS

ARCHITECT: CSM ARCHITECTS LTD

SITE/PROJECT: UCLH, BIRKBECK UNIVERSITY MRI

TITLE: STRUCTURAL MRI DELIVERY OPENING STEELWORK SECTION AND DETAILS

SCALE @ A1: 1:25	CHECKED: MRB	APPROVED: MRB
PROJECT NO: 70038590	DESIGNED: NP	DRAWN: HD DATE: JAN 2018
DRAWING No:		REV:

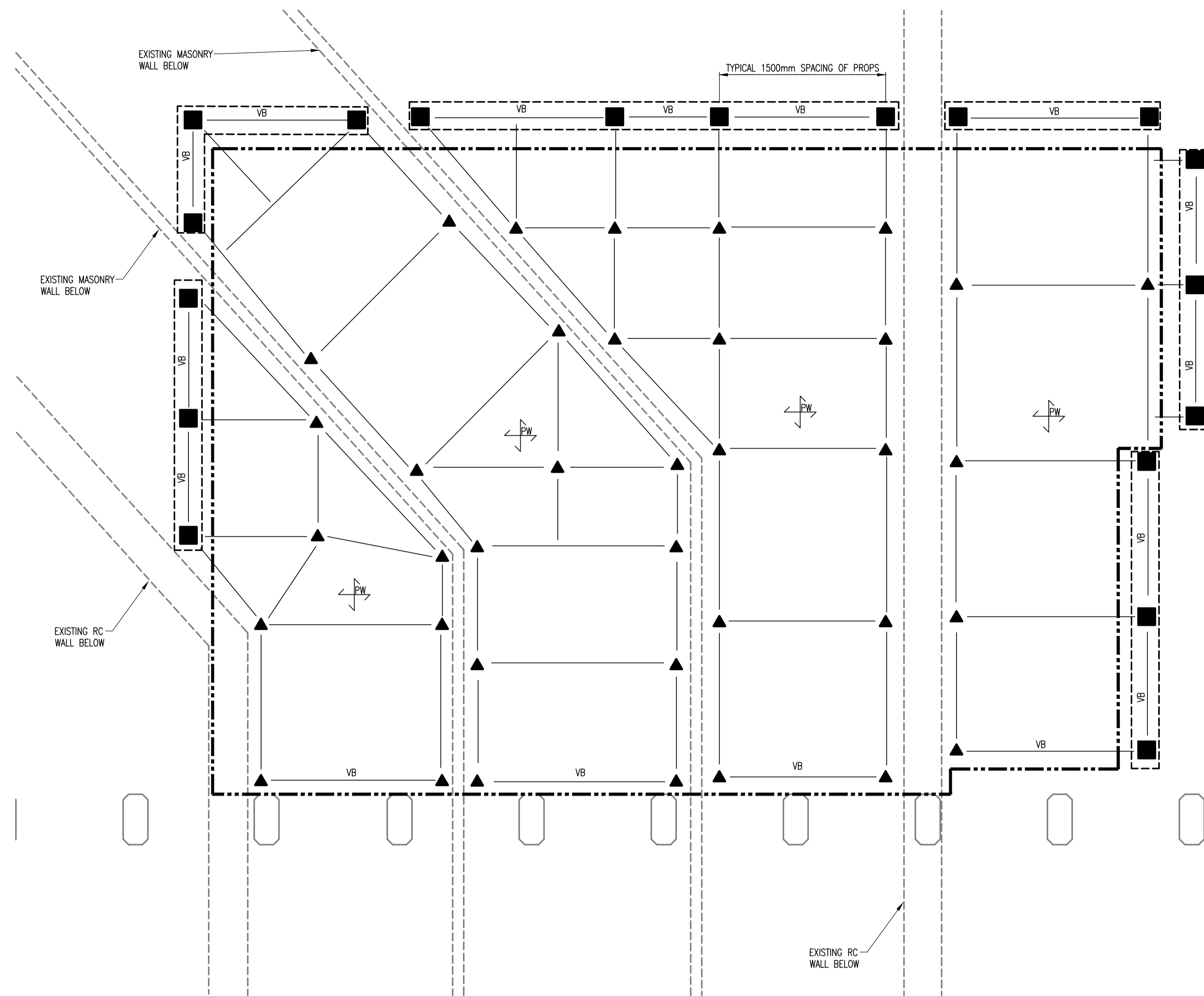
UCL-WSP-00-GF-DR-S-200104 02

© WSP UK Ltd

DO NOT SCALE

GENERAL NOTES

1. THIS DRAWING IS TO BE READ IN CONJUNCTION WITH CSM ARCHITECTS DRAWING 4443/15.
2. FOR STRUCTURAL GENERAL ARRANGEMENT REFER TO UCL-WSP-00-GF-DR-S-200101.



INDICATIVE LINE OF PROP BRACING, TO BE CONFIRMED BY SPECIALIST

MABEYHIRE, SYSTEM 160 SOLDIER PROPS OR SIMILAR TO BE USED. (EACH PROP LOAD APPROX. = 100kN)

- OUTLINE OF EXISTING SLAB TO BE CUT
- ▲ MAIN PROPS SUPPORTING CRASH DECK. TO BE REMOVED ONCE SLAB HAS BEEN CUT
- MAIN PROPS SUPPORTING SLAB ALONG CUT EDGE. TO BE REMOVED ONCE FULL WORKS HAVE BEEN COMPLETED.
- 50mm RIGID PACKER TO UNDERSIDE OF SLAB TO PROVIDE CONTINUOUS SUPPORT
- HORIZONTAL SOLDIER PROPS SET AT 50mm BELOW SLAB SOFFIT
- VB HORIZONTAL SOLDIER PROPS SET AT 50mm BELOW SLAB SOFFIT WITH A DIAGONAL SCAFFOLD TUBE BRACING.
- ↔ 2x18mm (MIN) PLYWOOD CRASH DECK ON SECONDARY SUPPORT SET AT 25mm BELOW SLAB SOFFIT.

1. INSTALL PROPS, PROP BRACING AND PLYWOOD CRASH DECK AS INDICATIVELY SHOWN TO SUPPORT EXISTING 350mm THICK CONCRETE SLAB. CRASH DECK TO BE INSTALLED 25mm BELOW SOFFIT OF EXISTING SLAB.
2. CORE DRILL AND REMOVE EXISTING 350mm THICK SLAB
3. ONCE ALL CONCRETE HAS BEEN REMOVED THE INNER PROPS CAN BE REMOVED (DENOTED BY TRIANGLES). PROPS SUPPORTING THE EXISTING SLAB EDGE ARE TO REMAIN (DENOTED BY SQUARES).
4. DIG/CAST NEW RC STUB COLUMN FOUNDATIONS.
5. CAST RC STUB COLUMNS.
6. INSTALL REQUIRED DOWEL BARS FOR CONNECTION OF NEW SLAB BACK TO THE EXISTING SLAB. CAST NEW 350thk SLAB.
7. PROPS SUPPORTING THE EXISTING SLAB EDGE ARE TO REMAIN AFTER THE NEW SLAB HAS BEEN CAST FOR A MINIMUM OF 14 DAYS TO ALLOW CONCRETE TO GAIN STRENGTH.

KEY TO HEALTH & SAFETY SYMBOLS

- ⚠ WARNING RISK INDICATES A RESIDUAL RISK AS A WARNING.
- ⓘ COMPULSORY RISK INDICATES A RESIDUAL RISK REQUIRING A COMPULSORY ACTION.
- ⊘ PROHIBITIVE RISK INDICATES A RESIDUAL RISK REQUIRING A PROHIBITIVE ACTION.
- ℹ INFORMATION RISK INDICATES A RESIDUAL RISK FOR INFORMATION.

GROUND FLOOR PROPPING PLAN

1:25

SITE MEASUREMENTS REQUIRED TO CONFIRM SETTING OUT OF EXISTING STRUCTURE

⚠ EXISTING STRUCTURAL DETAILS/CONSTRUCTION TO BE CONFIRMED ON SITE PRIOR TO COMMENCING WORKS

REV	DATE	BY	DESCRIPTION	CHK	APP
02	07-02-18	NP	ISSUED FOR INFORMATION	NP	MRB
01	18-01-18	NP	ISSUED FOR INFORMATION	NP	MRB

INFORMATION



One Queens Drive, Birmingham, B5 4PJ, UK
T+ 44 (0) 121 352 4700, F+ 44 (0) 121 352 4701
wsp.com

CLIENT: DD PORTER / SIEMENS

ARCHITECT: CSM ARCHITECTS LTD

SITE/PROJECT: UCLH, BIRKBECK UNIVERSITY MRI

TITLE: STRUCTURAL GROUND FLOOR / FOUNDATION PROPPING REQUIREMENTS

SCALE @ A1: 1:25	CHECKED: MRB	APPROVED: MRB
PROJECT NO: 70038590	DESIGNED: NP	DRAWN: HD DATE: JAN 2018

DRAWING No: UCL-WSP-00-GF-DR-S-200105 REV: 02

© WSP UK Ltd