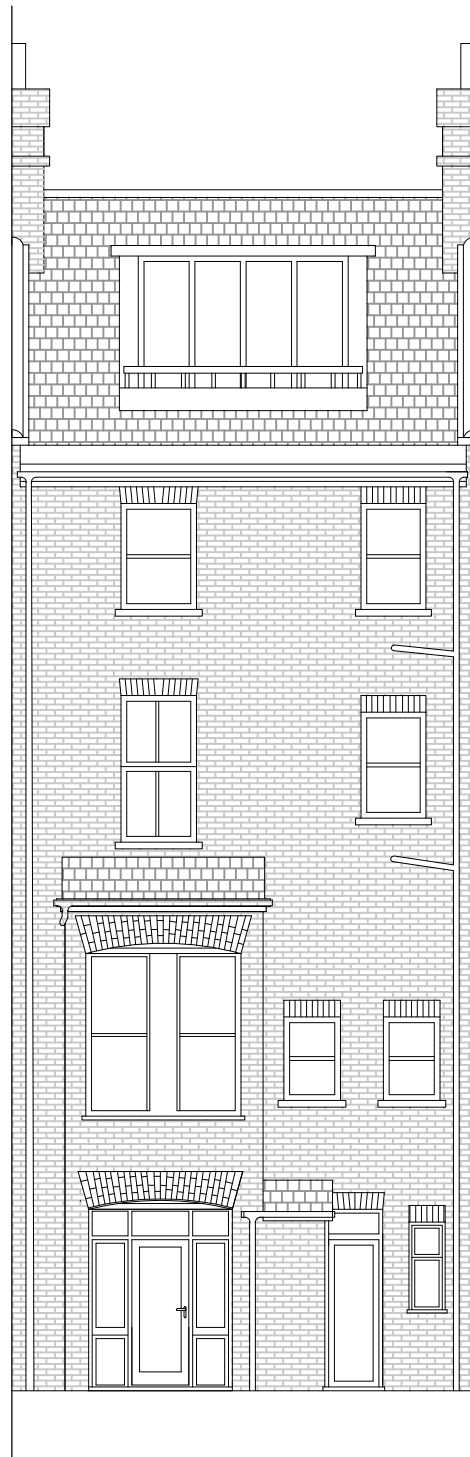
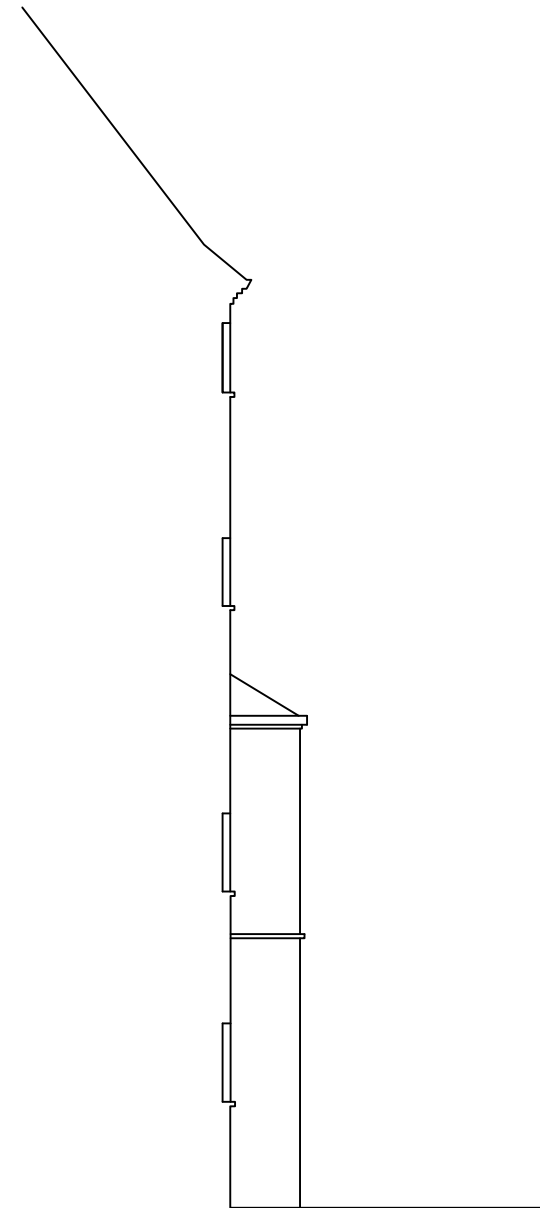


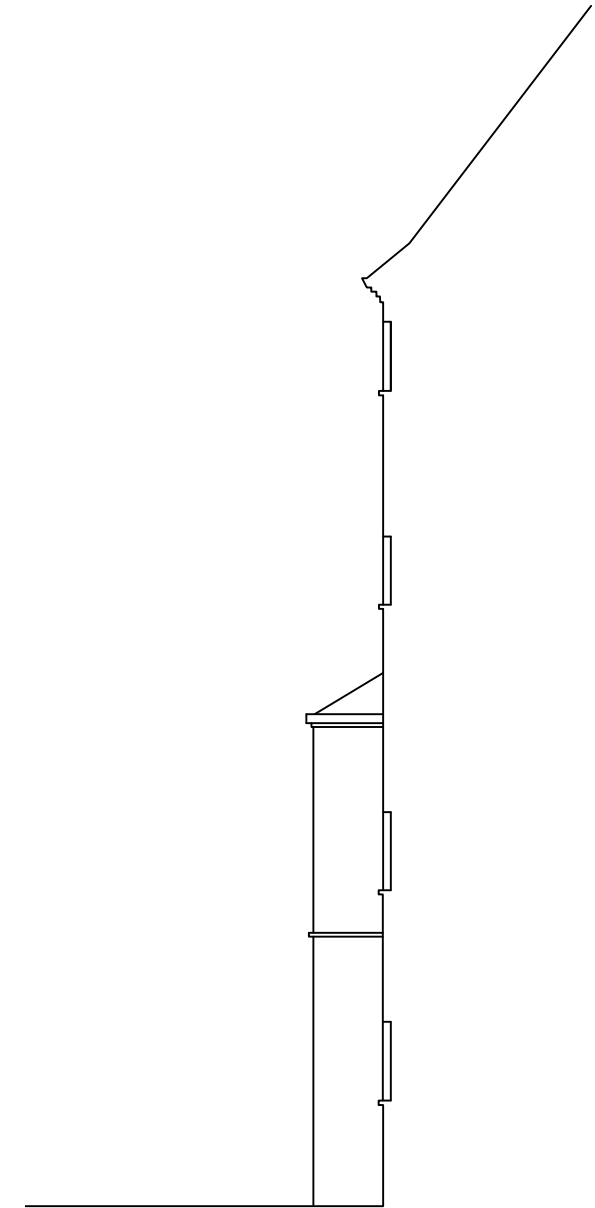
FLOOR PLAN
68.5 sqm



REAR ELEVATION



SIDE ELEVATION



SIDE ELEVATION



NOTE: THESE DRAWINGS ARE FOR PLANNING ONLY. DO NOT CONSTRUCT FROM THESE DRAWINGS FOR. A MEASURED SURVEY IS REQUIRED ON SITE BEFORE CONSTRUCTION.

Job title 25 a GREENCROFT GARDENS NW6 3LN			
Drawing title EXISTING PLANS			
Job No 1804_PL02	Scale @ A3 1:100	Date 02/18	Drawn by BP
		www.randRplanning.co.uk RobertJon@Live.co.uk Tel: 07436007718	