

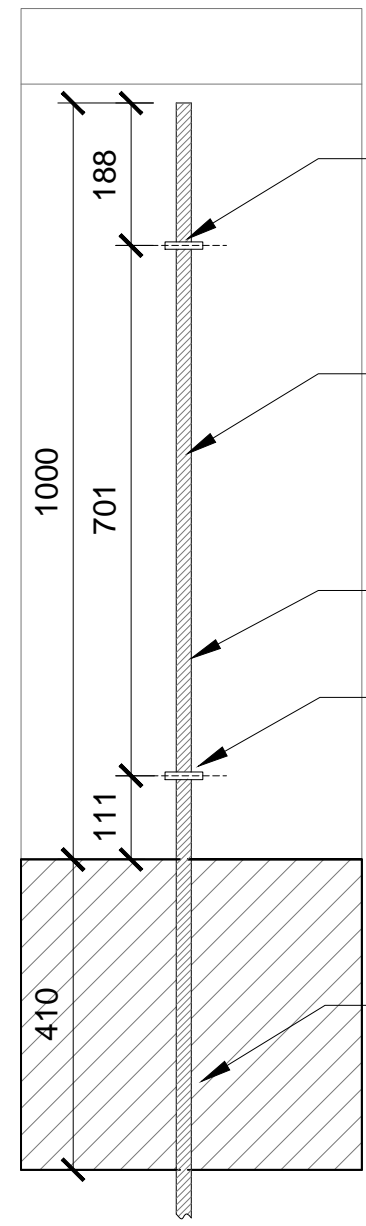
USE FIGURED DIMENSIONS ONLY
DO NOT SCALE FROM THIS DRAWING.

ALL DIMENSIONS MUST BE CHECKED ON SITE ANY
INCONSISTENCIES MUST BE REPORTED BACK TO THE ARCHITECT.

THIS DRAWING AND ANY DESIGNS INDICATED THEREON ARE THE
COPYRIGHT OF BROOKS / MURRAY ARCHITECTS.
ALL RIGHTS ARE RESERVED.
NO PART OF THIS WORK MAY BE PRODUCED WITHOUT PRIOR
PERMISSION IN WRITING FROM BROOKS / MURRAY ARCHITECTS.

PLANNING STAGE DRAWINGS SHOULD NOT BE USED FOR
CONSTRUCTION.

Gate and Railing Elevation
1:50 South Elevation Calthorpe Street



Prefabricated horizontal members 50 x 10mm sections, mostly welded off site and part welded on site.

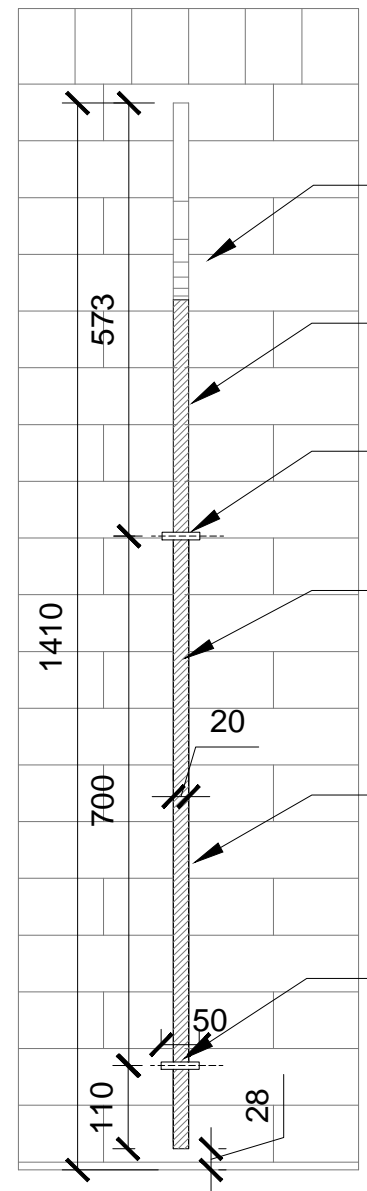
Wrought iron bespoke mid grey railing by Verdigris (www.verdigrismetals.co.uk) or similar approved

All gate and railing painted with micaceous iron oxide grey (RAL colour 7037)

Prefabricated horizontal members part welded in sections, off site and part welded on site.

Every 11th vertical post is ground fixed into the cement on site and the brick wall built around it

Section through railing
1:5



Incremental symmetrical spoke sizes, heights tbc by gate manufacturer and contractor.

Prefabricated horizontal members with pre punched square holes

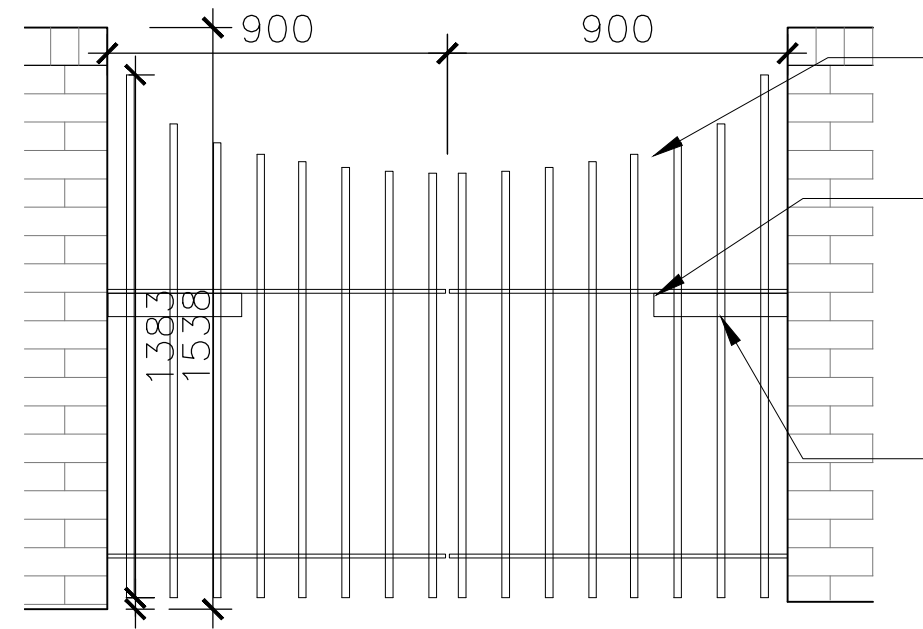
Prefabricated horizontal members 50 x 10mm sections, mostly welded off site and part welded on site.

All gate and railing painted with micaceous iron oxide grey (RAL colour 7037)

Wrought iron bespoke mid grey gate by Verdigris (www.verdigrismetals.co.uk) or similar approved

Prefabricated horizontal members part welded in sections, off site and part welded on site.

Section through Gate
1:5



1:20 South Elevation Gate

Gate prefabricated into 1980mm sections and ground fixed or trimmed on site

No manual opening electric entryfob access only-no handle

Covering plate on outside of gate dimensions tbc by gate kit manufacturer

gate entryfob manufacturer and contractor-
<http://www.electric-gates.com/driveway-gates/access>

A			
REV.	AMENDMENT	BY:	DATE
BROOKS / MURRAY			
ARCHITECTS			
8-10 NEW NORTH PLACE LONDON EC2A 4JA			
TEL 020 7739 9955 FAX 020 7739 9944			
architects@brooksmurray.com			

CLIENT: Simon Firth	
JOB: 51 Calthorpe Street London WC1X 0HH	
DRAWING TITLE: Proposed Railing and gate Details Sheet	
SCALE: 1:50/1:20/1:5 @ A3	
DATE: NOV 2016	
STATUS: PA	DRAWN BY: SS
DRAWING NUMBER: 939 - 500	ISSUED BY: SS
REV: 1	

Bespoke Railing and Gate detail
1:5, 1:20 and 1:10

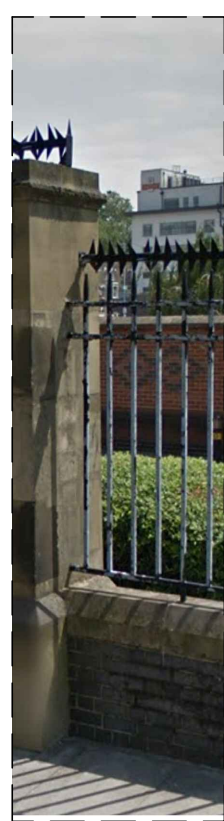
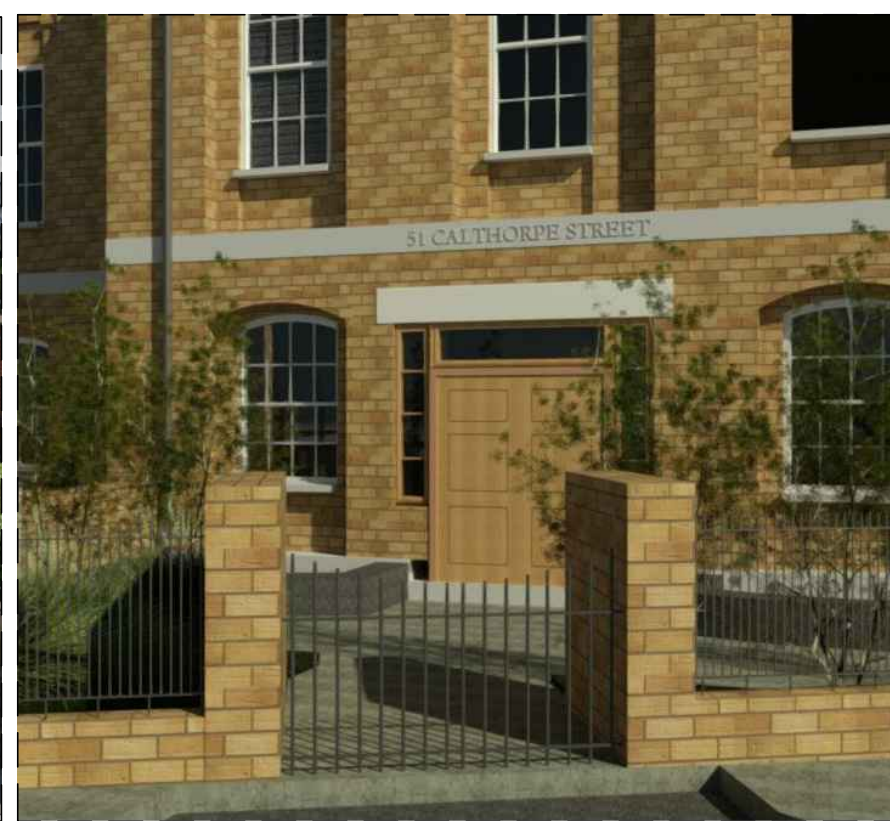


Photo of Mount pleasant gate opposite



CGI closeup of gate Entrance at street level