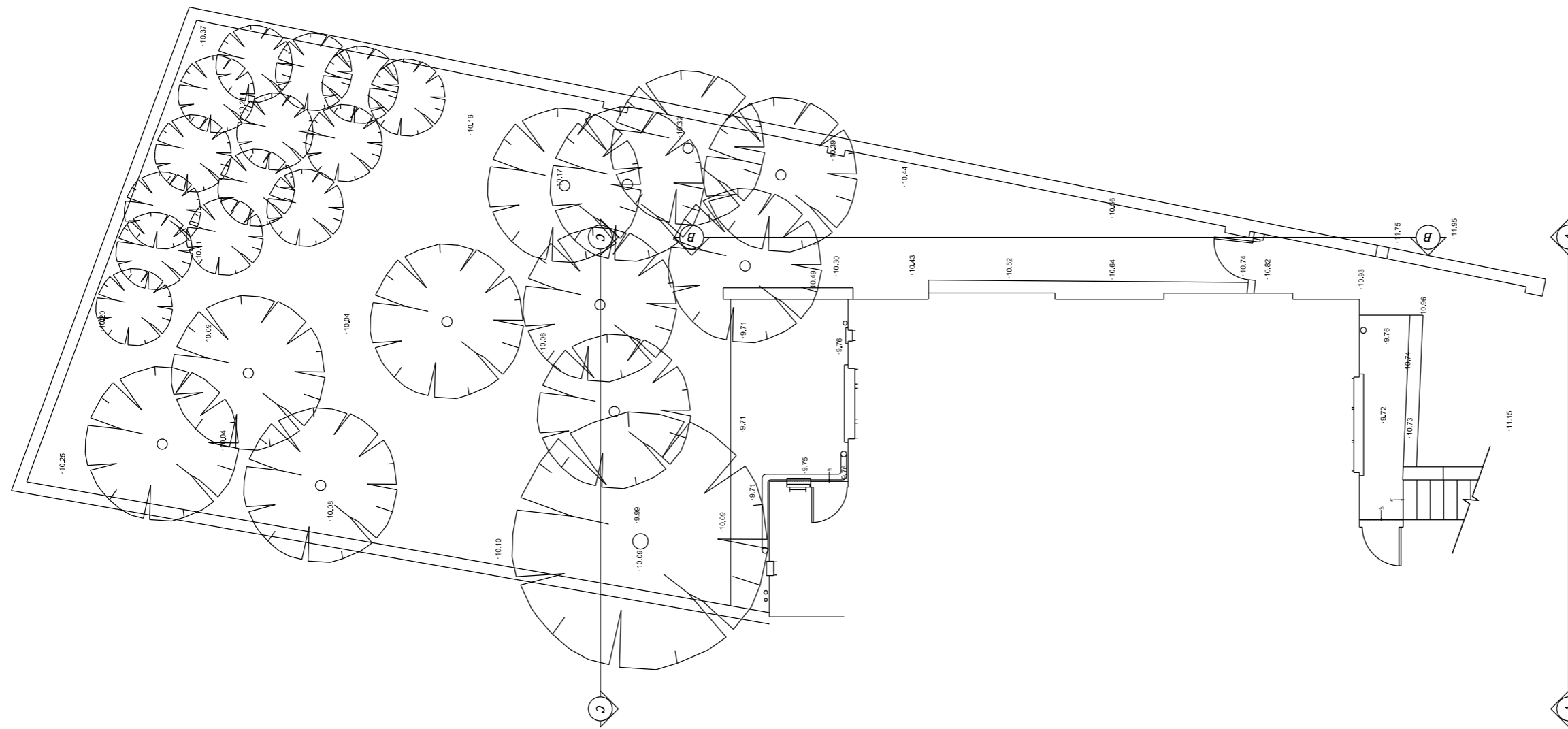


Do not scale from this drawing
All dimensions to be checked on site

Notes:



SITE PLAN

1:100 AT A3

Amendments:
#

Drawing type:

Client:
L. B. CAMDEN

Project:
**20 Leighton Crescent
Kentish Town, London, NW5 2QY**

Title:
EXISTING SITE PLAN (1:100@A3)

Scale: **1:100 @ A3** Date: **16/01/18**

Drawn: **DL** Checked: **SB**

Drg.no: **40-SK(0)003** Rev: **#**

Heritage Surveys Ltd.

Heritage Surveys Limited
Unit 11H, Carlton Road
South Croydon
Surrey
CR2 0BS
www.heritage-surveys.com



1:100 AT A3