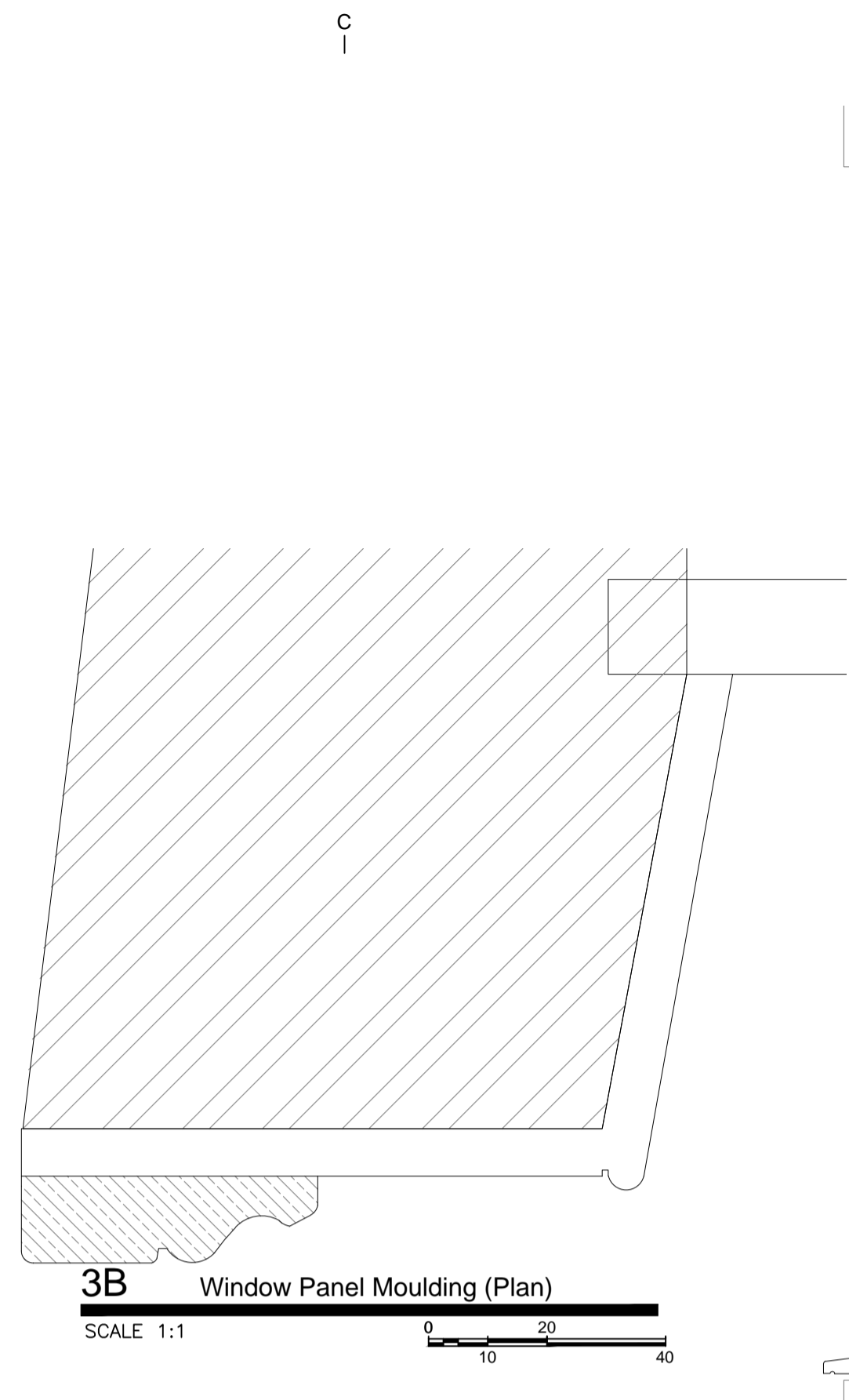
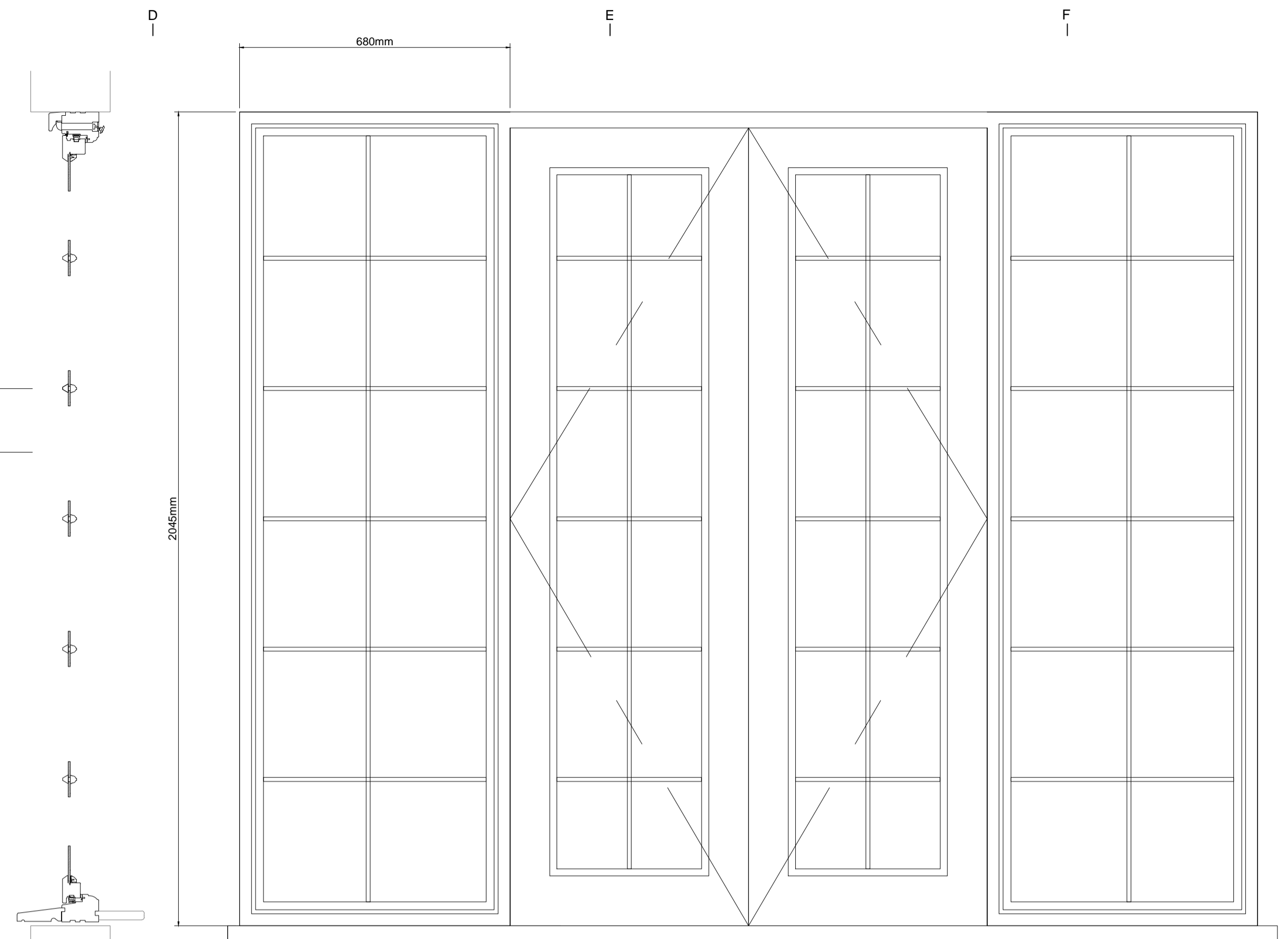


W2 Timber single glazed with structural glazing and putty fillets.

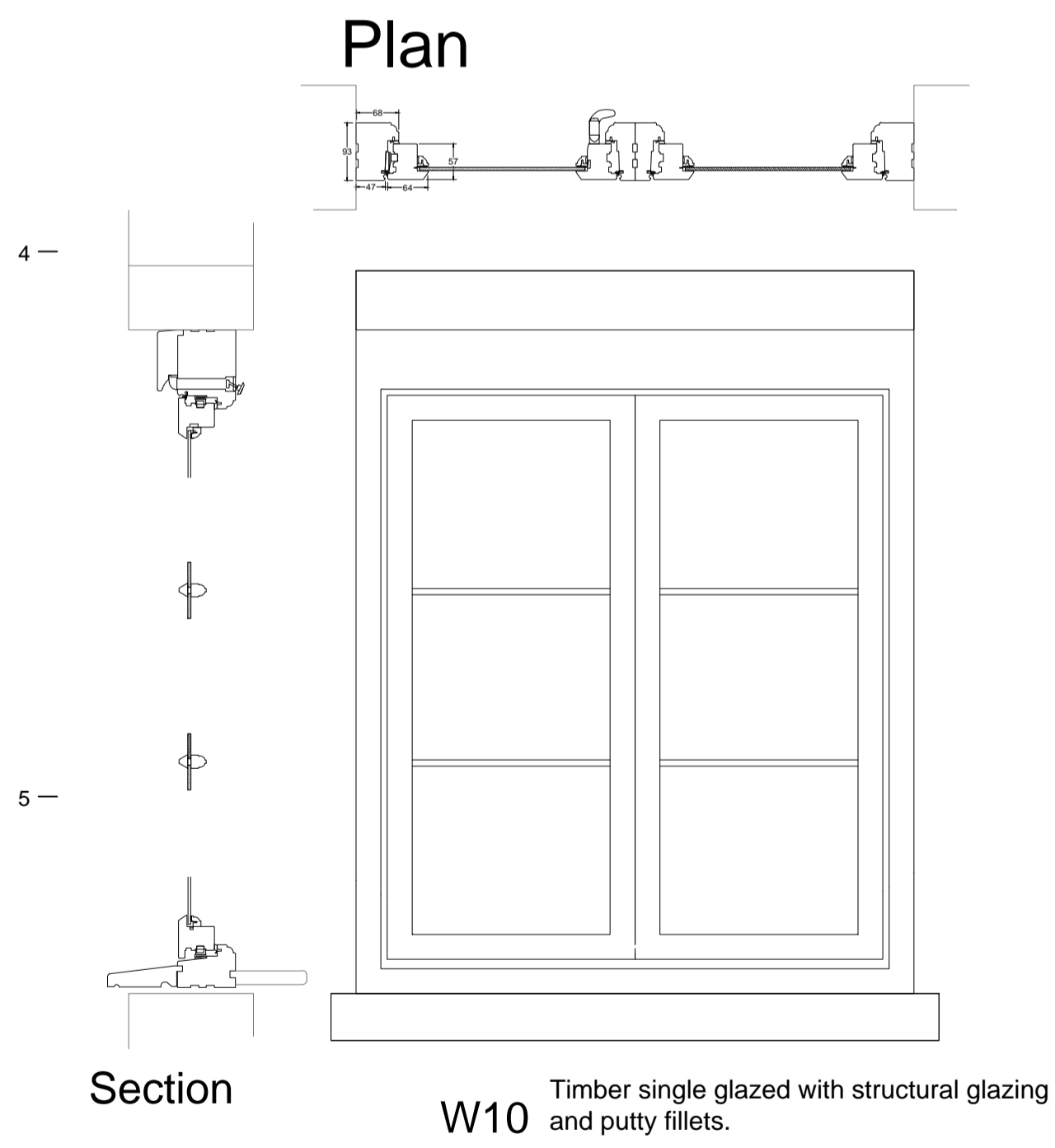
**Section**  
3A SASH WINDOW LOWER GROUND FLOOR  
SCALE 1:10



3B Window Panel Moulding (Plan)  
SCALE 1:1

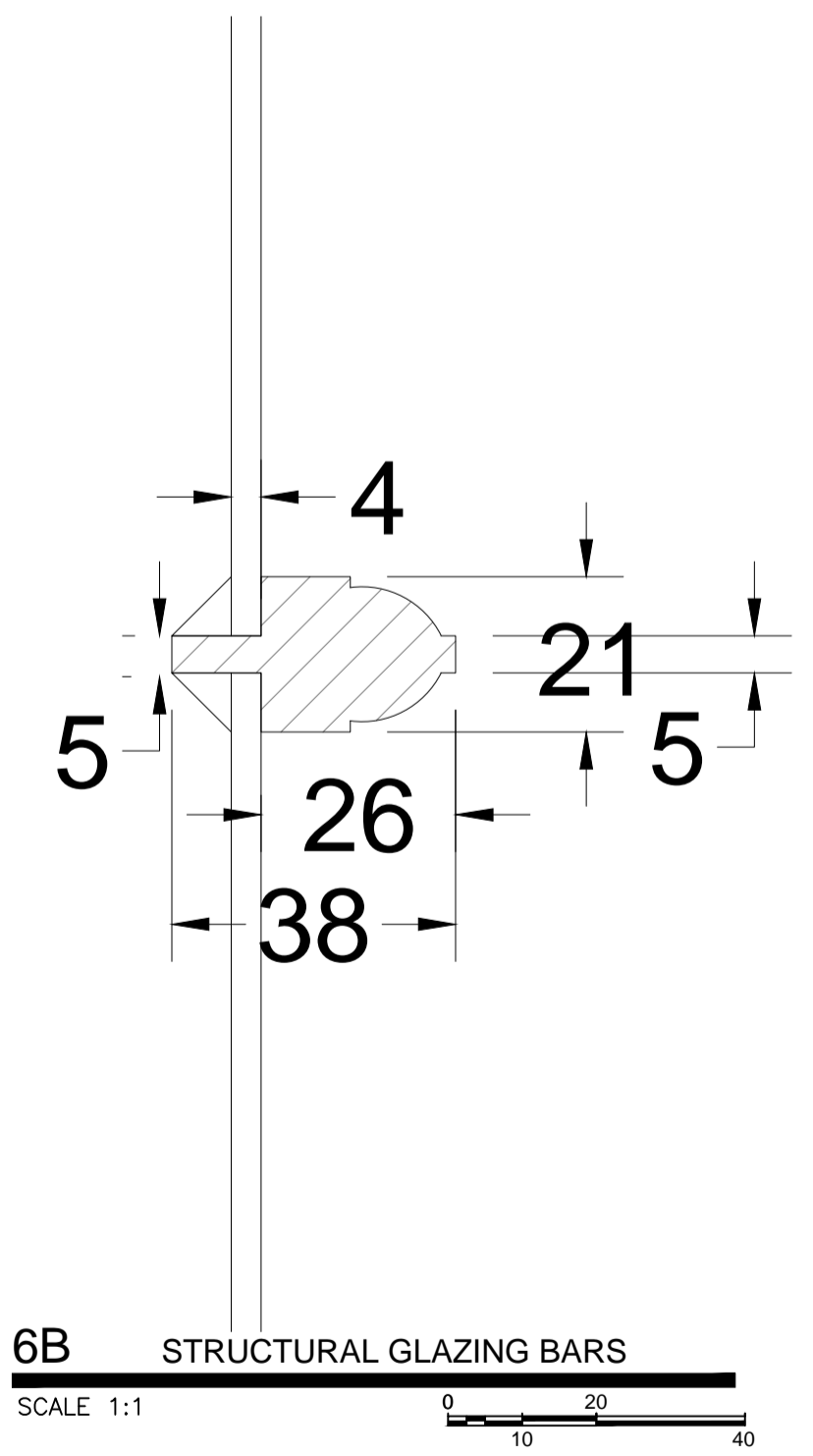


**Section**  
4D GROUND FLOOR REAR FRENCH DOORS (PAINTED TIMBER)  
SCALE 1:10

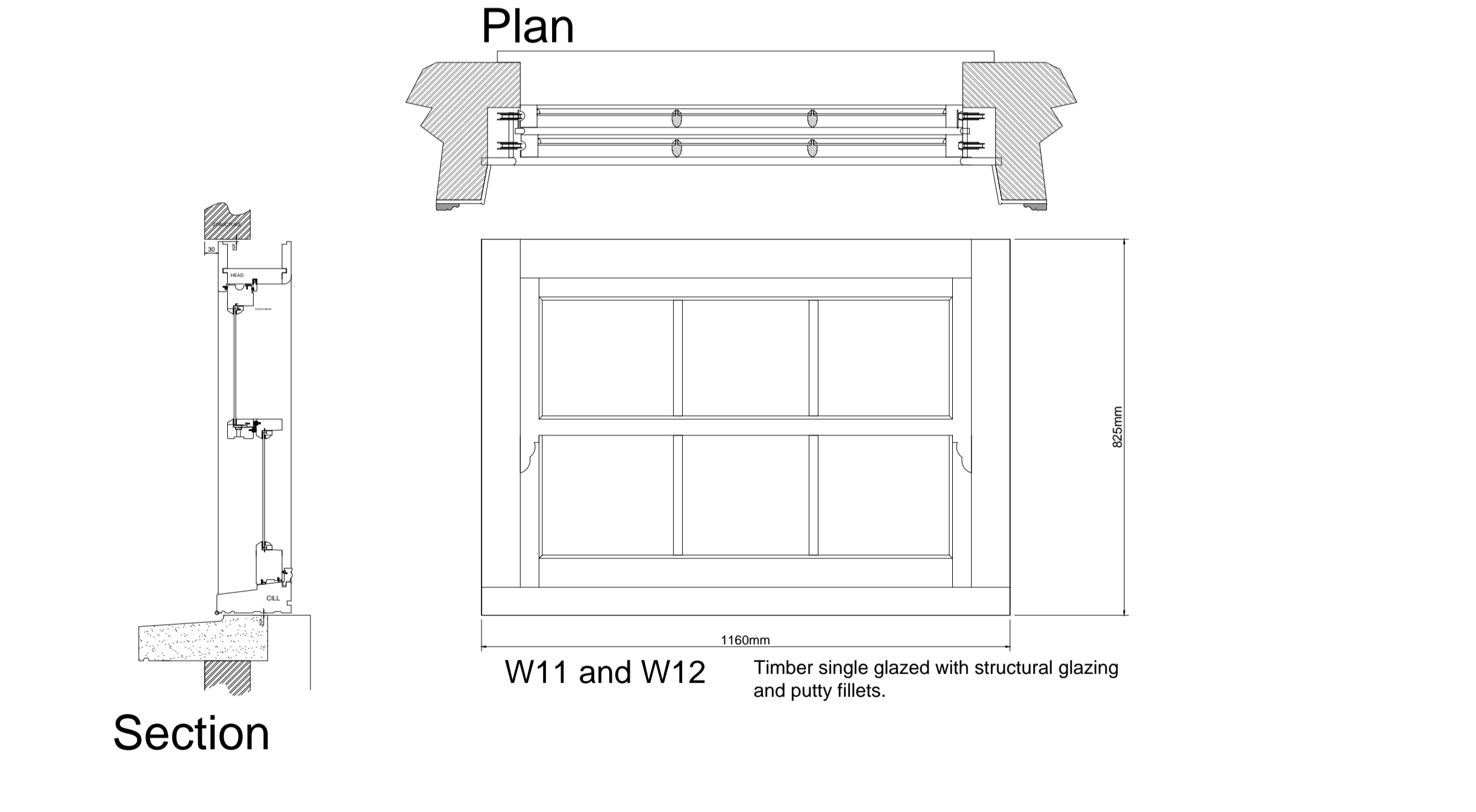


W10 Timber single glazed with structural glazing and putty fillets.

**Section**  
6A REAR CASEMENT WINDOW THIRD FLOOR  
SCALE 1:10



6B STRUCTURAL GLAZING BARS  
SCALE 1:1



**Section**  
6D SASH WINDOWS FRONT THIRD FLOOR  
SCALE 1:10

**Notes**  
All rights reserved.  
All drawings and written material appearing here, constitute original and unpublished work of the Architect and may not be duplicated, used or disclosed without written consent of the Architect.  
Notes and material designations are typical for similar conditions unless otherwise indicated.

Rev	Date	Description	Rev By	Clk By
A	27/02/18	Drawing updated	NP	SK

Drawn By: NP  
Checked By: SK

Client: Christ and Yioula Ltd

**KOUPPARIS ASSOCIATES**  
CHARTERED ARCHITECTS  
0207 267 6909/6874

Project Title: 24 Camden Road, London NW1 9DP

Drawing Title: Door and Window Elevations and Sections

Status: -

Project Number	14/0175	Drawing Number	
Scale	1:10 1:1 (A1)	Sheet No.	Rev.
Date	30/01/2018	16-175-51	A
Revised	27/02/18		