



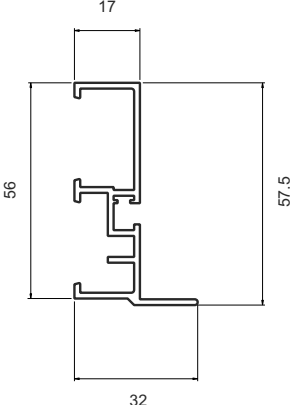
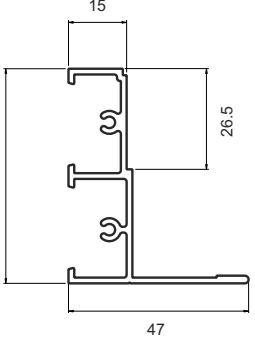
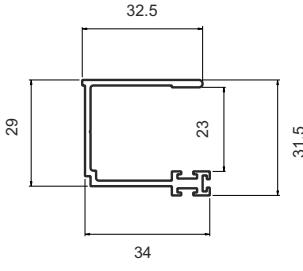
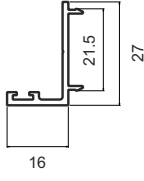
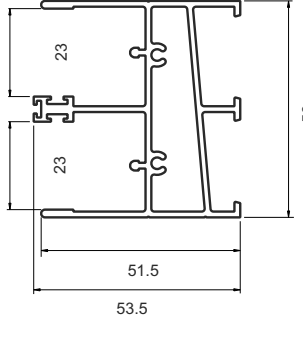

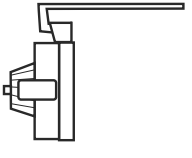
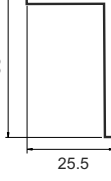
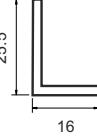
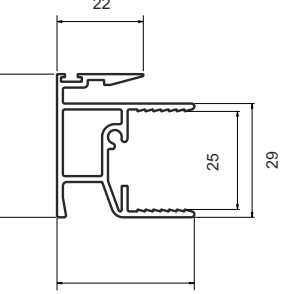
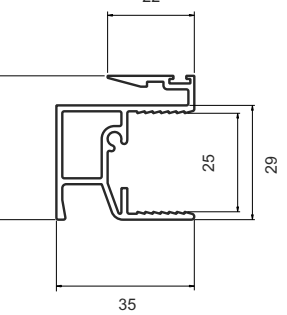
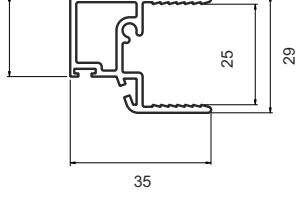
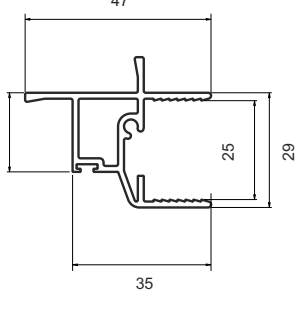
DURATION WINDOWS

Horizontal Sliding Secondary Glazing Heavy Duty System Section Identification

Contents

- Section Identification Overview Page 2
- Outerframes Page 3
- Sliding Panels Page 5
- Other Parts Page 6
- Two Pane Secondary Glazing Page 7
- Three Pane Secondary Glazing Page 8
- Four Pane Secondary Glazing Page 12

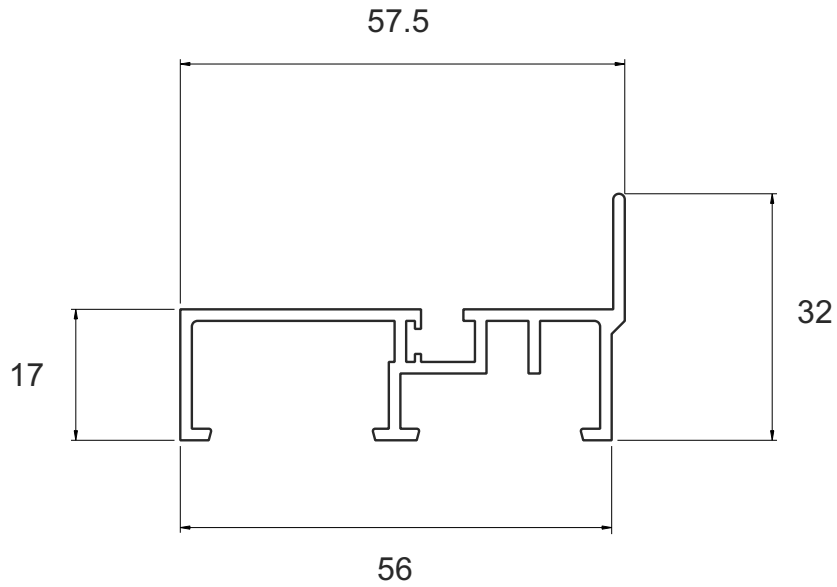
Overview

<p>Heavy Duty Outerframe - Side</p> <p>HD 97 Outerframe without screw ports</p> 	<p>Heavy Duty Outerframe Head</p> <p>HD 98 Outerframe with screw ports</p>  <p>HD 99 2nd Track</p> 	<p>Heavy Duty Outerframe Foot</p> <p>HD 102 Optional Odd Leg Extension (for head and foot)</p>  <p>HD 103 Outerframe with screw ports</p> 
<p>Wheels & Fitch Catch</p> <p>Wheels</p>  <p>Fitch Catch</p> 	<p>Sliding Panel Frame Interlocks</p> <p>HD L1 Meeting stile Interlock</p>  <p>HD L2 Meeting stile Interlock</p>  <p>HD 45 Sliding Panel Interlock With Handrail</p>  <p>HD 45Rev Sliding Panel Reverse Interlock With Handrail</p> 	
<p>Sliding Panel Frame</p> <p>HD 46 Sliding Panel</p>  <p>HD 47 Sliding Panel With Handrail</p> 		

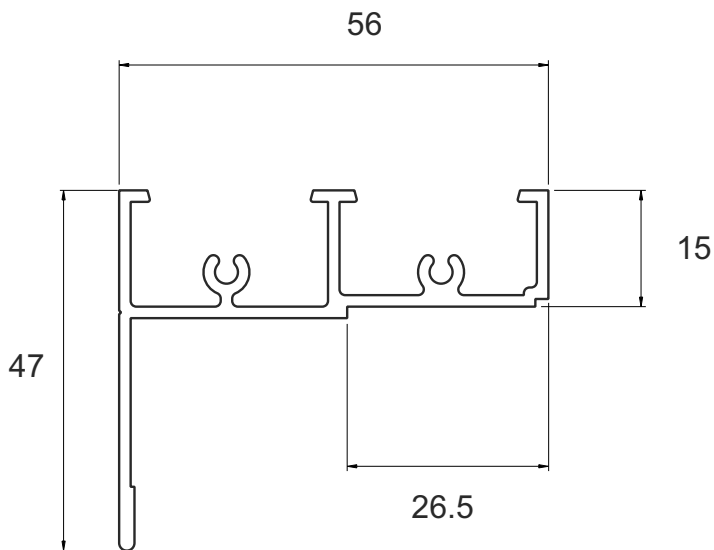


Heavy Duty Outerframe

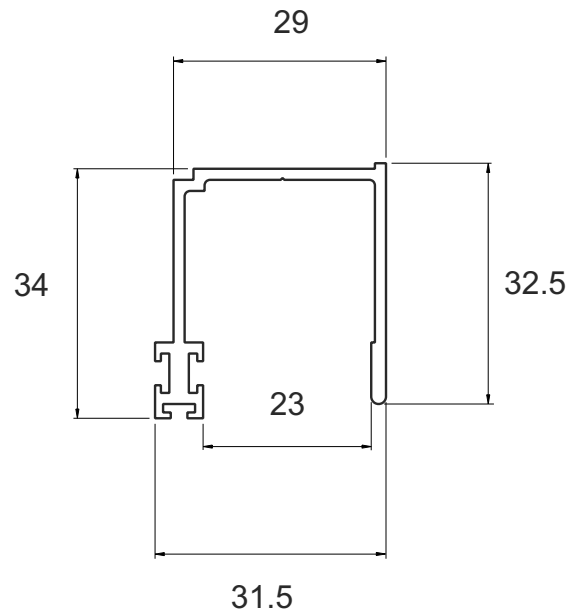
HD 97
Outerframe Jamb
without screw ports



HD 98
Outerframe Head
with screw ports



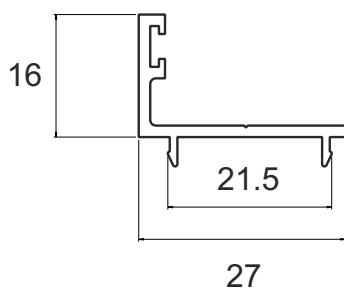
HD 99
Outerframe Head
2nd Track



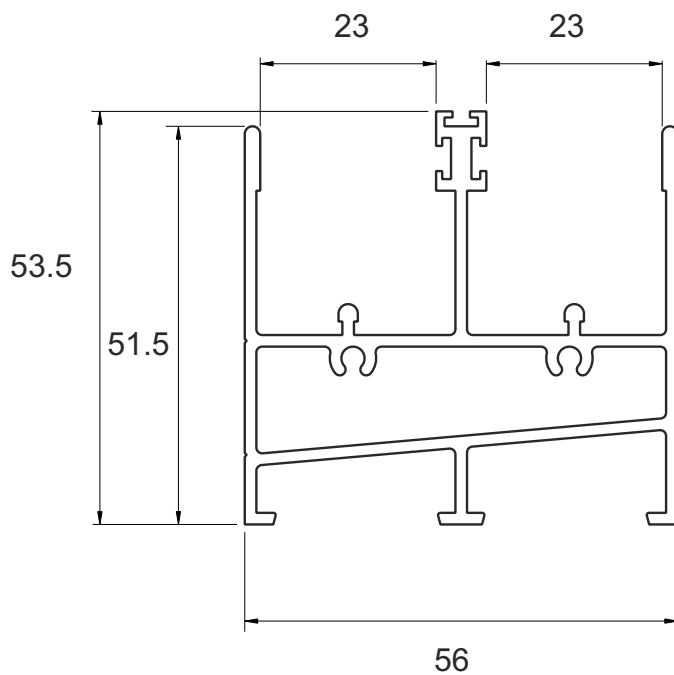


Heavy Duty Outerframe

HD 102
Optional Odd Leg
Extension
(for head and foot)



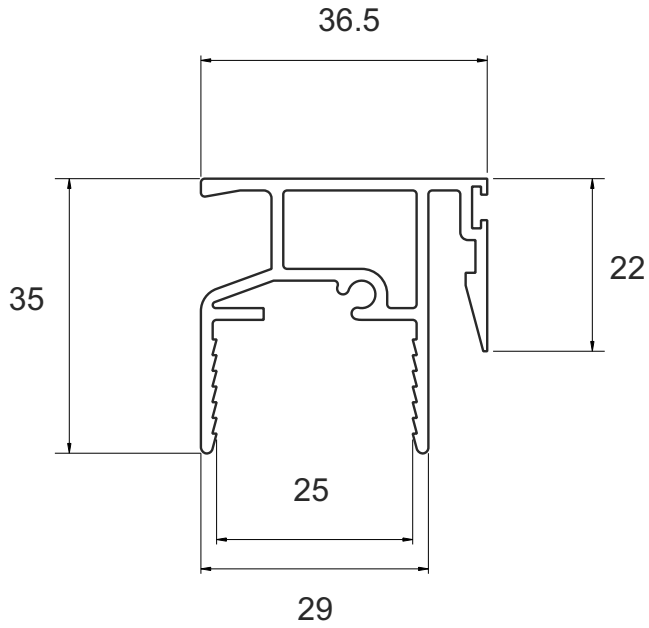
HD 103
Outerframe Bottom
with screw ports



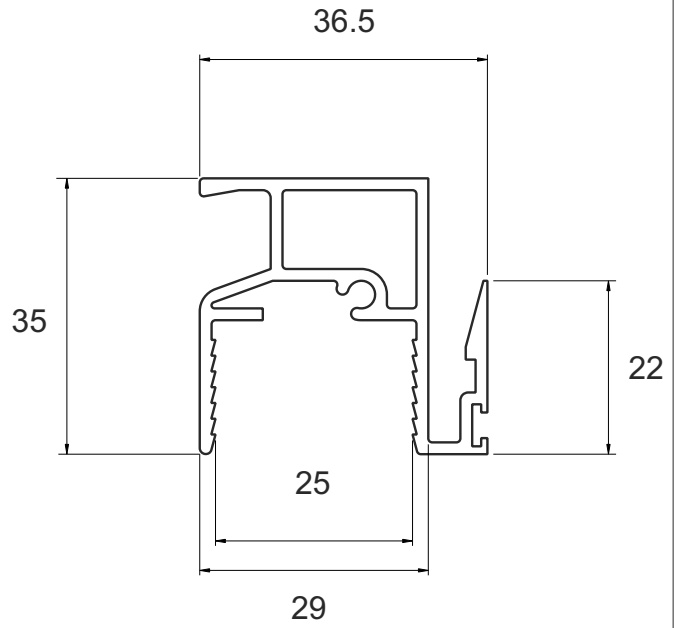


Sliding Panel

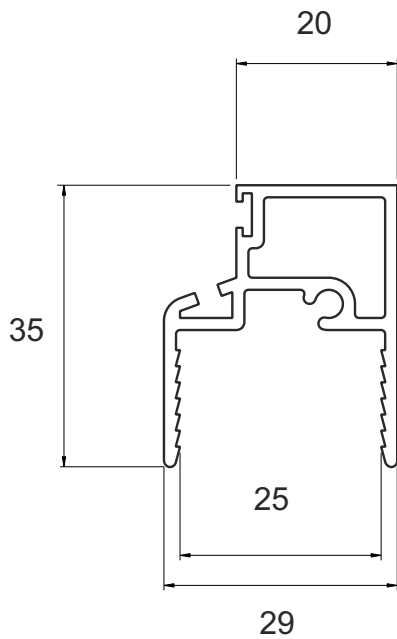
HD 45
Sliding Panel
Interlock With Handrail



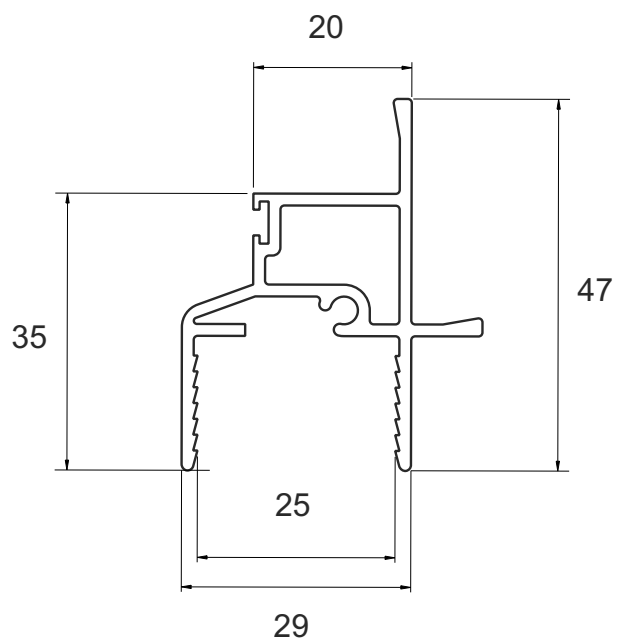
HD 45Rev
Sliding Panel
Reverse Interlock
With Handrail



HD 46
Sliding Panel



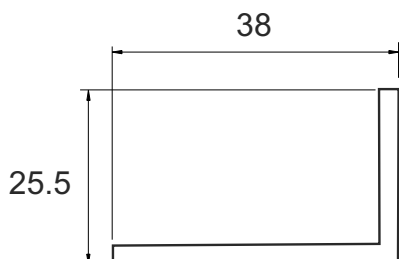
HD 47
Sliding Panel
With Handrail



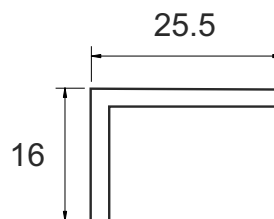


Sliding Panel - Meeting Stiles

HD L1
Meeting Stile Interlock

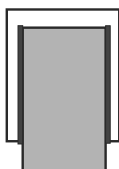


HD L2
Meeting Stile Interlock

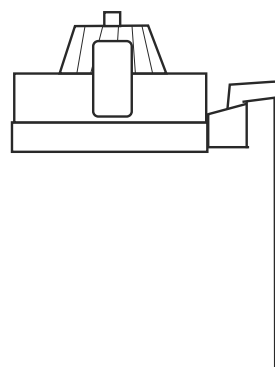


Wheels & Fitch Catch

Wheels

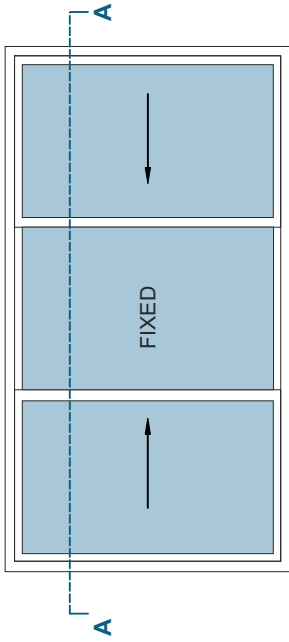


Fitch Catch

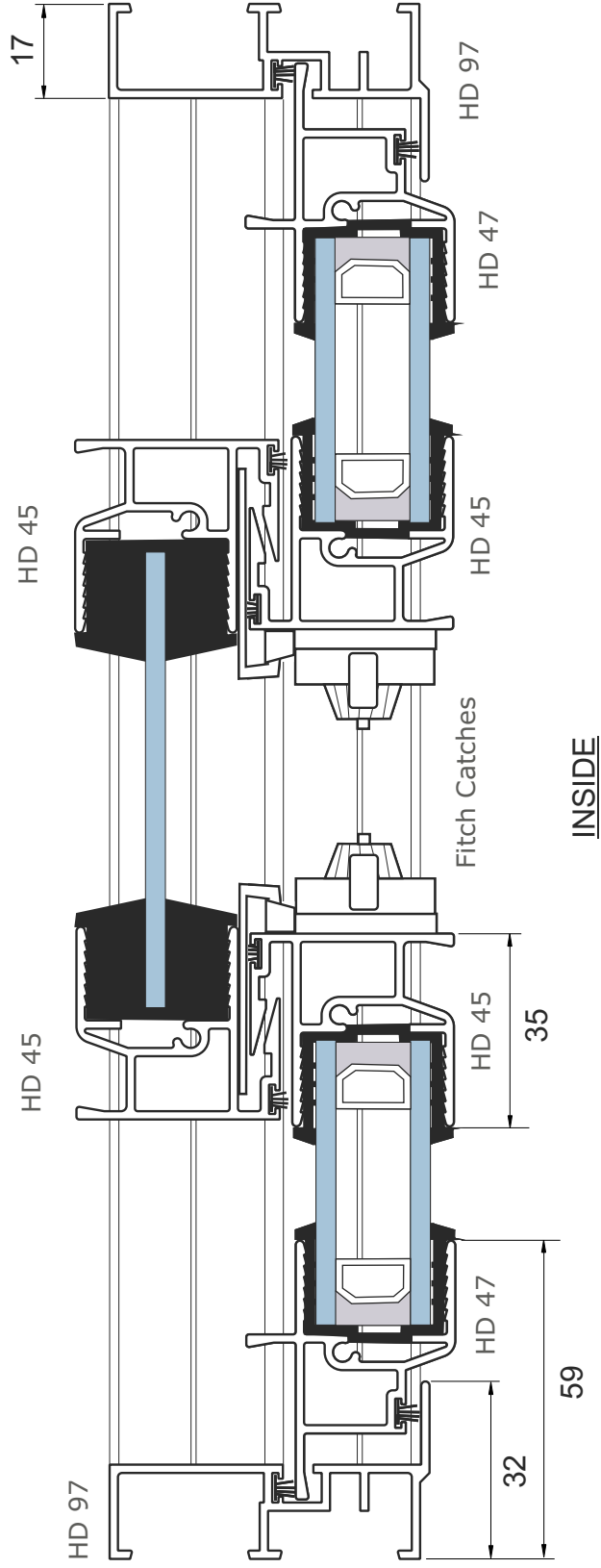


Three Panel Horizontal Slider - Centre Pane Fixed

Heavy Duty



PRIME WINDOW SIDE



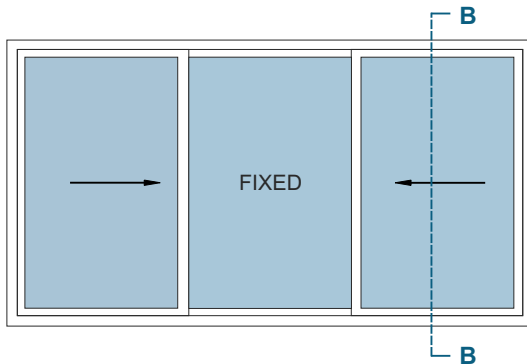
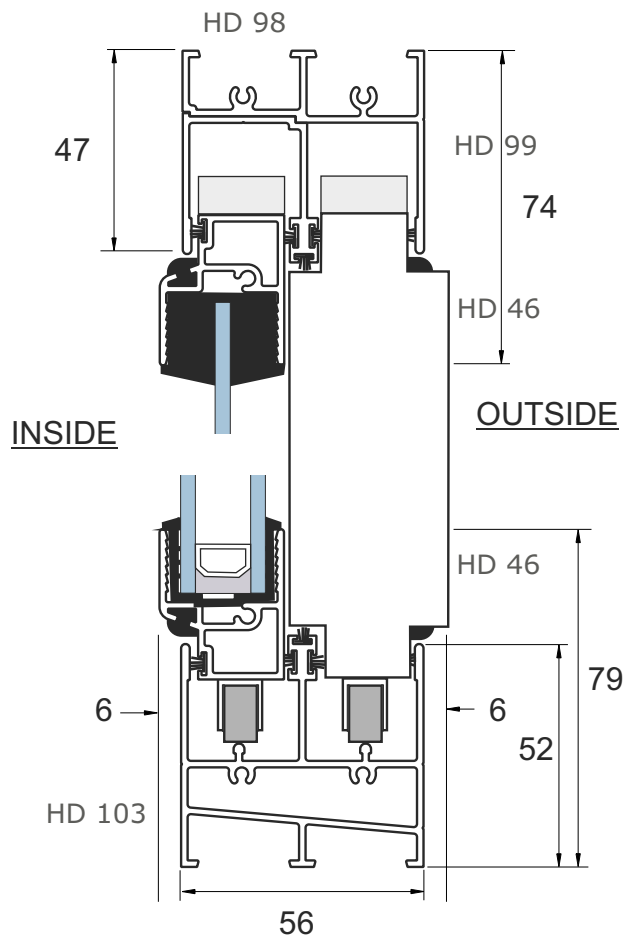
A - Plan View

Both a double glazed (20mm) and single glazed (4 - 6.8mm) unit shown



Three Panel Horizontal Slider - Centre Pane Fixed

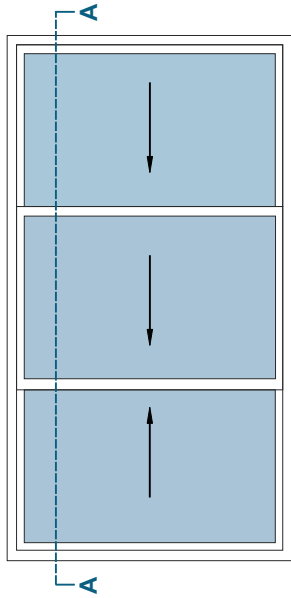
B - Cross Section



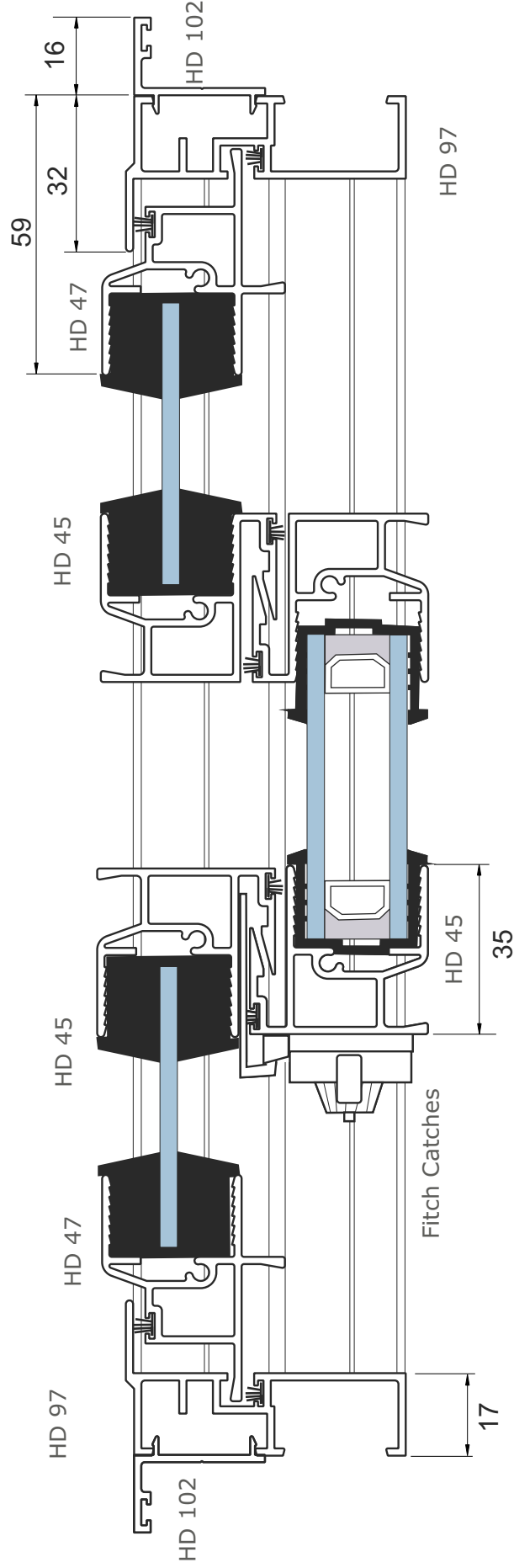
Both a double glazed (20mm) and single glazed (4 - 6.8mm) unit shown

Three Panel Horizontal Slider - All Sliding

Heavy Duty



PRIME WINDOW SIDE



INSIDE

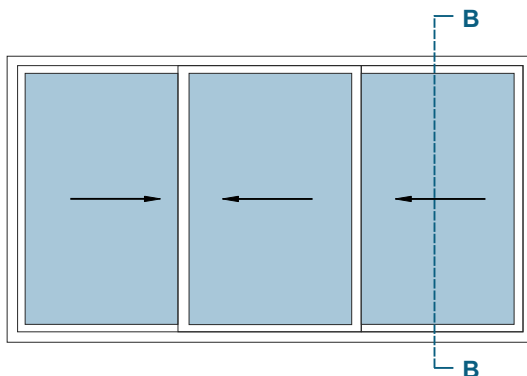
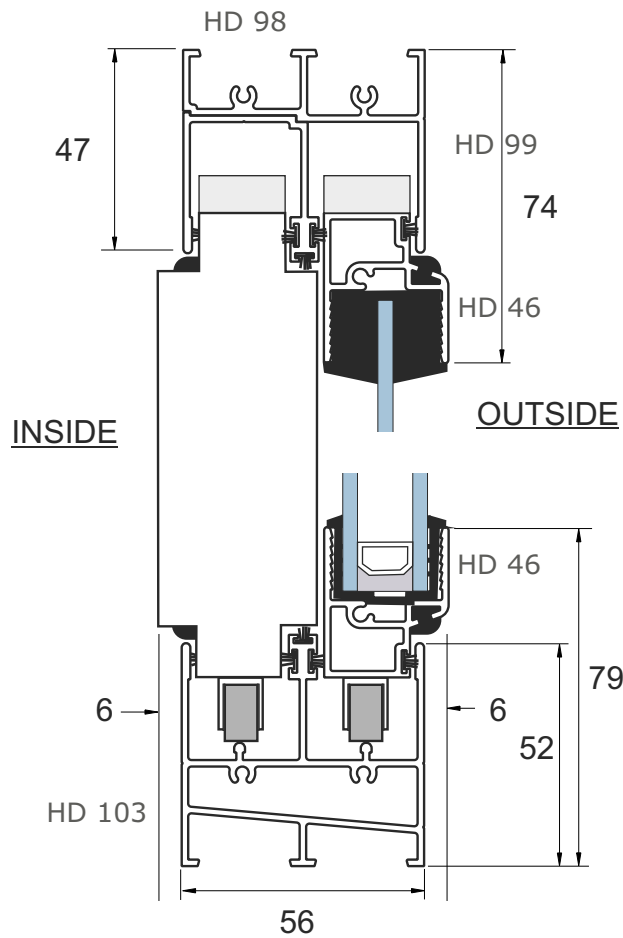
Both a double glazed (20mm) and single glazed (4 - 6.8mm) unit shown

A - Plan View



Three Panel Horizontal Slider - Centre Pane Fixed

B - Cross Section

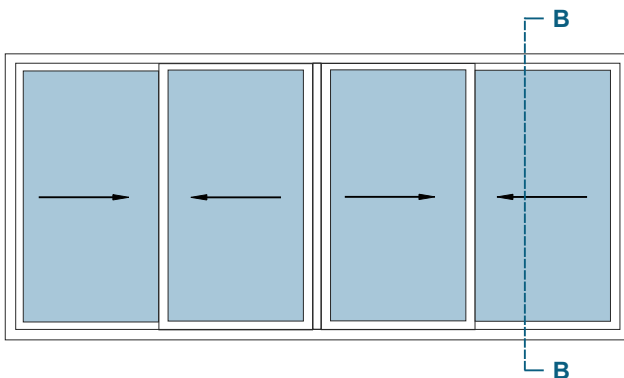
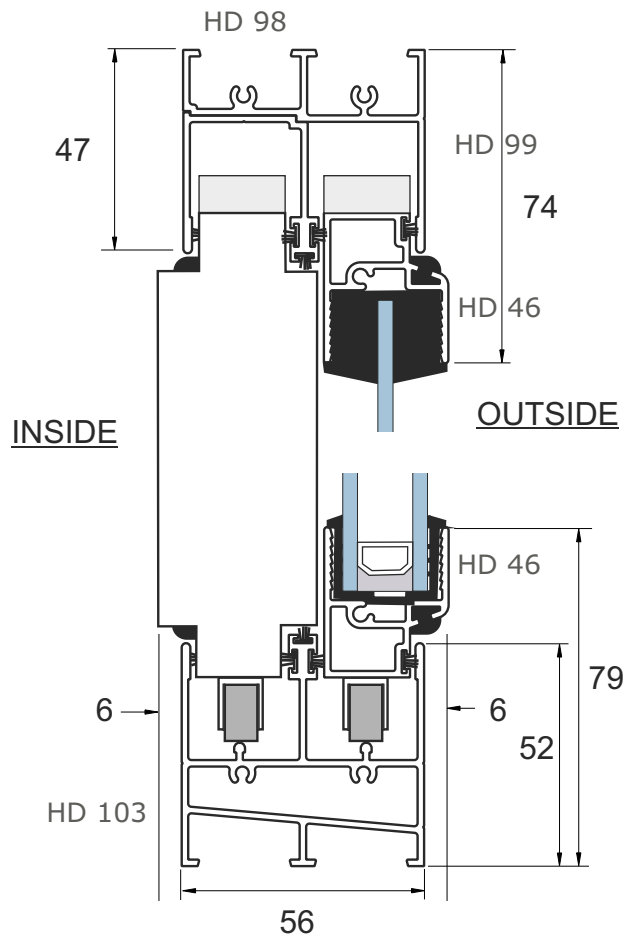


Both a double glazed (20mm) and single glazed (4 - 6.8mm) unit shown



Four Panel Horizontal Slider

B - Cross Section



Both a double glazed (20mm) and single glazed (4 - 6.8mm) unit shown