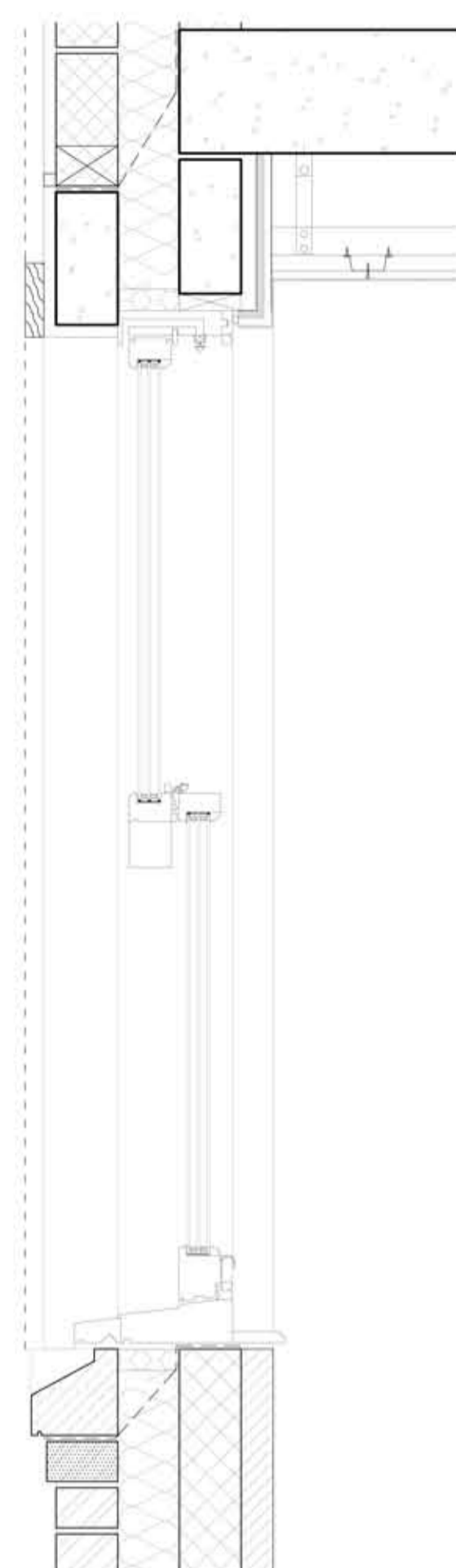
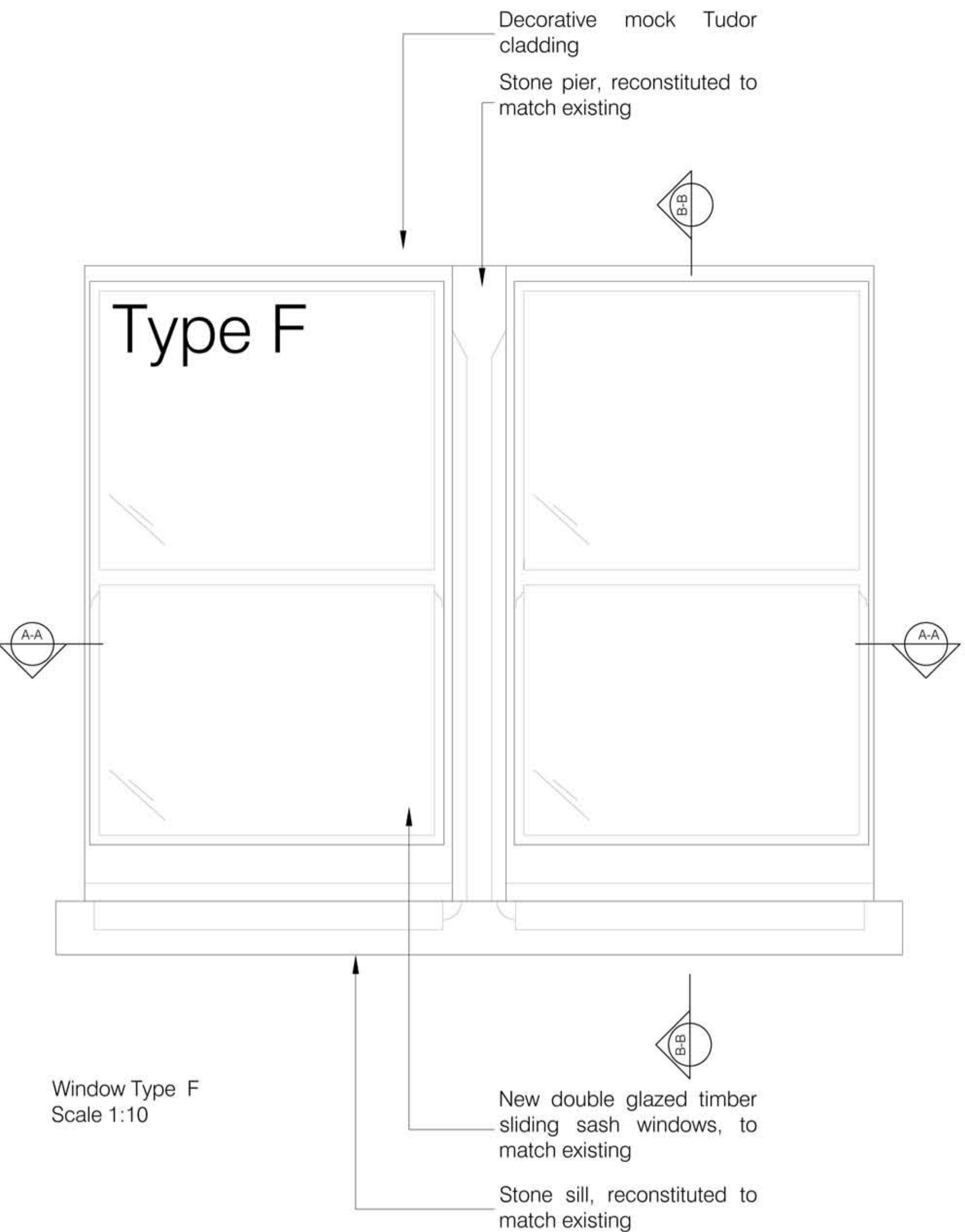
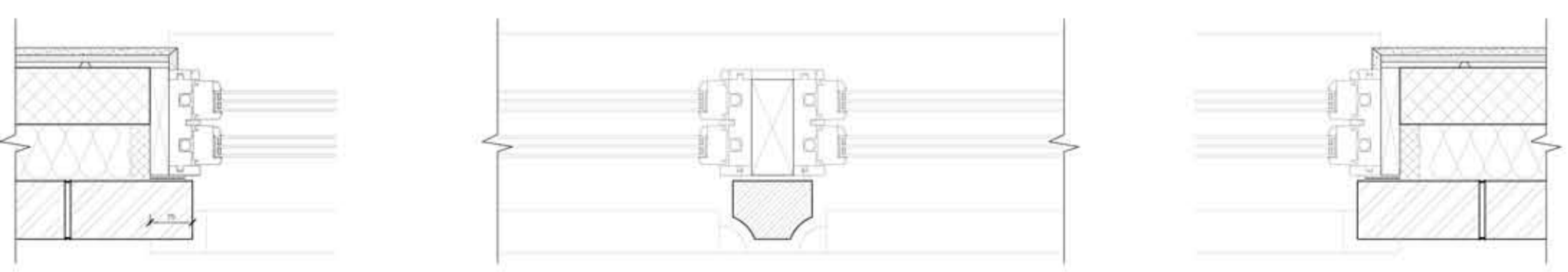


Rev	Date	Details	Drawn by	Checked by
A	12/07/2017	Preliminary issue for information/comment	PV	BL
B	07/12/2017	Window horns added	CM	BL
C	20/02/2018	Frame details amended	CM	BL

This drawing is a preliminary issue for information and comment only. It is not to be used for construction. It is subject to change without notice. The client is responsible for the accuracy of the information provided. The architect is not responsible for the accuracy of the information provided. The architect is not responsible for the accuracy of the information provided.



Section B-B  
Typical window head and sill detail  
Scale 1:10



Section A-A  
Typical jambs and sash window detail mullion  
Scale 1:10

Read in conjunction with drawings:  
(03)15 to (03)30



client name	S & T (Ltd)
project	18-20 Elsworth Road London NW3 3DJ
title	Typical Sash Timber Window Detail
status	Planning
date	17/07/2017
drawn	PV
scale	1:10 @ A1
checked	BL

(03)28

drawing number	832-01
revision	C
job number	

