

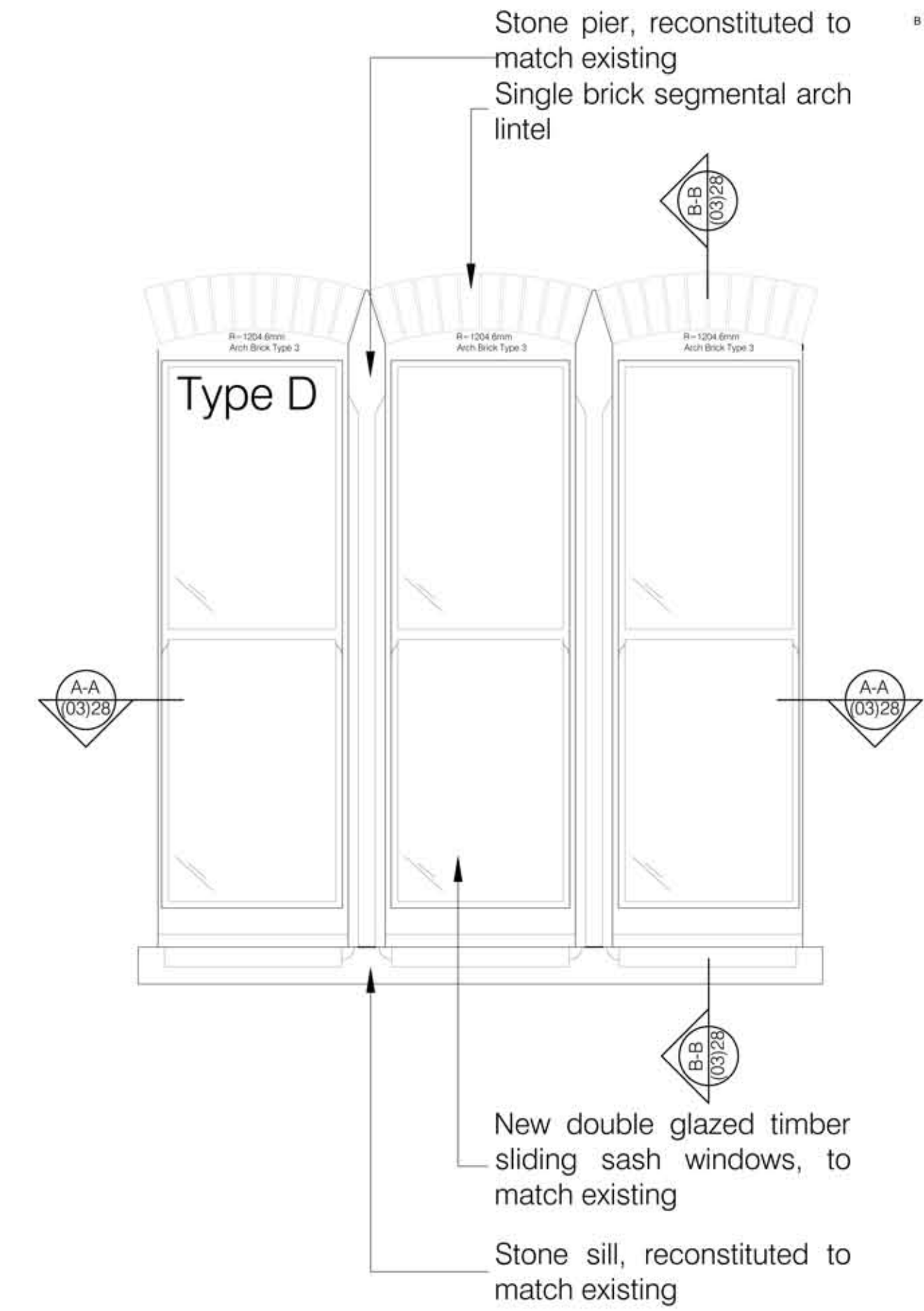
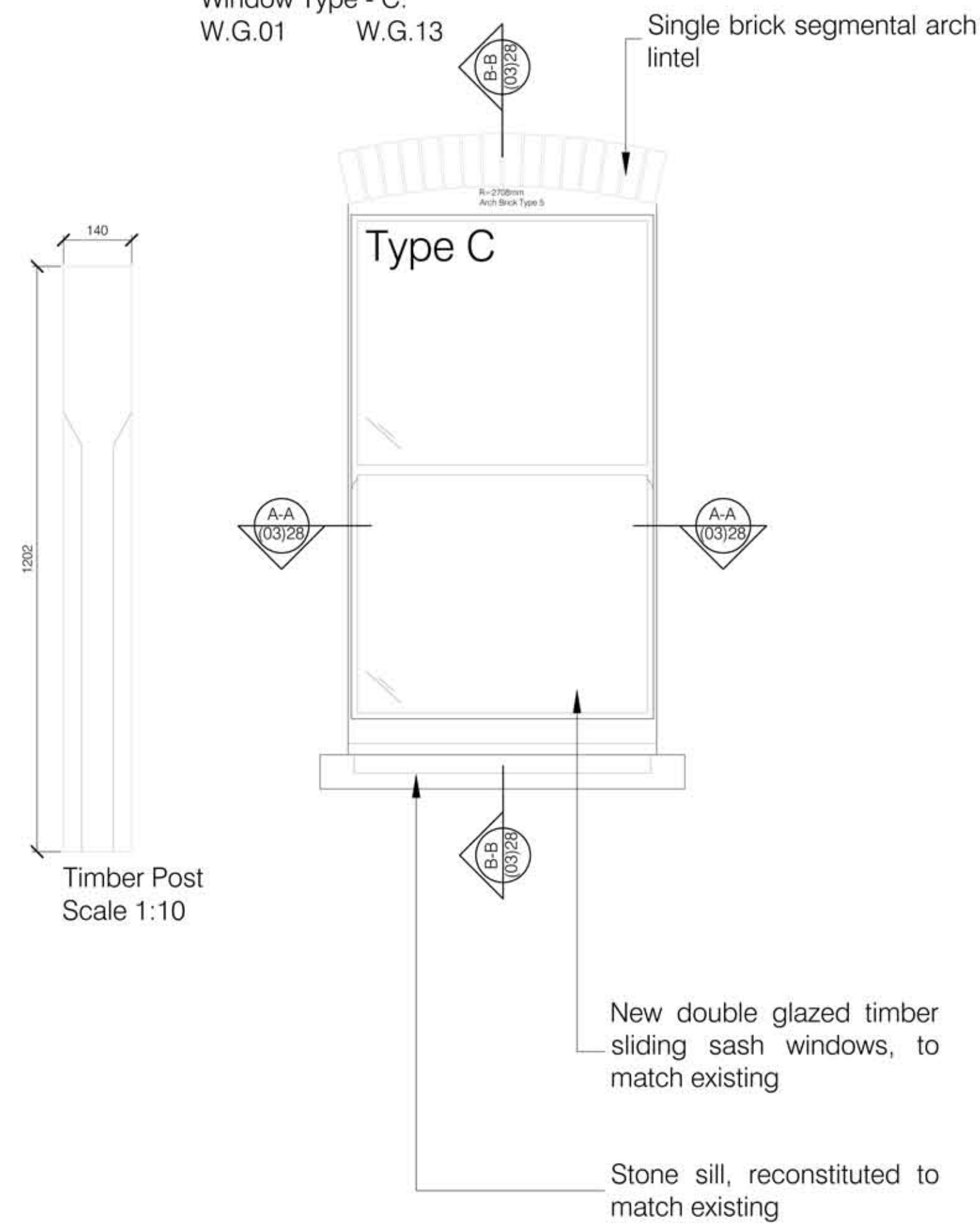
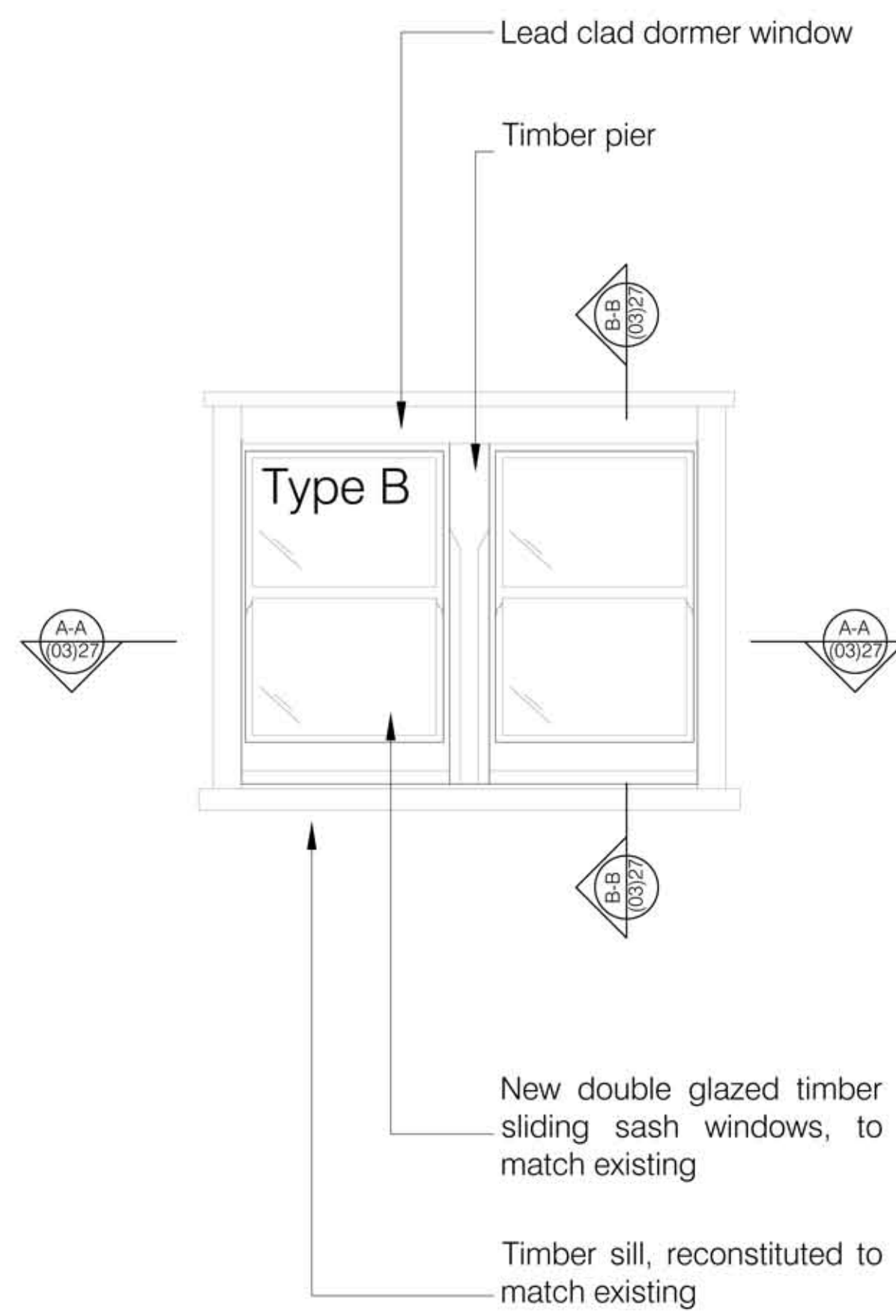
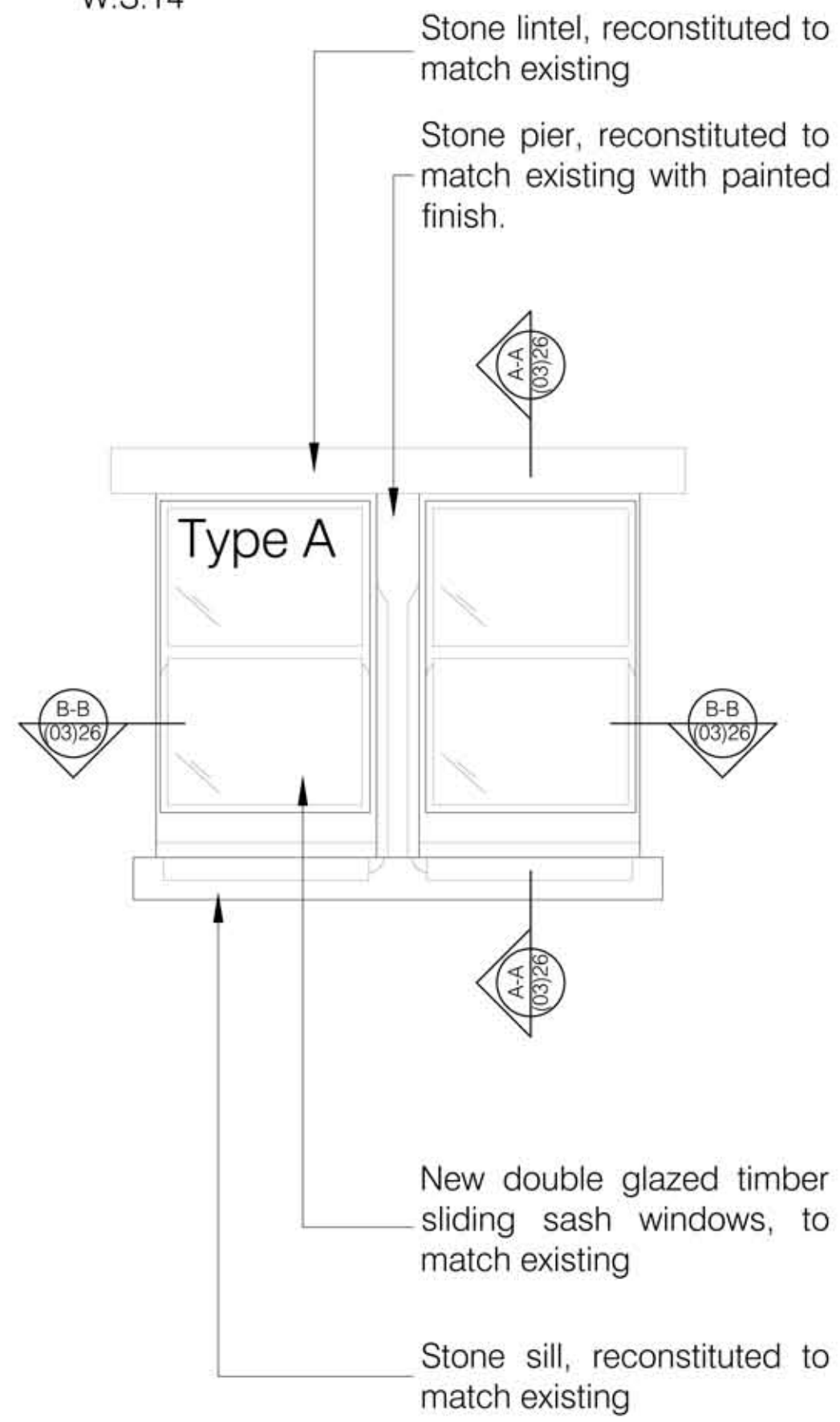
Window Type - A:
W.S.02 W.S.08
W.S.09 W.S.14

Window Type - B:
W.S.01 W.S.07
W.S.10 W.S.13

Window Type - C:
W.G.01 W.G.13

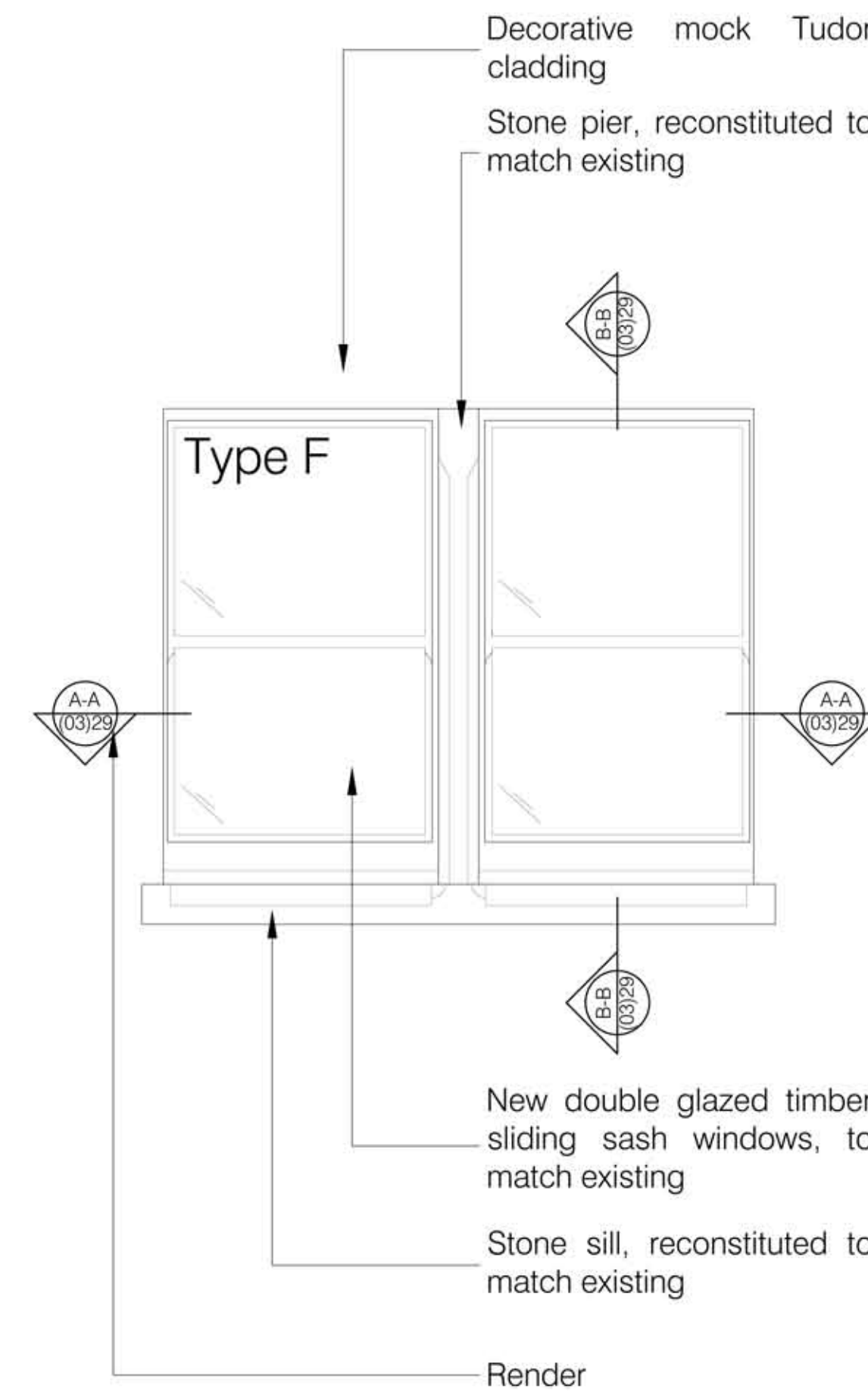
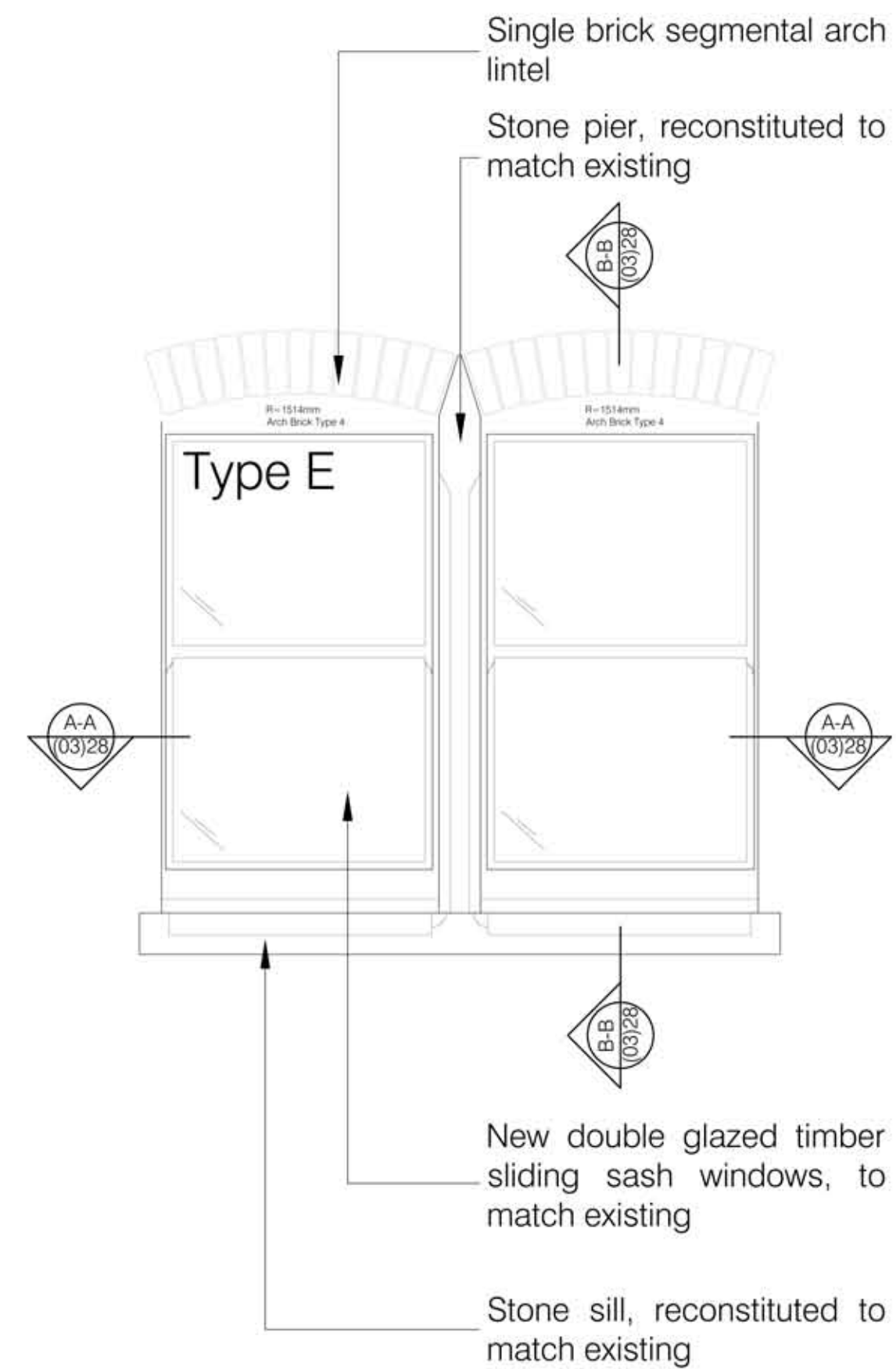
Window Type - D:
W.G.02 W.S.12

Rev	Date	Details	Drawn by	Checked by
A	12/07/2017	Preliminary issue for information/comment	PV	BL
B	18/12/2017	Window horns added	CM	BL



Window Type - E:
W.F.02 W.F.05
W.F.07 W.F.11

Window Type - F:
W.F.01 W.F.04
W.F.08 W.F.10



Read in conjunction with drawings:
(03)15 to (03)30



client name	S & T (Ltd)
address	18-20 Elsworth Road London NW3 3DJ
project	Proposed Window Types I Timber Windows
status	Planning
date	17/07/2017
drawn	PV
checked	BL
scale	1:20 @ A1
drawing number	(03)21
revision	B
job number	832-01

