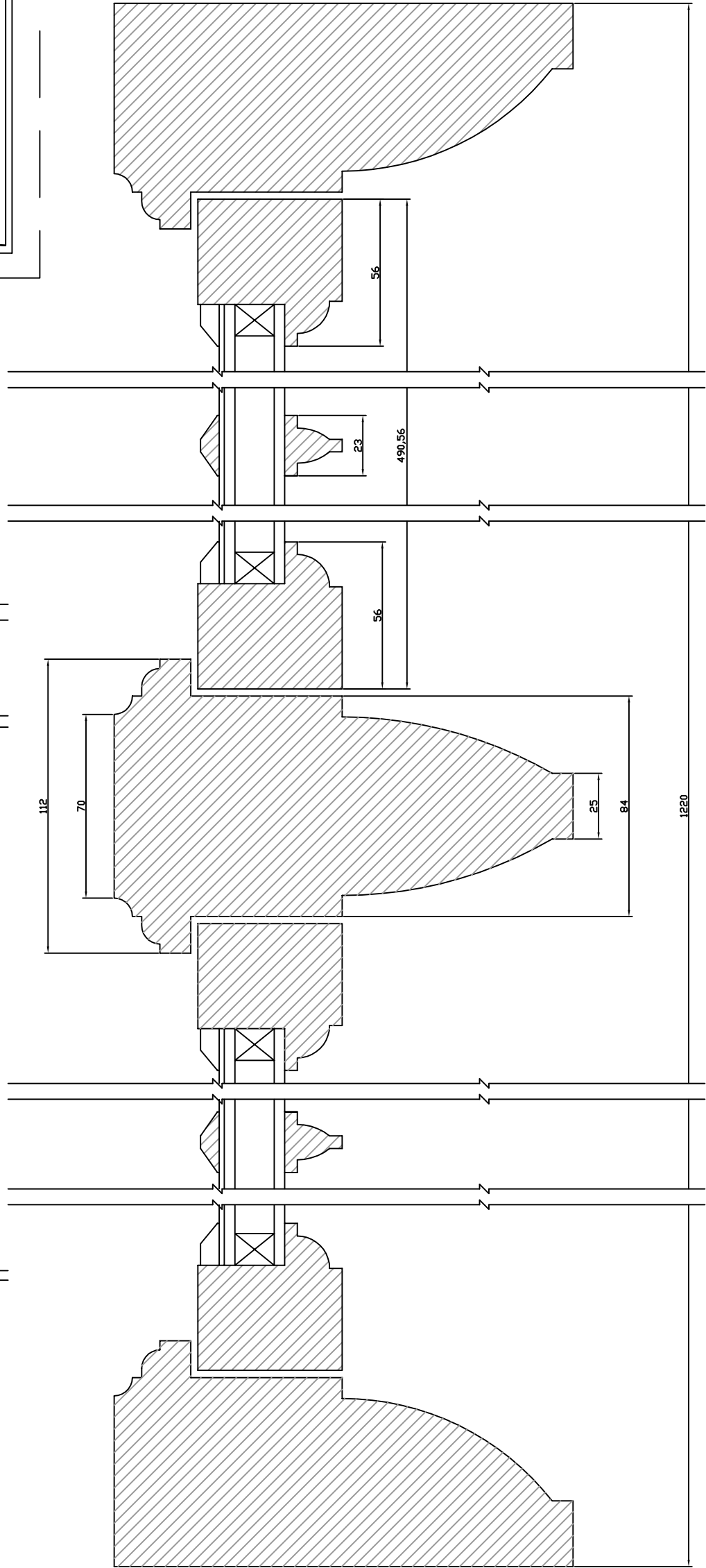
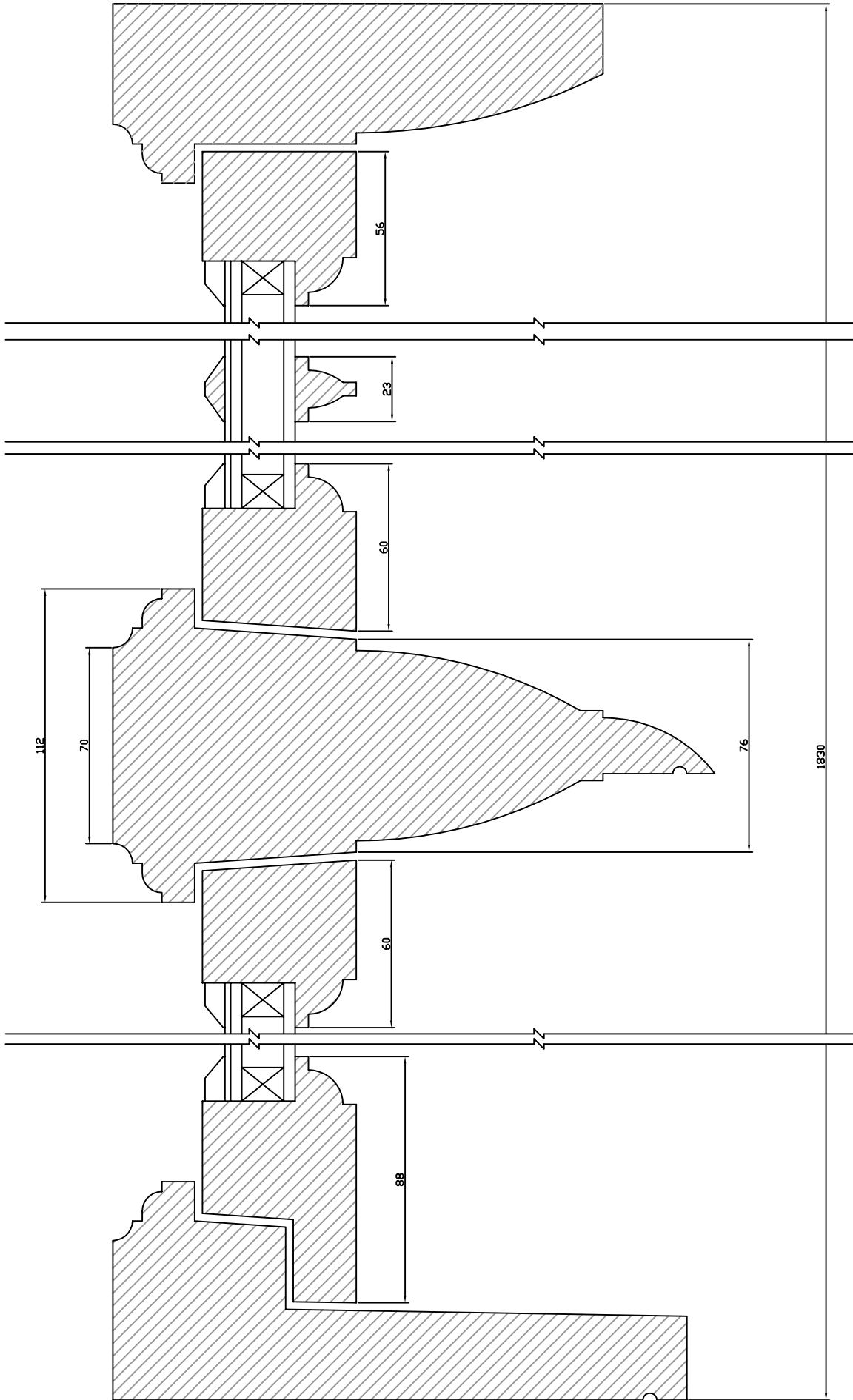
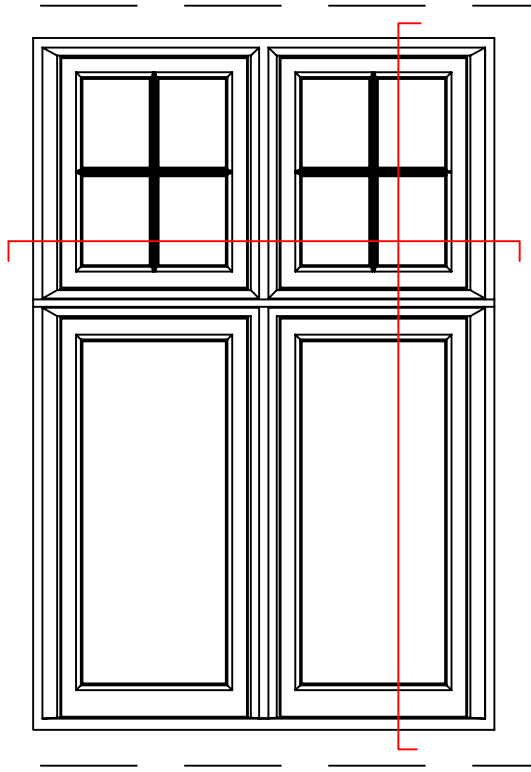


Scale 1:20



Property: Flat 3 The Pryors	Project: Window Replacement	Property Ref: 3PR
Details:	Drawing Title: Proposed Window Details	Drawn By: B.S.B
		Date: 16/02/18
		Scale: 1:2 @ A3
		Dwg. No: P1 - 5
		Rev: A