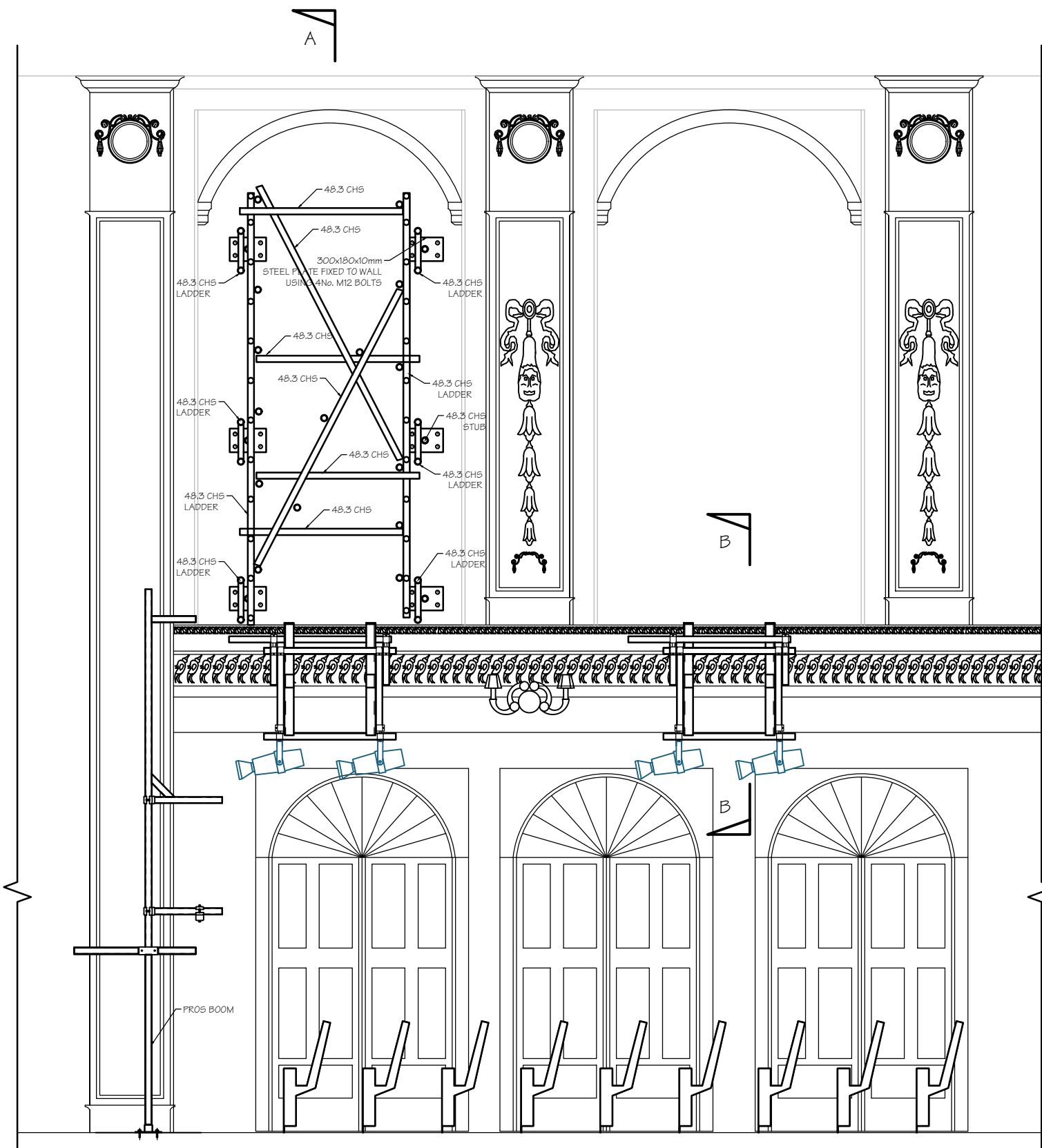


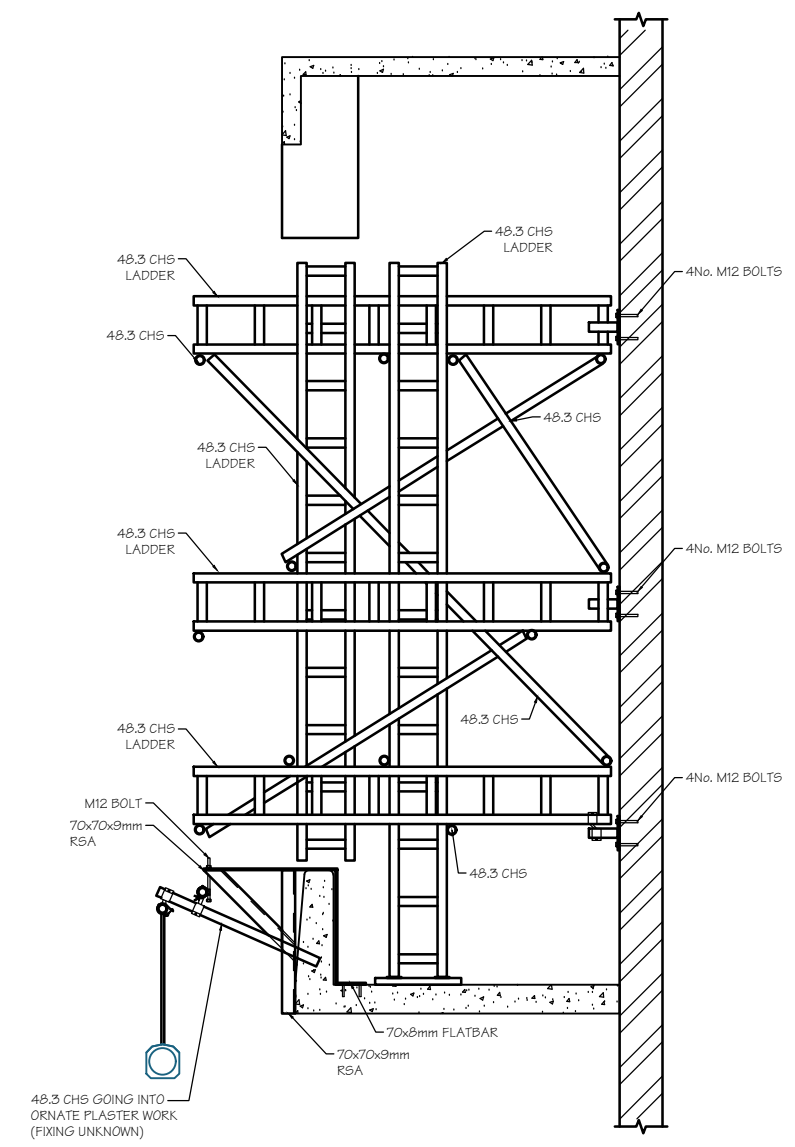
Notes

GENERAL

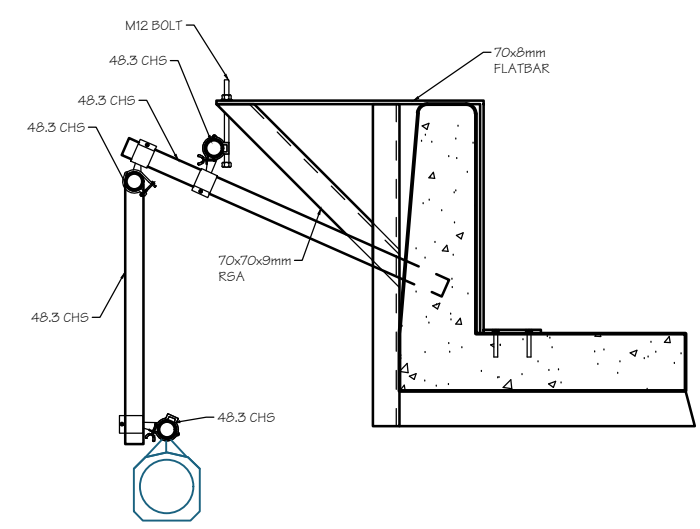
- G1. ALL DIMENSIONS SHOWN ARE IN mm UNLESS NOTED OTHERWISE.
- G2. ALL DIMENSIONS SHOWN ARE APPROXIMATELY ONLY AND MUST BE CHECKED AND CONFIRMED BY THE CONTRACTOR VIA A FULL DIMENSIONAL SURVEY OF THE AREA OF THE WORKS PRIOR TO UNDERTAKING OF THE WORKS. THE ENGINEER MUST BE NOTIFIED IMMEDIATELY SHOULD ANY DISCREPANCIES BECOME APPARENT.
- G3. ALL DETAILS AND DIMENSIONS SHOWN RELATING TO THE EXISTING STRUCTURE ARE SCHEMATIC AND APPROXIMATE ONLY, BASED UPON NO EXPOSURE PRIOR TO COMMENCEMENT OF THE PREPARATION OF THESE DETAILS.
- G4. THE DEPTH AND LOCATION OF ANY SERVICES HAS NOT BEEN ESTABLISHED. THE CONTRACTOR IS RESPONSIBLE FOR LOCATING AND PROTECTING THEM.
- G5. ALL WORKMANSHIP AND MATERIALS TO COMPLY WITH THE CURRENT BUILDING REGULATIONS AND RELEVANT CURRENT BRITISH STANDARDS.
- G6. THE CONTRACTOR SHALL ALLOW FOR ALL WORK NECESSARY TO OBTAIN FULL APPROVAL AND SATISFACTION OF THE BUILDING INSPECTOR.
- G7. THE CONTRACTOR SHALL COMPLY WITH ALL REQUIREMENTS OF THE CURRENT HEALTH & SAFETY AT WORK ACT AND CONSTRUCTION REGULATIONS.
- G8. THE CONTRACTOR IS RESPONSIBLE FOR ENSURING THAT HIS OPERATIONS DO NOT IN ANY WAY IMPAIR THE SAFETY OR CONDITION OF THE EXISTING STRUCTURE OR ADJACENT STRUCTURES. HE IS TO PROVIDE ANY TEMPORARY SUPPORTS, SHORING, ETC REQUIRED FOR THIS PURPOSE AND HE IS TO CAREFULLY INSPECT THE CONDITION OF THE STRUCTURES BOTH BEFORE AND DURING THE EXECUTION OF THE WORK. THE ENGINEER IS TO BE NOTIFIED IMMEDIATELY SHOULD ANY DAMAGE OCCUR.
- G9. ALL PROPRIETARY PRODUCTS TO BE USED IN STRICT ACCORDANCE WITH MANUFACTURERS INSTRUCTIONS AND RECOMMENDATIONS.





EXISTING ELEVATION ON AUDITORIUM RIGHT ROYAL BOX (SCALE 1:20 AT A1)



SECTION A-A ON AUDITORIUM RIGHT ROYAL BOX (SCALE 1:20 AT A1)



SECTION B-B (SCALE 1:10 AT A1)

Rev.	Date	Description	By
Revisions			
 204 BOLTON ROAD WORSLEY MANCHESTER, M28 3BN Tel: 0161 790 4404 Fax: 0161 790 4405 Chartered Structural Engineers			
Client		 AMBASSADOR THEATRE GROUP	

Project
PHOENIX THEATRE, LONDON

Drawing Title				
EXISTING BOXES AUDITORIUM RIGHT				
Scale	Date	Drawn	Checked	Passed
AS SHOWN	NOV 2017	SAM		
DRG. No.				
2835-001				