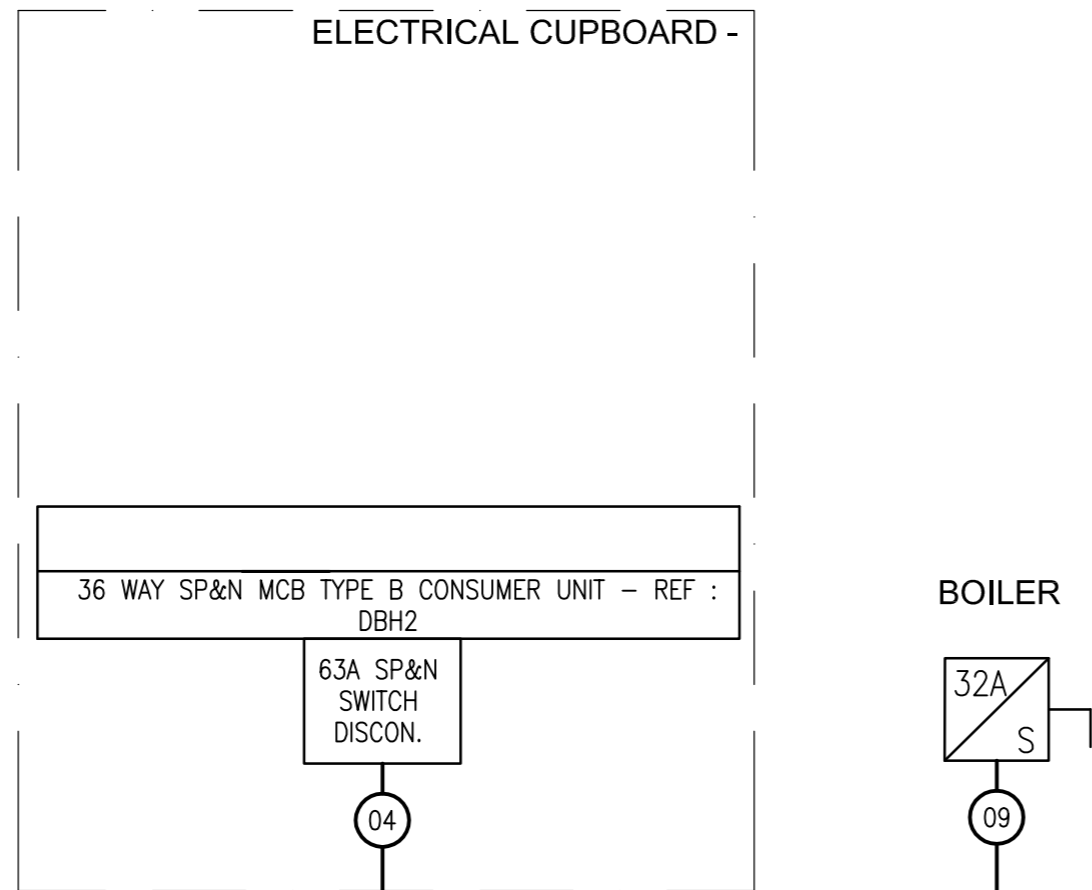


ELECTRICAL AND MECHANICAL FITTINGS AND/OR APPLIANCES, CONDUITS, PIPES, CABLES, ETC. ARE INDICATED FOR TENDERING PURPOSES. GUIDANCE & COMPLETION OF INSTALLATION DRAWINGS. EXACT POSITIONS AND ROUTES SHALL BE SETTLED ON SITE IN RELATION TO OTHER SERVICES AND FIXTURES AND TO THE ARCHITECT'S DETAILED ROOM LAYOUTS WHERE ISSUED OR APPROPRIATE EXCEPT WHERE DIMENSIONS ARE GIVEN (ON THE DRAWING OR IN THE SPECIFICATION.) FINAL POSITIONS OF LIGHTING POINTS, MECHANICAL AND ELECTRICAL FITTINGS, FIXTURES AND / OR APPLIANCES MUST BE CHECKED WITH THE CONTRACT ADMINISTRATOR BEFORE PROCEEDING

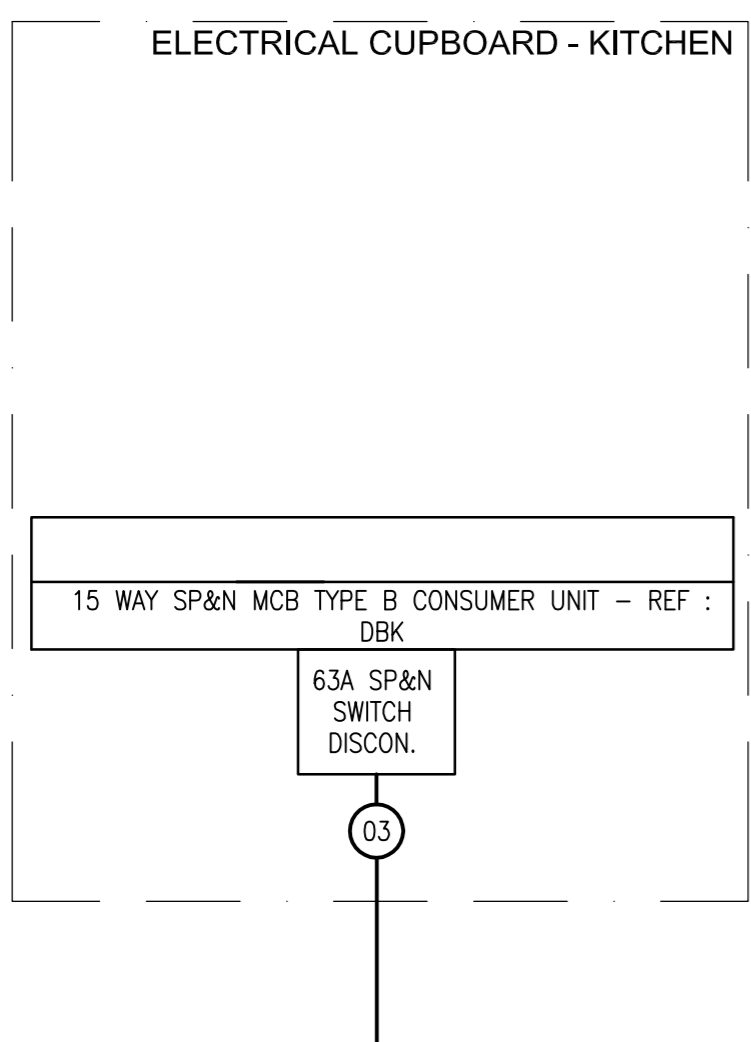
CABLE SCHEDULE

CABLE REF.	FROM	TO	CABLE DETAILS	CPC DETAILS
01	INTAKE	DBHD	4 x 1 Core 95mm <sup>2</sup> XLPE/SWA/LSF	1 Core 16mm <sup>2</sup> LSF/LSF
02	DBHD	DBHB	1 x 3 Core 16mm <sup>2</sup> XLPE/SWA/LSF	1 Core + Armour
03	DBHD	DBHK	1 x 3 Core 16mm <sup>2</sup> XLPE/SWA/LSF	1 Core + Armour
04	DBHD	DBH2	1 x 3 Core 16mm <sup>2</sup> XLPE/SWA/LSF	1 Core + Armour
05	DBHD	MCCP	1 x 5 Core 6mm <sup>2</sup> XLPE/SWA/LSF	1 Core + Armour
06	DBHD	BOOSTER PUMP	1 x 5 Core 4mm <sup>2</sup> XLPE/SWA/LSF	1 Core + Armour
07	DBHD	FAP	3 Core 4mm <sup>2</sup> FP200	1 Core + Armour
08	DBHD	INDUCTION HOB	1 x 3 Core 10mm <sup>2</sup> XLPE/SWA/LSF	1 Core + Armour
09	DBHD	BOILER	1 x 3 Core 6mm <sup>2</sup> XLPE/SWA/LSF	1 Core + Armour
10	DBHP	SUMP PUMP	1 x 5 Core 4mm <sup>2</sup> XLPE/SWA/LSF	1 Core + Armour
11	DBHP	SAUNA	1 x 5 Core 6mm <sup>2</sup> XLPE/SWA/LSF	1 Core + Armour
12	DBHP	POOL AHU	1 x 5 Core 6mm <sup>2</sup> XLPE/SWA/LSF	1 Core + Armour
13	DBHD	POOL PLANT	1 x 5 Core 6mm <sup>2</sup> XLPE/SWA/LSF	1 Core + Armour
14	DBHD	CONDENSER	1 x 5 Core 4mm <sup>2</sup> XLPE/SWA/LSF	1 Core + Armour
15	DBHD	ISOLATOR	1 x 5 Core 6mm <sup>2</sup> XLPE/SWA/LSF	1 Core + Armour
16	DBHP	CAR CHARGER	1 x 5 Core 4mm <sup>2</sup> XLPE/SWA/LSF	1 Core + Armour
17	DBHP	CAR CHARGER	1 x 5 Core 4mm <sup>2</sup> XLPE/SWA/LSF	1 Core + Armour
18	DBHD	DBHP	1 x 3 Core 16mm <sup>2</sup> XLPE/SWA/LSF	1 Core + Armour
19	DBHP	STEAM	1 x 5 Core 4mm <sup>2</sup> XLPE/SWA/LSF	1 Core + Armour

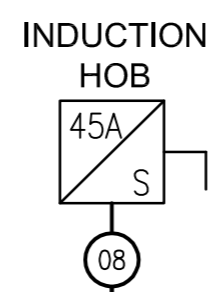
SECOND FLOOR



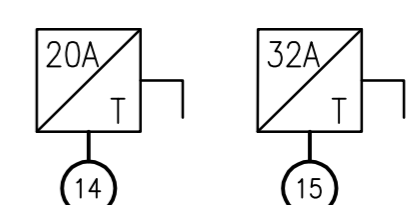
FIRST FLOOR



GROUND FLOOR

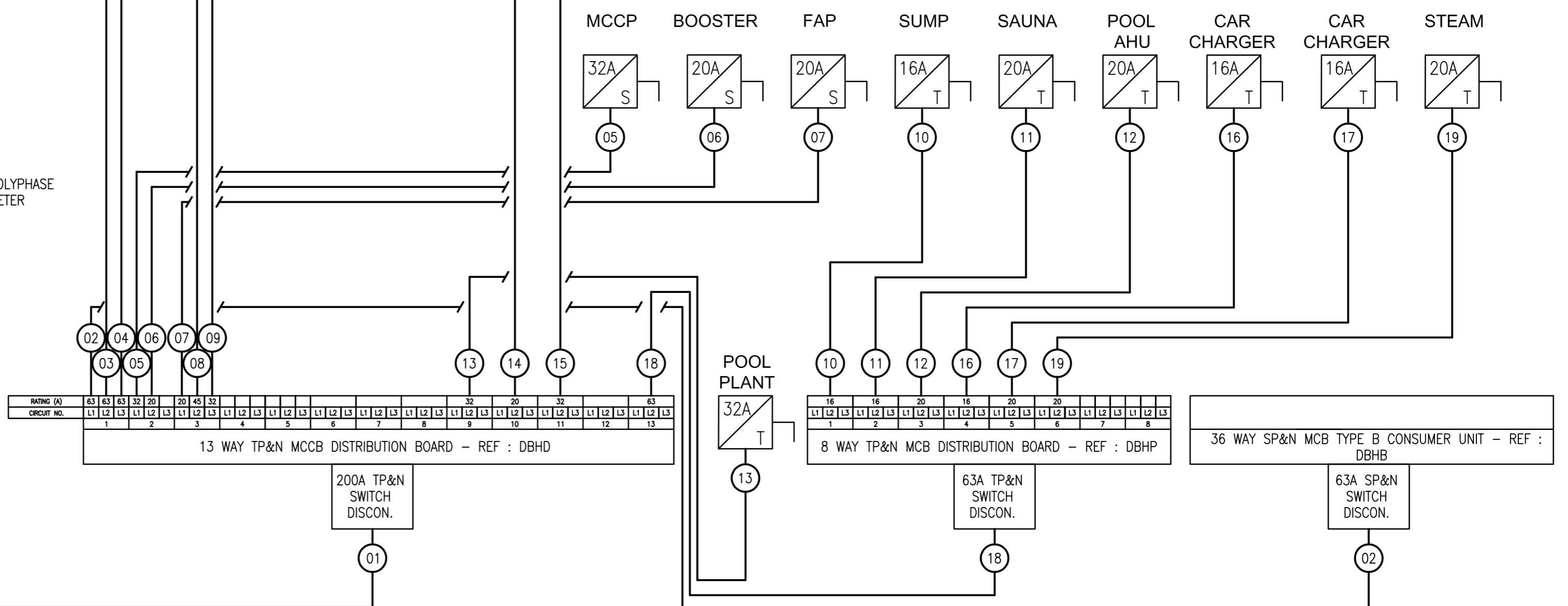
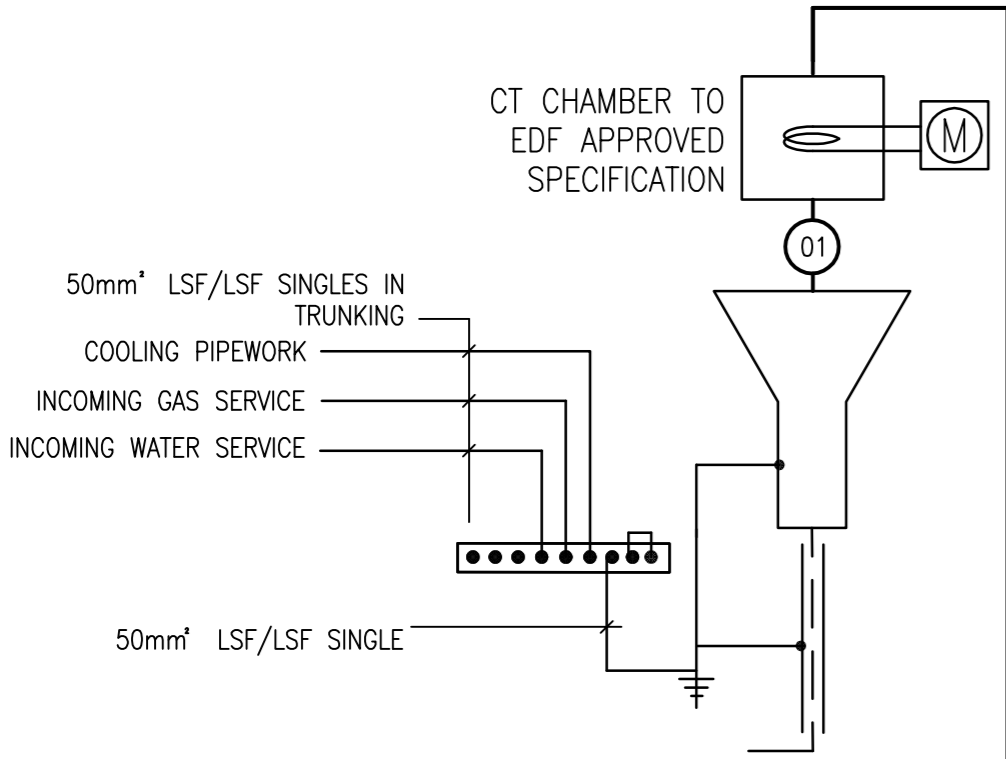


CONDENSER ISOLATOR



BASEMENT

SUPPLY/METER ARRANGEMENT SUBJECT TO UKPN AGREEMENT & THE SELECTED METER OPERATOR



NOTES

REV.	DESCRIPTION	DRAWN + DATE	CHECKED + DATE	APPROVED + DATE	REV.	DESCRIPTION	DRAWN + DATE	CHECKED + DATE	APPROVED + DATE	Client
PL	INITIAL ISSUE (PLANNING)	J.G.	M.W.	M.W.			JAN '18	JAN '18	JAN '18	THE ESTATE OFFICE

Project Title  
24 HEATH DRIVE  
LONDON  
NW3 7SB

Drawing Title  
ELECTRICAL SERVICES  
SMALL POWER SCHEMATIC

Scale: N.T.S.  
Drawing Status: FOR PLANNING  
Drawing No.: 16/117-E02  
Revision: PL

**Edward Pearce**  
CONSULTING ENGINEERS

Edward Pearce LLP  
Old School House  
35 Ewell Road  
Surbiton, Surrey KT6 6AF

Tel: 020 8390 6244  
Fax: 020 8390 1329  
www.edwardpearce.com

Certificate No: 2846/01