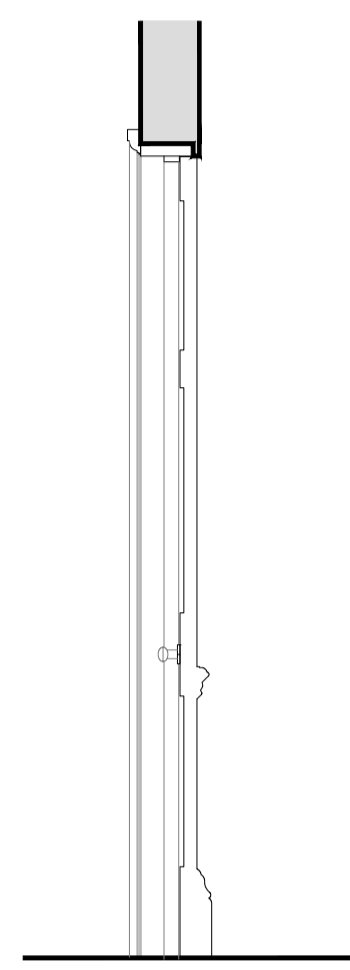
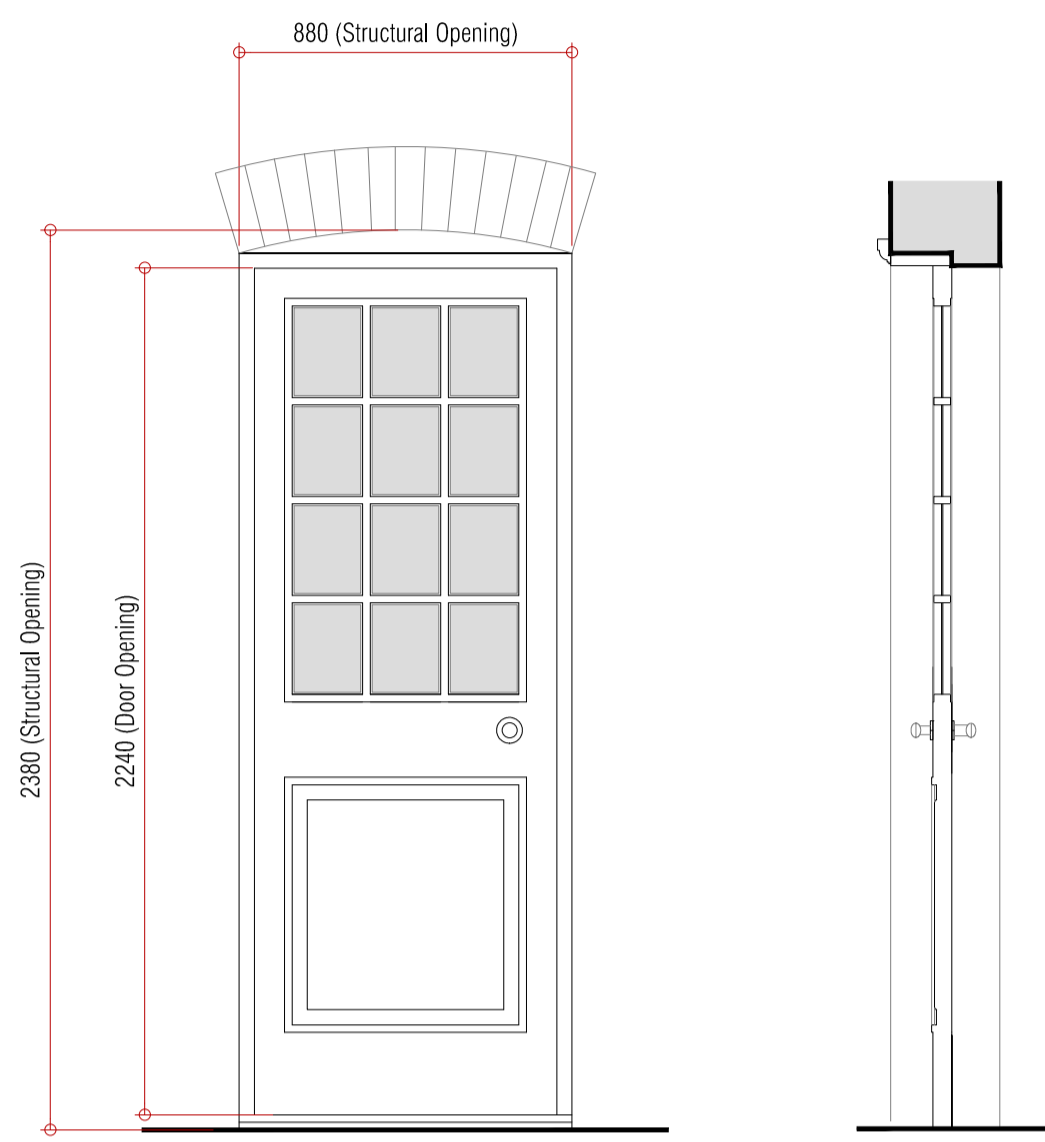


Elevation 1

Elevation 2



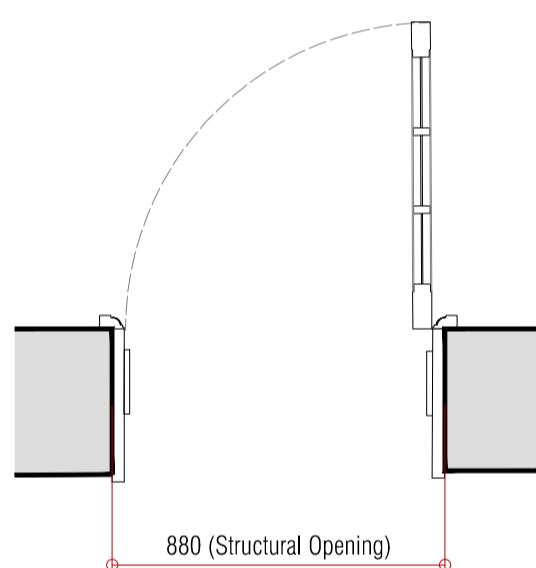
Section



2380 (Structural Opening)

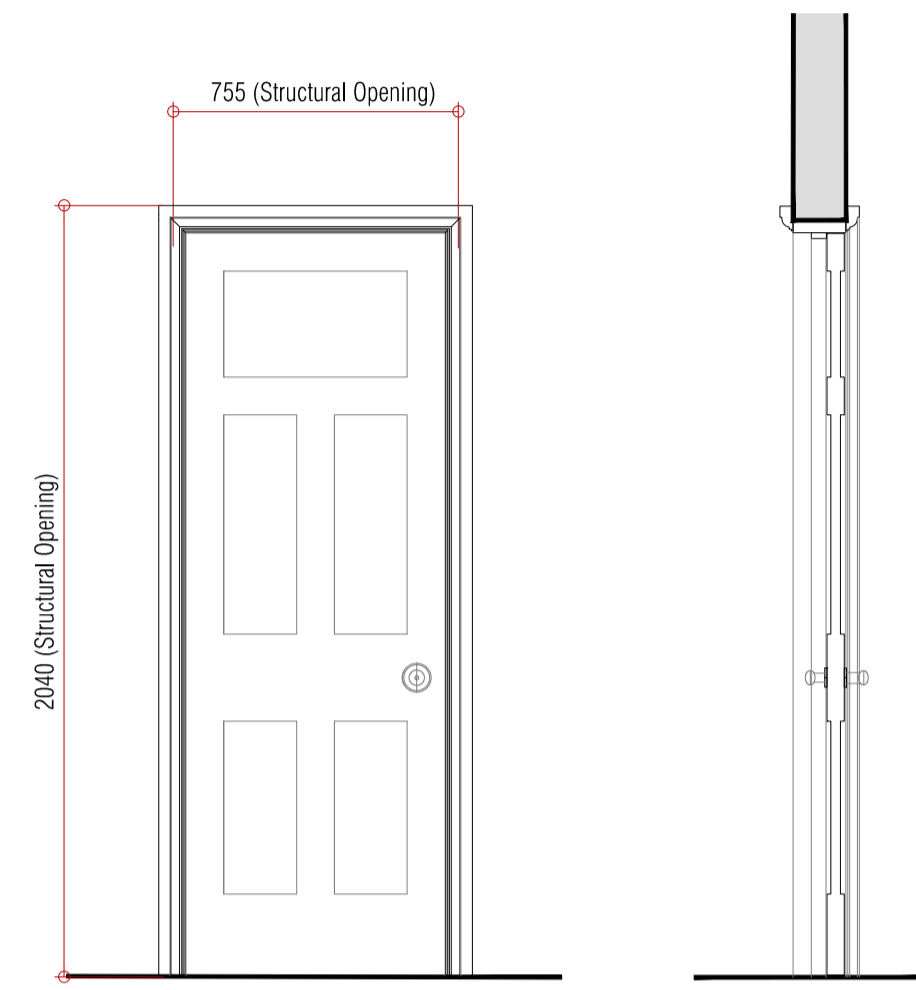
2240 (Door Opening)

880 (Structural Opening)



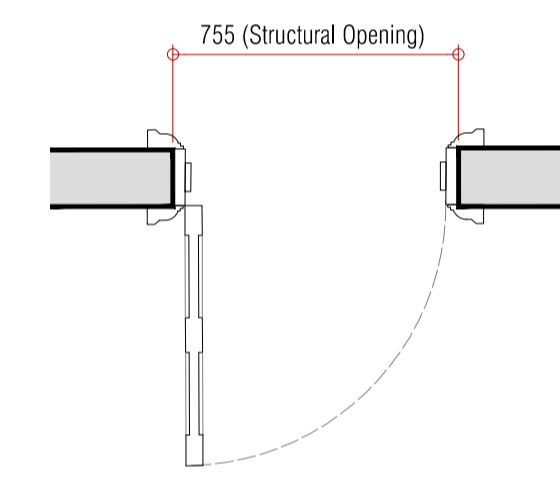
880 (Structural Opening)

DG-31



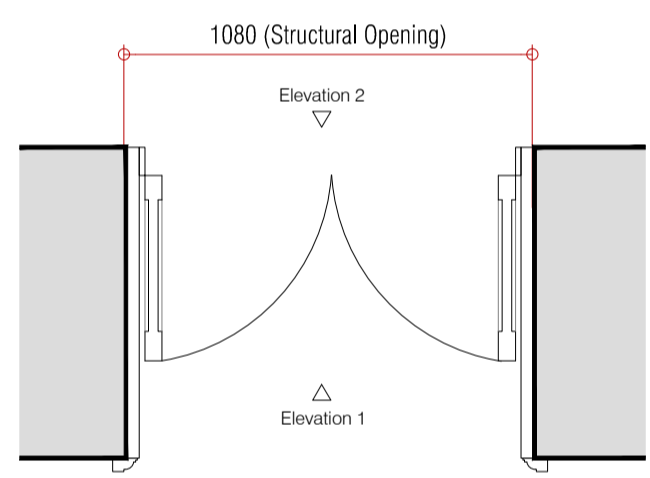
2040 (Structural Opening)

755 (Structural Opening)



755 (Structural Opening)

DG-32



DG-29, DG-30

New Ground Floor Doors - Jib Timber Door

**Door:** New softwood 'jib' door with concealed hinges. Fielded panels to corridor / kitchen side only

**Ironmongery:** Carlisle Brass Delamain Range in Satin Nickel finish

**Architrave:** New architrave to match existing for corridor / kitchen side only.

**Note:** All works to be in accordance with Conservation Specifications.

New Ground Floor Doors - Traditional Door

**Door:** New hardwood door with glazed panels. Style and detail to match existing door type.

**Ironmongery:** Allow for new Bahram Bronze Locks Range.

**Note:** All works to be in accordance with Conservation Specifications.

New Ground Floor Doors - Traditional Door

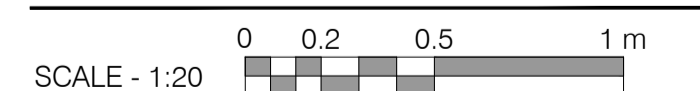
**Door:** New softwood door with fielded panels. Style and detail to match existing. New paint finish; colour TBC.

**Fire Doors:** FD30 door with intumescent fire / smoke seal fitted to head and sides of door and self-close.

**Ironmongery:** Carlisle Brass Delamain Range in Satin Nickel finish.

**Architrave:** New architrave to match existing.

**Note:** All works to be in accordance with Conservation Specifications.



SCALE - 1:20

Rev:	Comments:	By:	Date:

PLANNING

Client:

Project Title:  
24 Heath Drive, London, NW3 7SB

Drawing Title:  
Door Schedule 6

Scale: 1:20@A1 Date: JAN 18 Drawn: ST Checked: HV

kyson<sup>®</sup>

Studio  
28 Scrutton Street  
London  
UK  
EC2A 4RP

T: +44(0) 20 7247 2462  
E: enquiries@kyson.co.uk  
W: www.kyson.co.uk

Project No.: 508-16 Drawing No.: 6005 Revision: -

Do not scale this drawing. All dimensions must be checked on site. All rights reserved. No reproduction in any material form is permitted without consent.