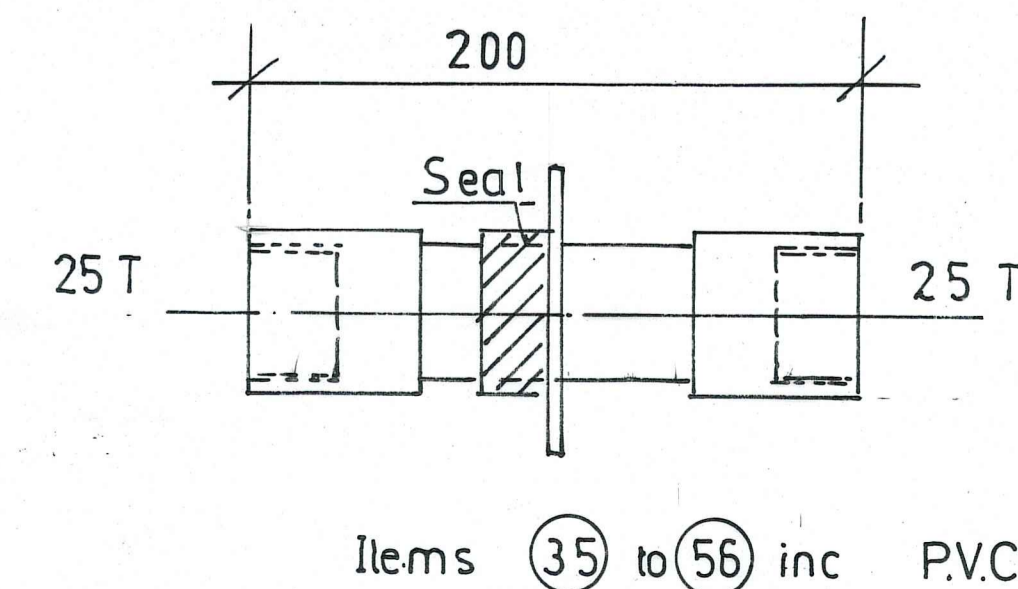
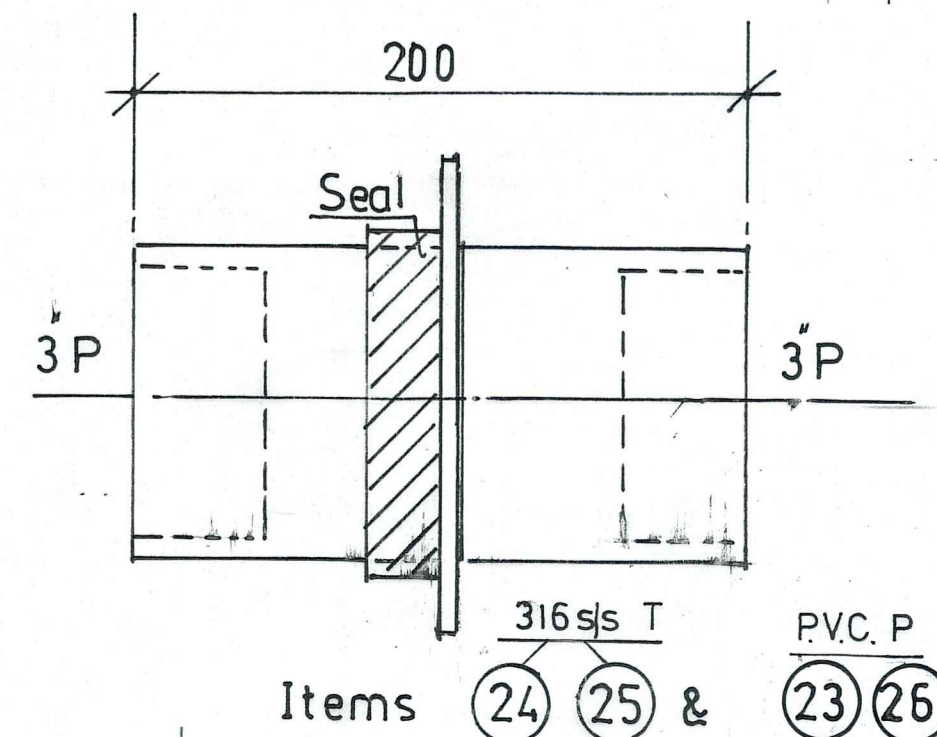
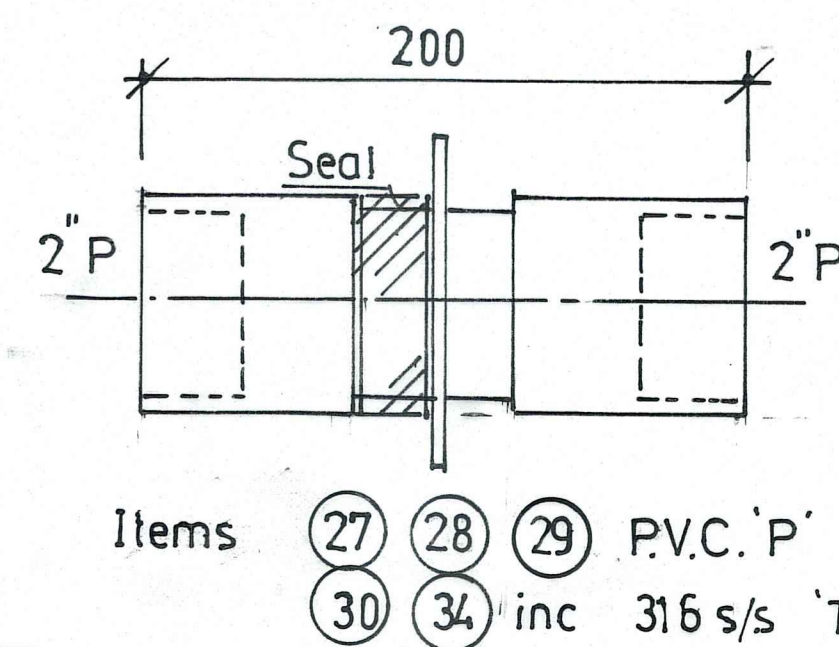
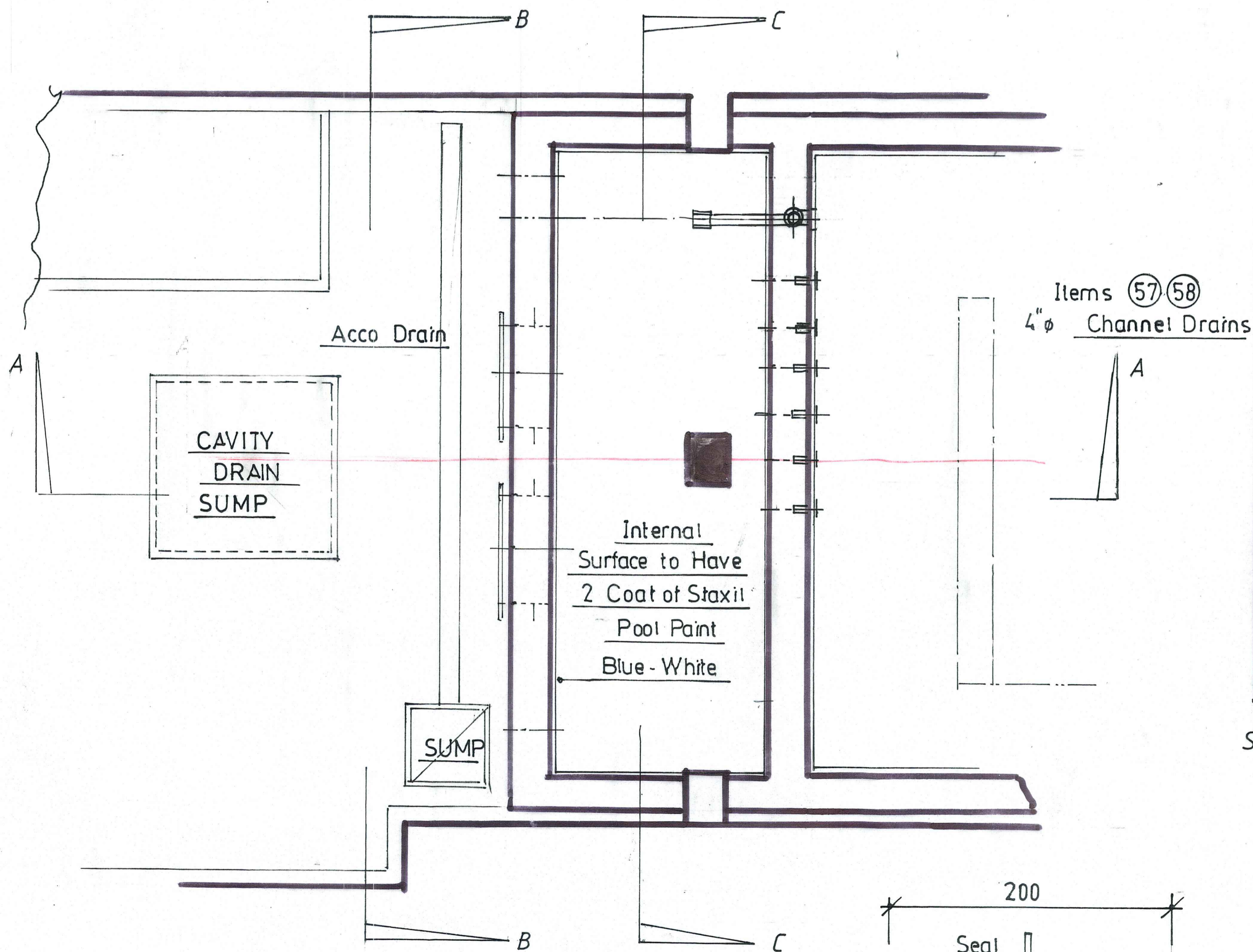
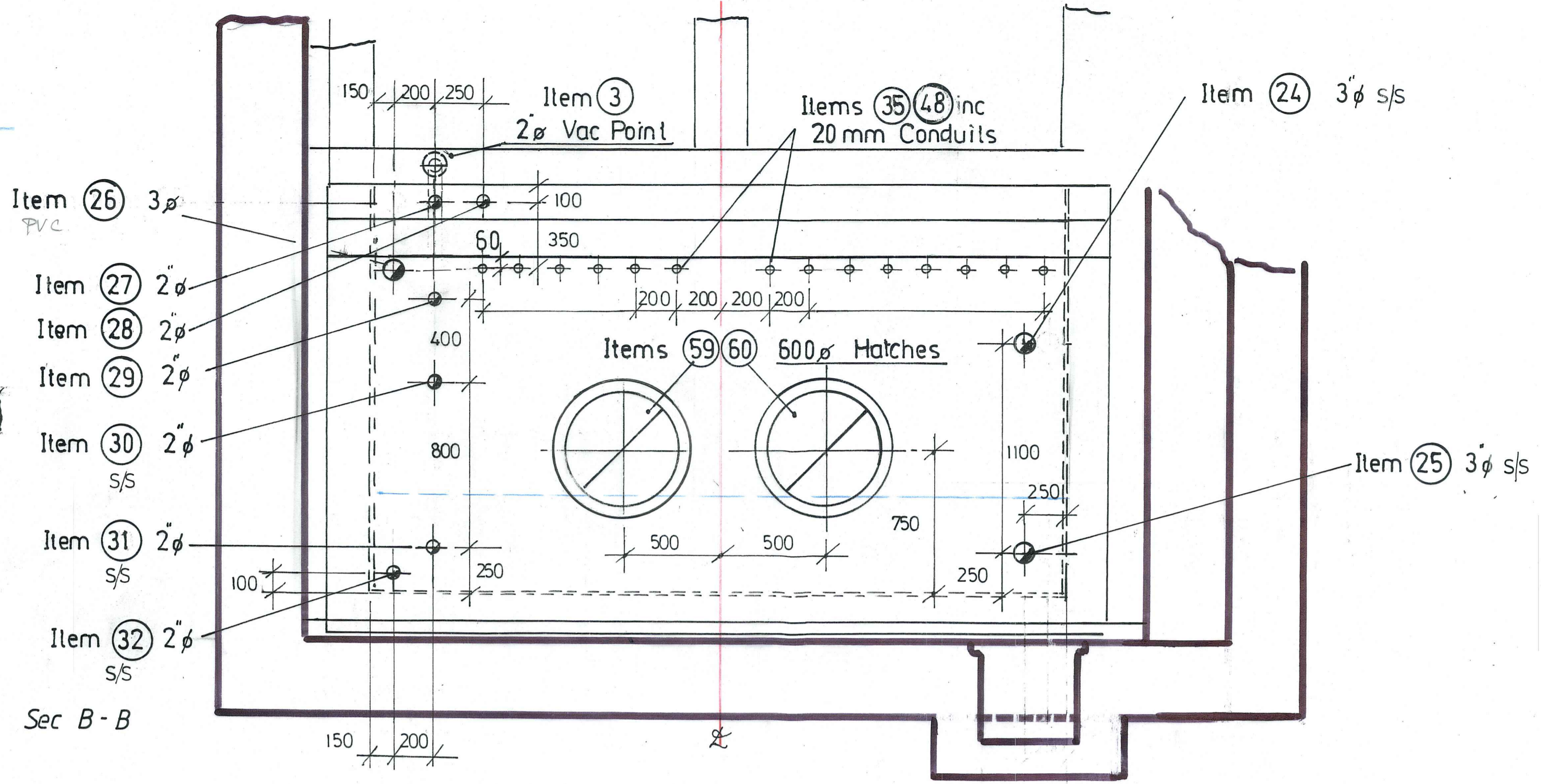
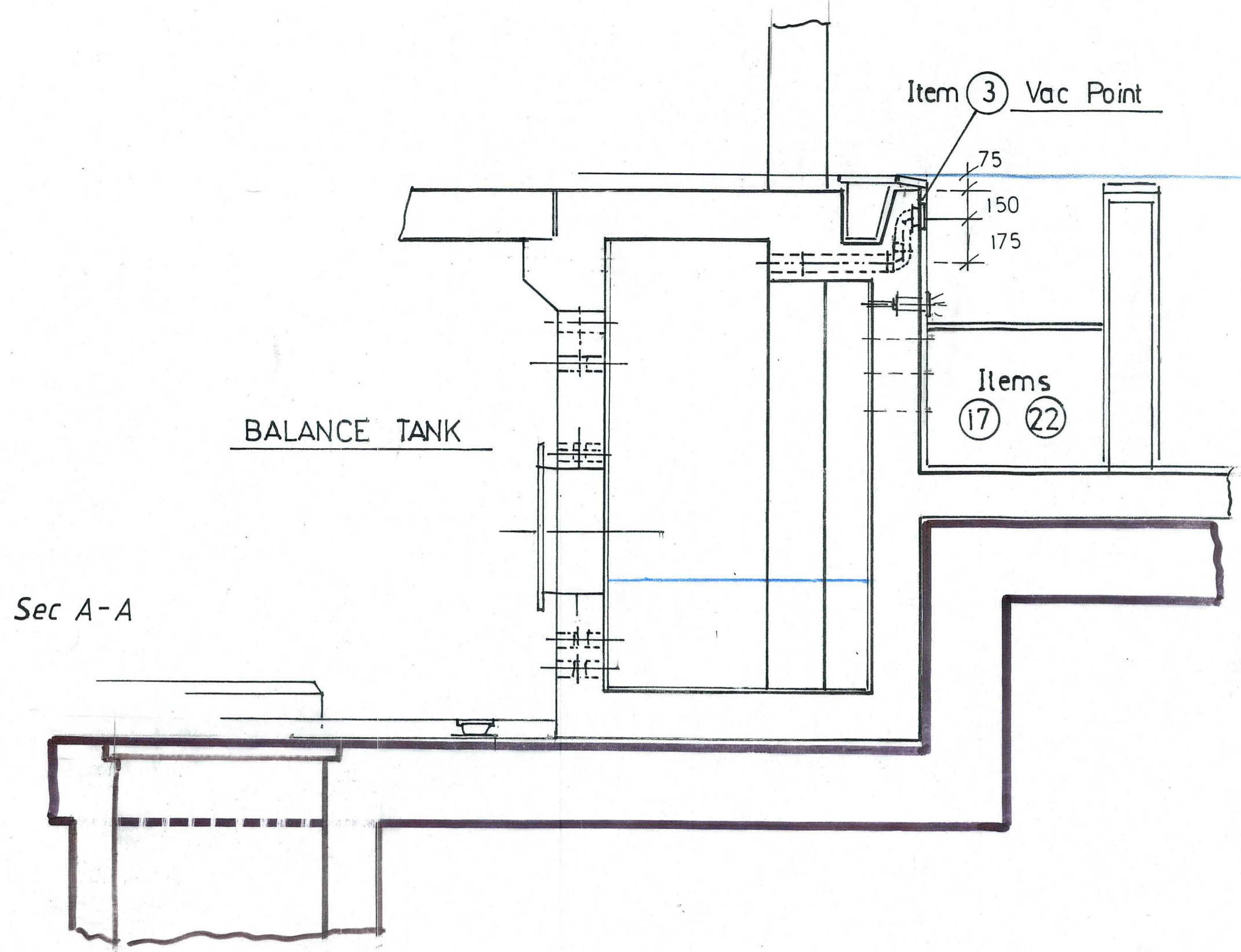


NOTES:
All dimensions must be checked on site and not scaled from this drawing.



A	Date	Revisions

BBS TECHNICAL SERVICES
Water Engineers

12 Long Copse Close - Great Bookham
Nr. Leatherhead - Surrey KT23 3PX
Tel: 01372 456 234 - Fax: 01372 451 619
email: michael.braid1@ntlworld.com

Client

Job Title

24 HEATH DRIVE
LONDON
NW 3 7 SB

Drawing Title

PLAN & SECTIONS
OF
POOL BALANCE TANK

Scale 1.20 at A1

Date Jan 2018 Drawn by M.B.

Drg. No. HCS 1502 005 Rev.