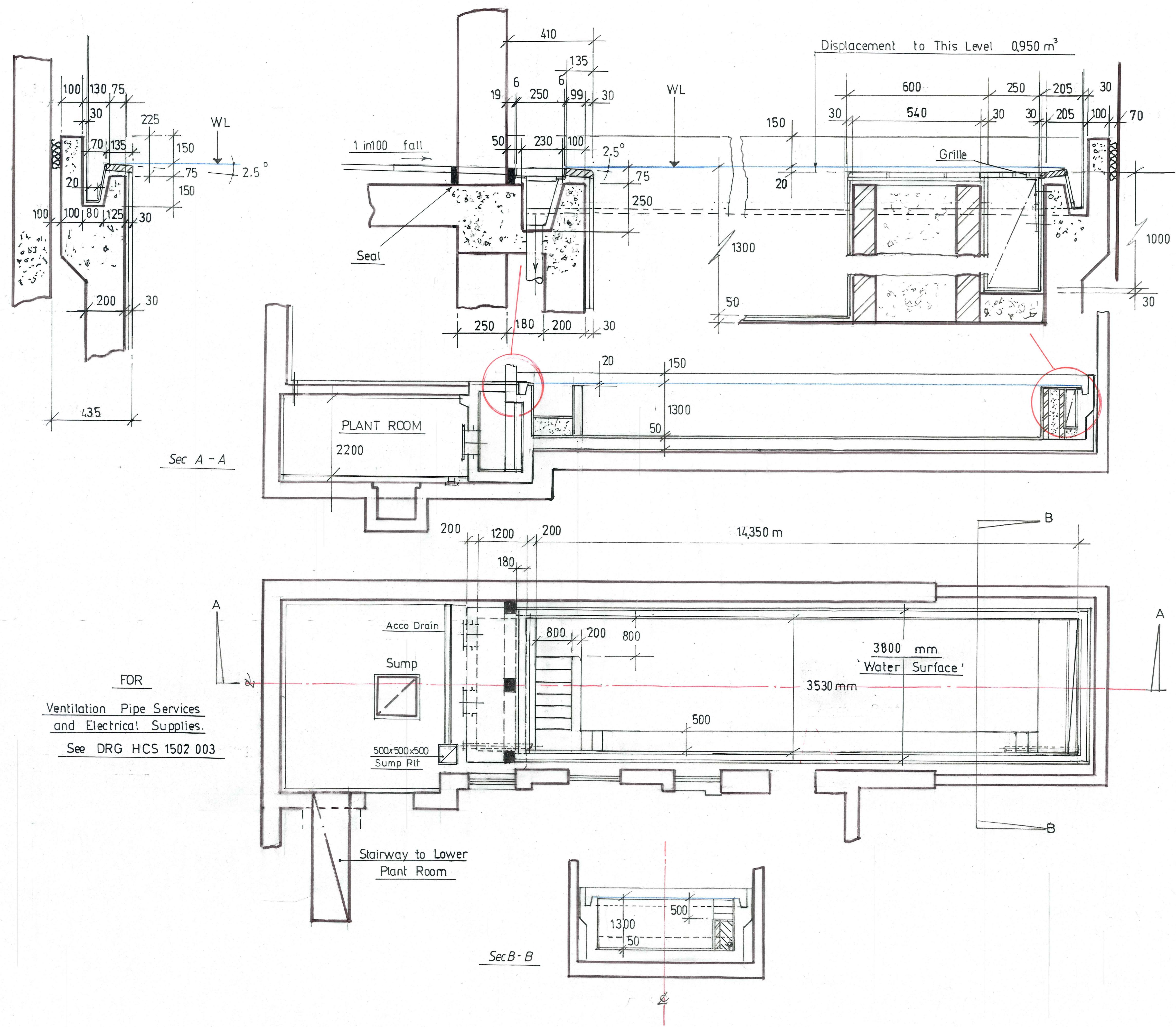


NOTES:
All dimensions must be checked on site and not scaled from this drawing.



FOR
Ventilation Pipe Services
and Electrical Supplies.
See DRG HCS 1502 003

C	Jan2018	Channel Bal-Tark Mod
B	Jan2018	Channel Width Reduced.
A	Jan2018	Channel added Far End.
	Date	Revisions

BBS TECHNICAL SERVICES
Water Engineers
12 Long Copse Close - Great Bookham
Nr. Leatherhead - Surrey KT23 3PX
Tel: 01372 456 234 - Fax: 01372 451 619
email: michael.braid1@ntlworld.com

Client
Job Title
24 HEATH DRIVE
LONDON
NW3 7 SB

Drawing Title
POOL SHELL
PLAN & SECTIONS

Scale 1.50 1.10 at A1
Date Jan 2018 Drawn by M.B.

Drg. No. HCS 1502 002 Rev. C