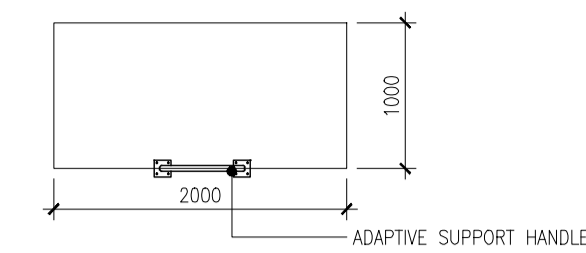
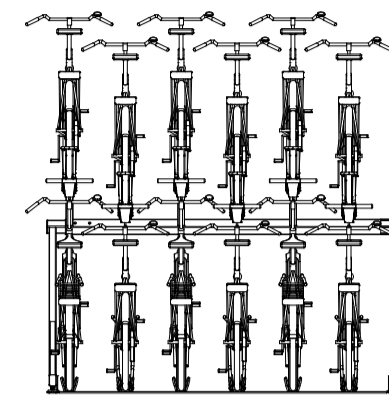




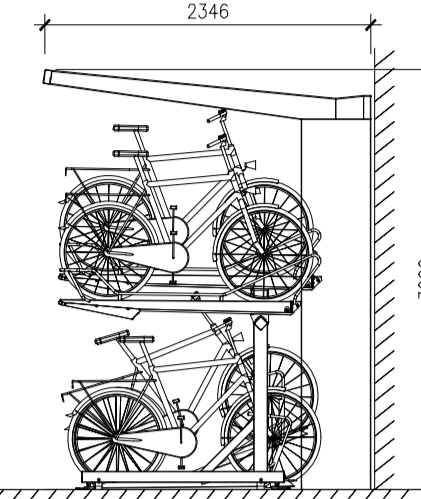
1 GROUND LEVEL PLAN - CYCLE PARKING
SCALE 1:200



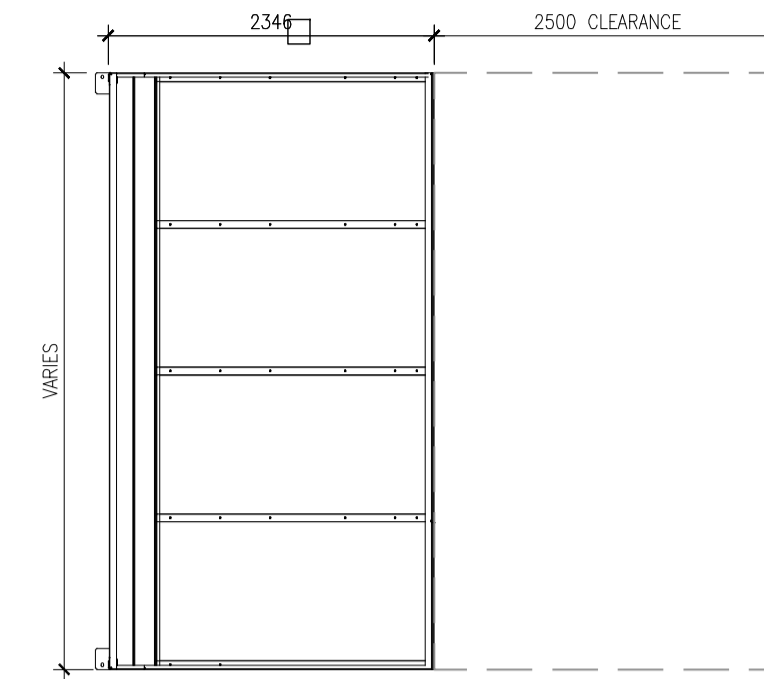
TYPE A - ADAPTIVE CYCLE PARKING
5no. SPACES



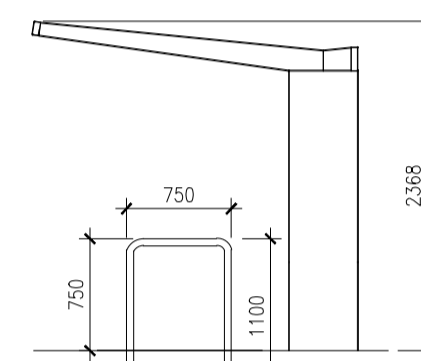
TYPE B - TWO TIER RACK
2PARKUP REAR SUPPORT
40no. SPACES



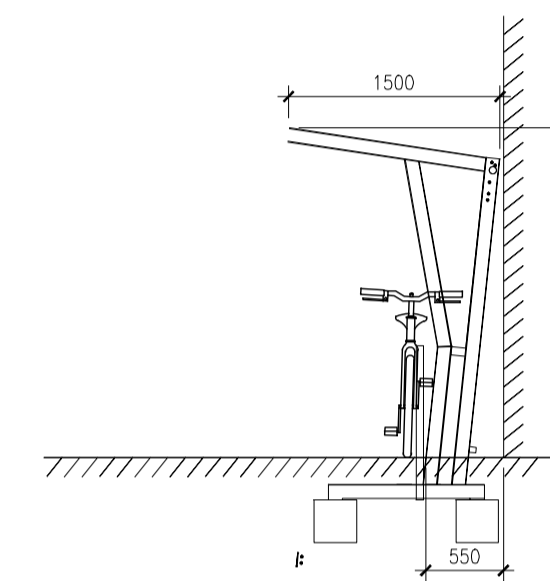
SHELTER: T-HIDEup TWO-TIER CYCLE SHELTER SIDE ELEVATION
POWDER COATED RAL 7021 - BLACK GREY



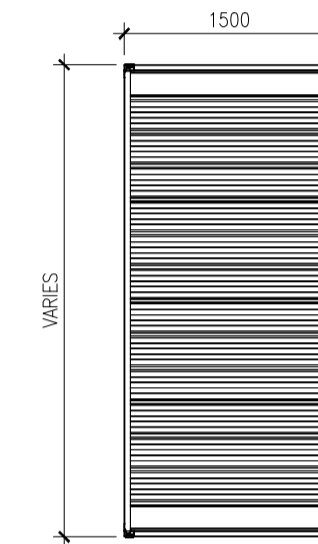
T-HIDE CYCLE SHELTER PLAN
POWDER COATED RAL 7021 - BLACK GREY



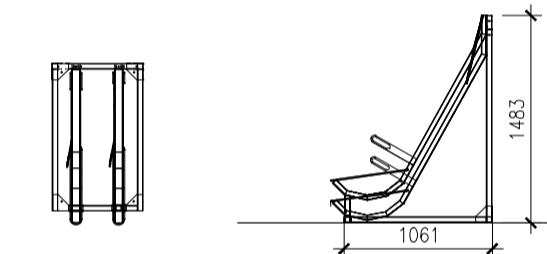
TYPE C - SHEFFIELD STAND
43no. SPACES



SHELTER: MODIFIED WAVE CYCLE SHELTER SIDE ELEVATION
POWDER COATED RAL 7021 - BLACK GREY

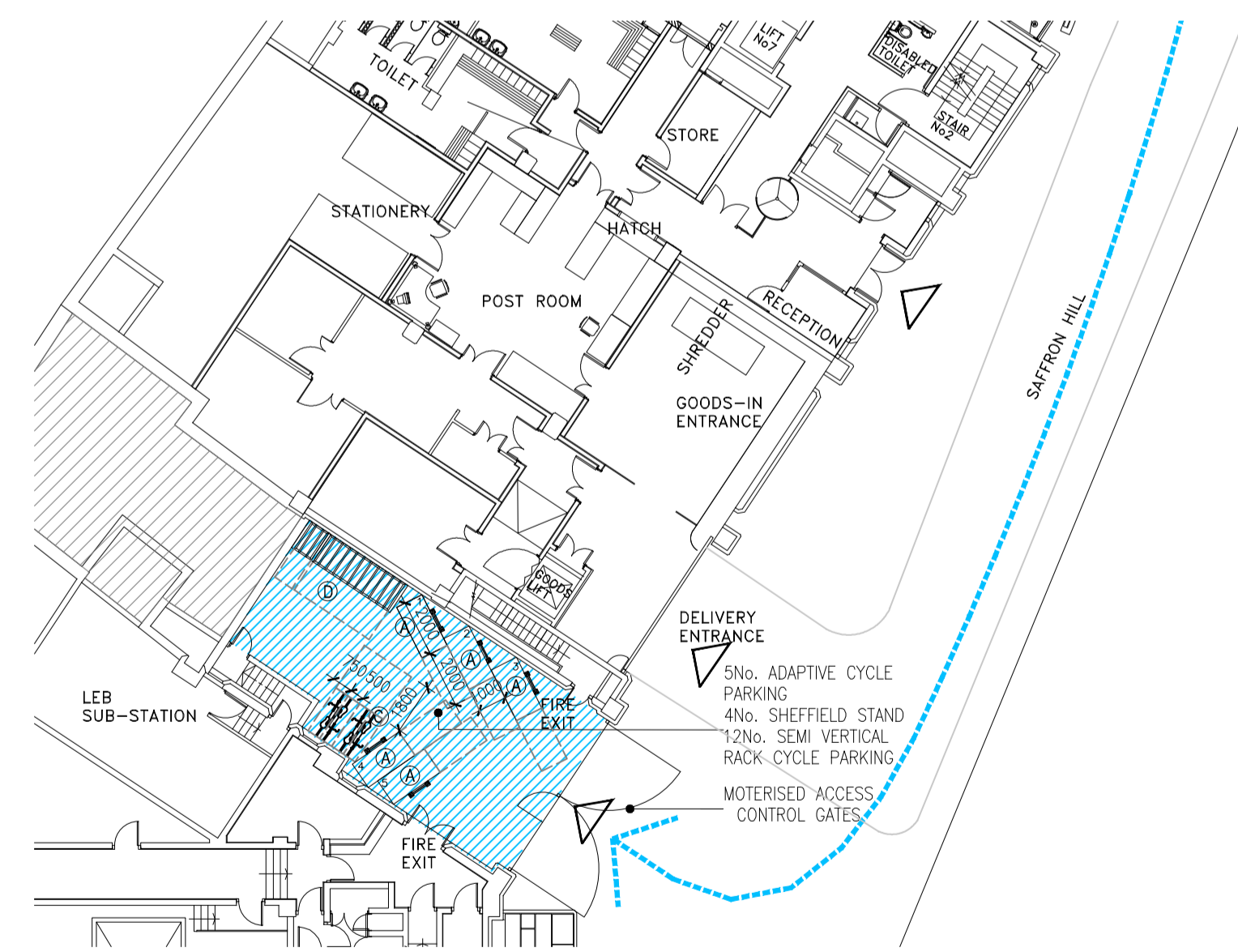


MODIFIED WAVE CYCLE SHELTER PLAN
POWDER COATED RAL 7021 - BLACK GREY

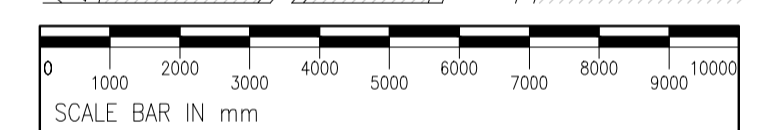
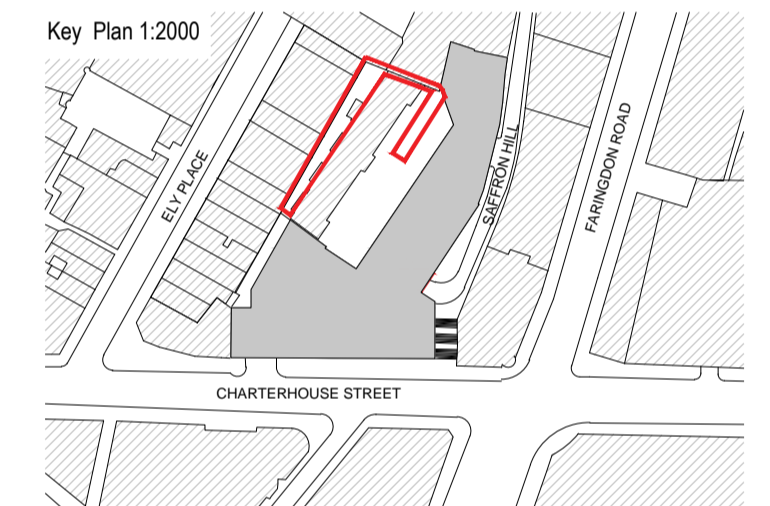


TYPE D - FALCOVERT-PRO
SEMI VERTICAL CYCLE RACK
12no. SPACES

TOTAL NUMBER OF CYCLE PARKING = 100



1 LOWER GROUND LEVEL PLAN - CYCLE PARKING
SCALE 1:200



NOTE: ALL CYCLE AREAS TO BE ADEQUATELY LIT, INCLUDING SECURITY LIGHTING.

P2 24.11.17 ISSUED FOR PLANNING MD
P1 10.08.17 ISSUED FOR PLANNING MD
REV DATE PURPOSE OF ISSUE BY

CLIENT: AA & DB
PROJECT: 17 CHARTERHOUSE ST.
DRAWING: TRAFFIC MANAGEMENT STUDY
CYCLES AND STORAGE

SCALE: A1 @ 1:200 STATUS: PRELIMINARY
CAD FILE: P17-059-A-07-SIT-04_P1.DWG DRAFTER: MD
DRAWN: MD CHECKED: NA CONSTRUCTION: AS BUILT

DRAWING NO. P17-059 A 07 SIT 04 P2
NO. bds. series. floor/type no. rev.

MCM

MCM Architecture Limited T 020 7902 0900 F 020 7922 1233
71 Hopson Street London SE1 9LR www.mcm-uk.com