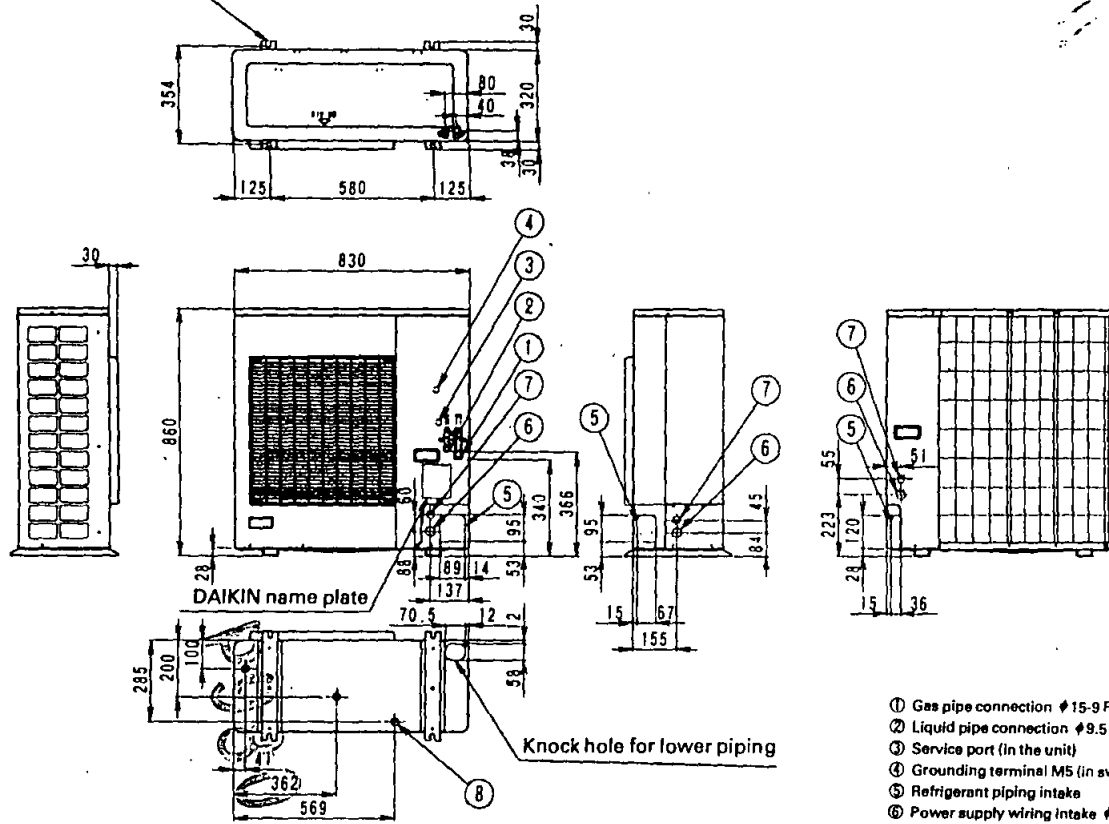


Unit (mm)

R71FJ

Hole for anchor
bolt 4-M12



- ① Gas pipe connection ϕ 15.9 Flare
- ② Liquid pipe connection ϕ 9.5 Flare
- ③ Service port (in the unit)
- ④ Grounding terminal M5 (in switch box)
- ⑤ Refrigerant piping intake
- ⑥ Power supply wiring intake ϕ 34 knock hole
- ⑦ Control wiring intake ϕ 27 knock hole
- ⑧ Drain outlet

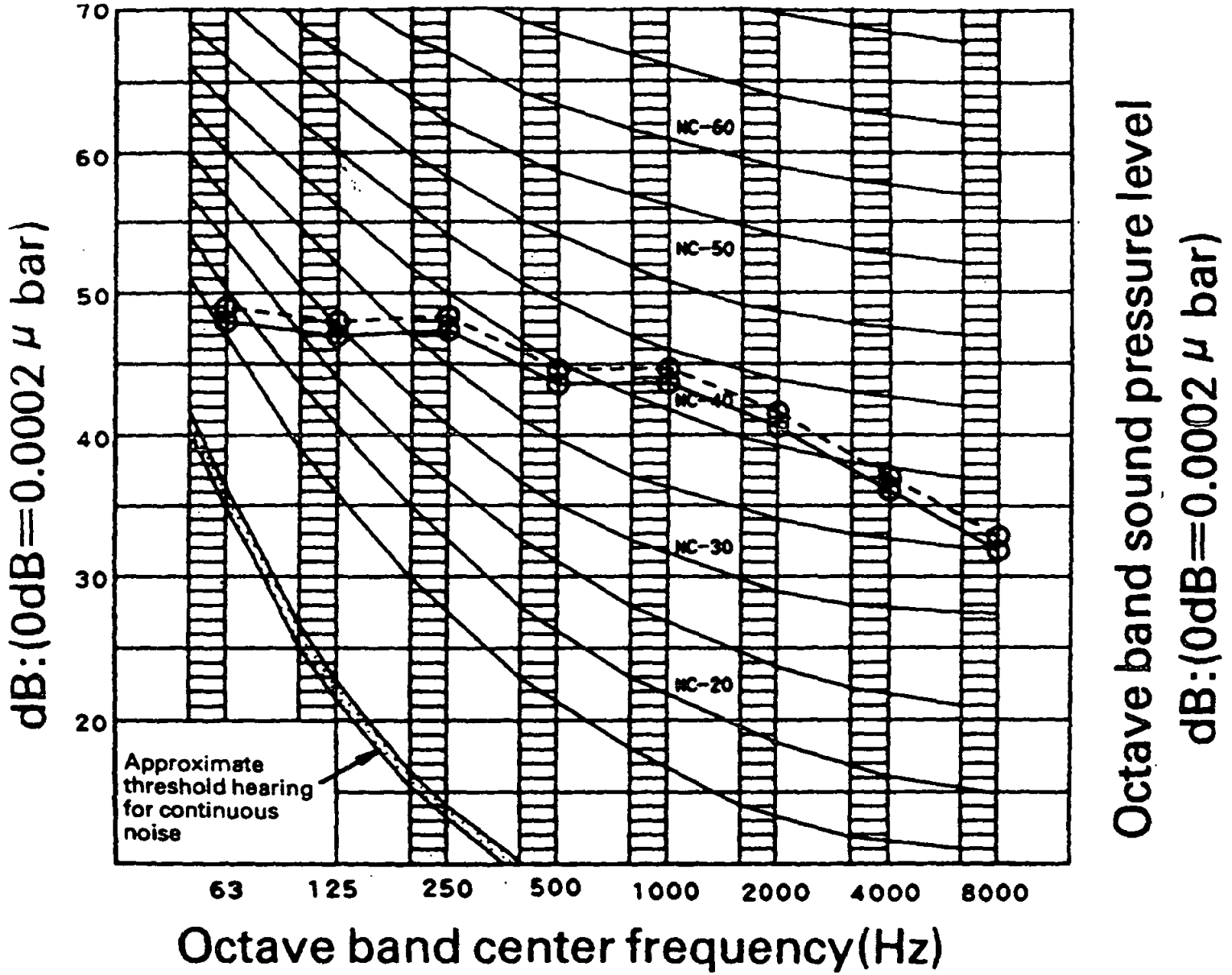
4954

ON BEHALF OF THE COMMISSION
 LONDON BOROUGH OF CROYDON
 03 DEC 1998
 TOWN AND COUNTRY PLANNING
 SECTION

LONDON BOROUGH OF CAMDEN
 TOWN AND COUNTRY PLANNING ACTS
 03 DEC 1998
 PLANS APPROVED
 ON BEHALF OF THE COUNCIL

■ R71FJV1, FJVY1

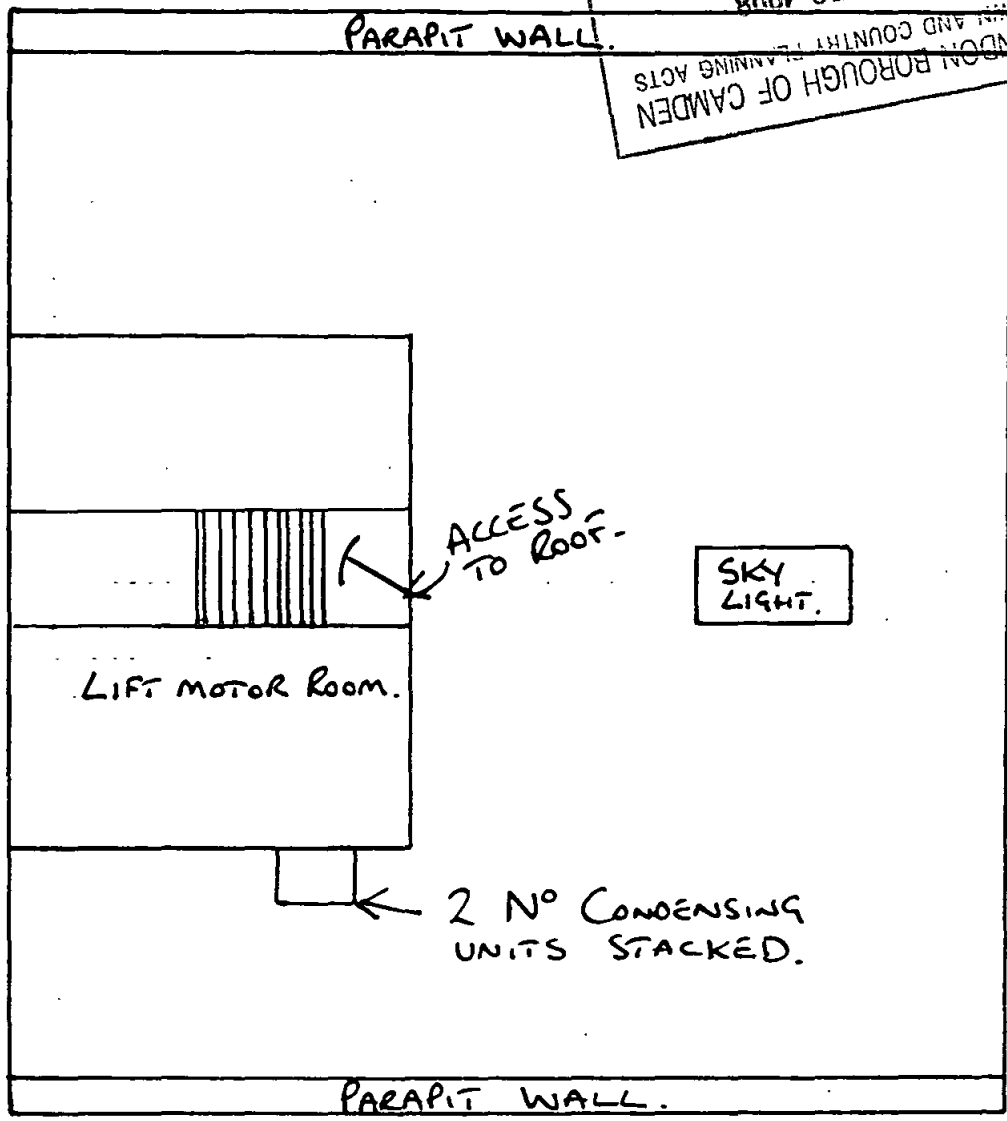
220~240V, 50Hz



P9804954 -

TOTTENHAM COURT RD

PLANS APPROVED
ON BEHALF OF THE COUNCIL
03 DEC 1998
LONDON BOROUGH OF CAMDEN
TOWN AND COUNTRY PLANNING ACTS



MORWELL STREET.

SCALE 1:100

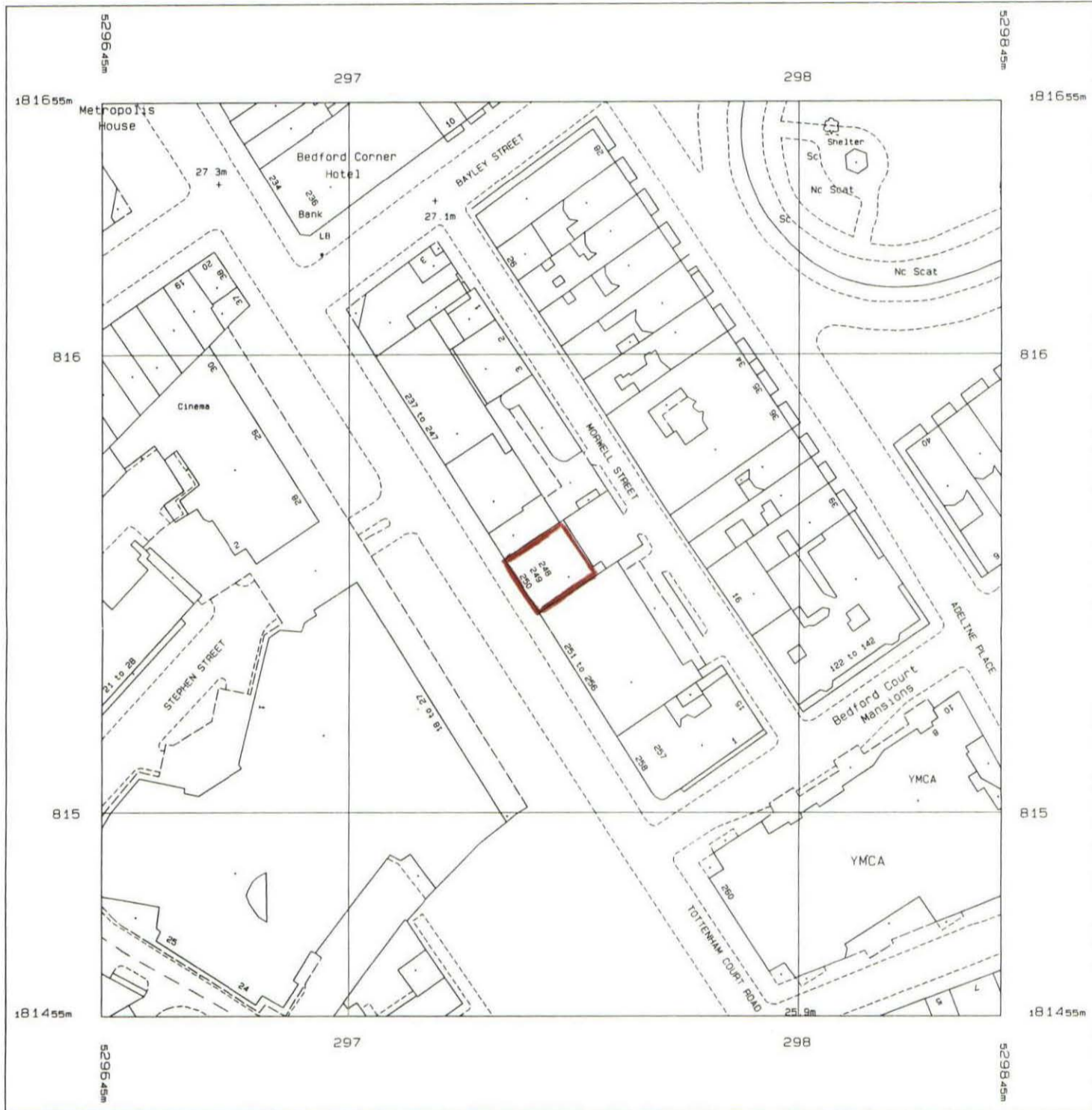
P9804954 Roof-LAYOUT.



ADCOCK
Refrigeration and Air Conditioning Ltd

CHELMSFORD

Sales & Service: Tel. (01245) 359595



Produced 08 Sep 1998 from Ordnance Survey digital data and incorporating surveyed revision available at this date. © Crown Copyright 1998.

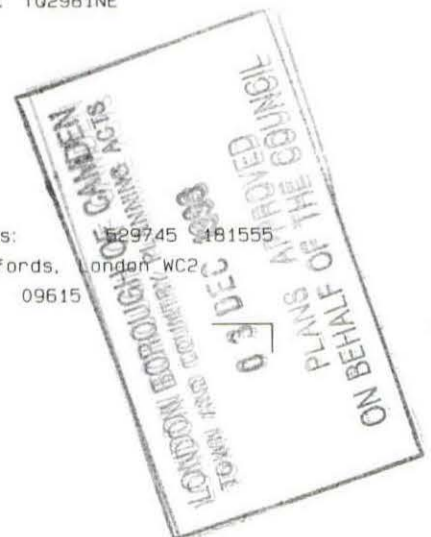
Reproduction in whole or in part is prohibited without the prior permission of Ordnance Survey.

Scale 1: 1250

National Grid sheet reference at centre of this Superplan: TQ2981NE

This Superplan product does not contain all recorded map information.

Centre Coordinates: 529745 181555
 Supplied by: Stanfords, London WC2
 Serial Number: 09615



P9804934

P9804954 -