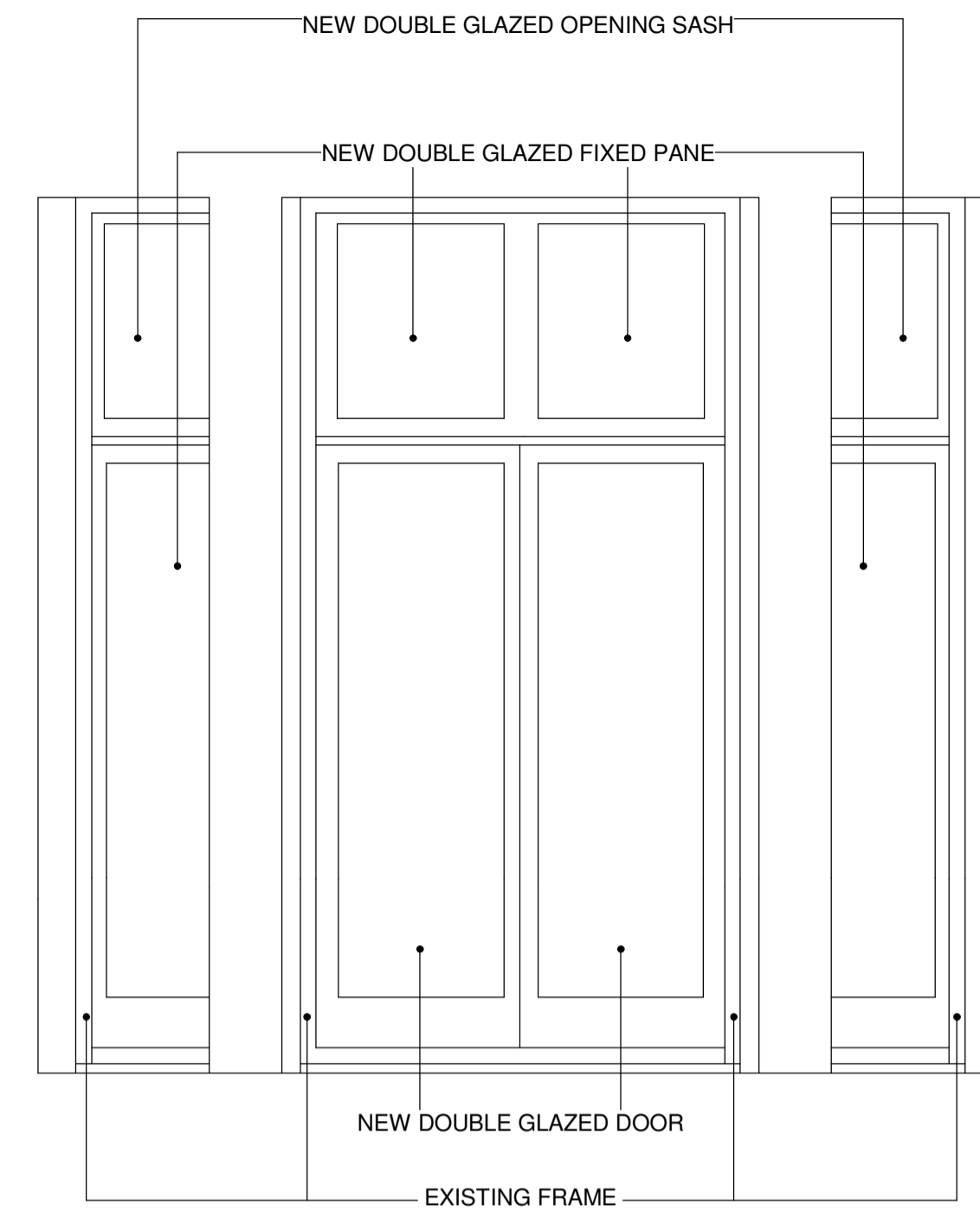
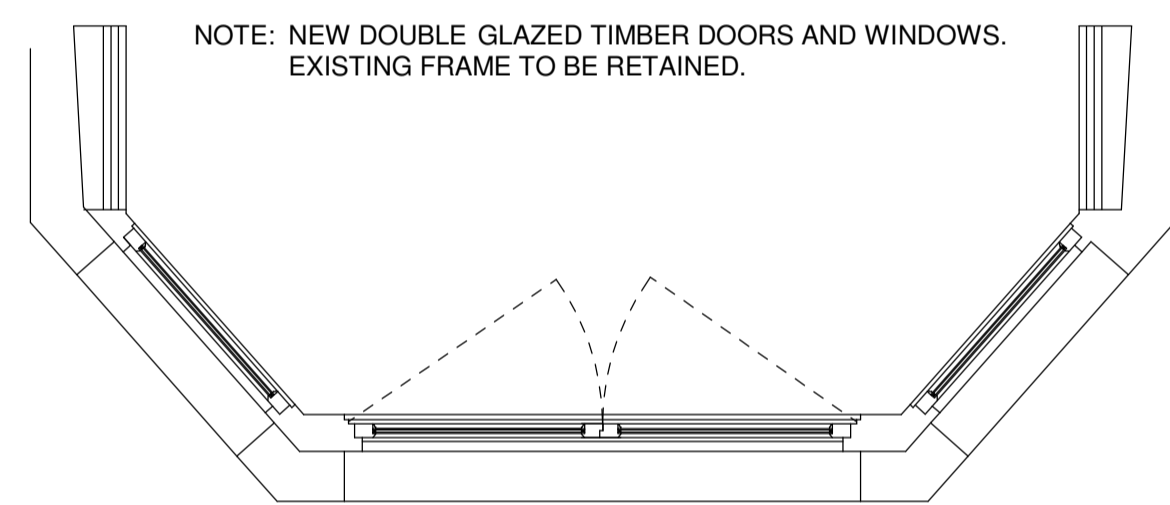


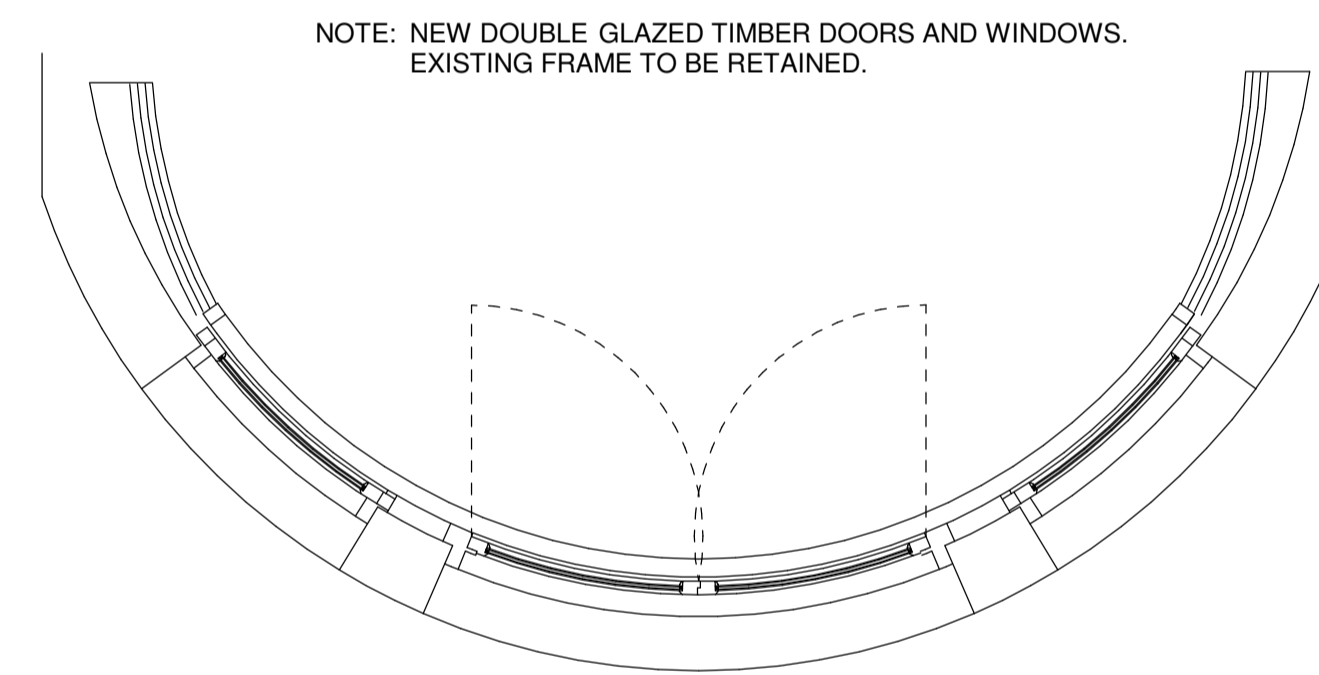
W1



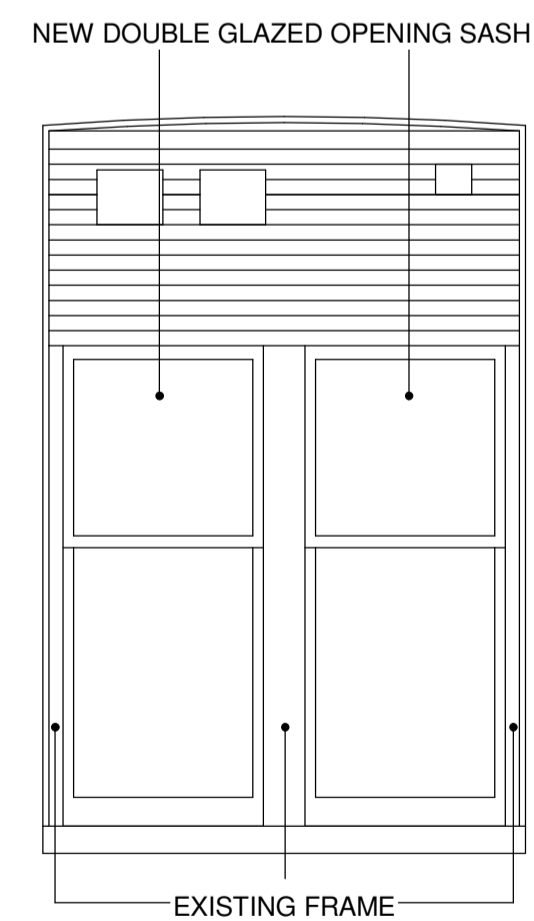
W5



NOTE: NEW DOUBLE GLAZED TIMBER DOORS AND WINDOWS.
EXISTING FRAME TO BE RETAINED.

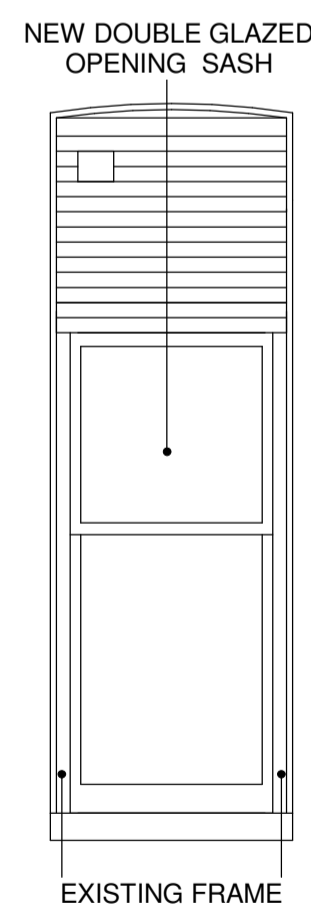


NOTE: NEW DOUBLE GLAZED TIMBER DOORS AND WINDOWS.
EXISTING FRAME TO BE RETAINED.



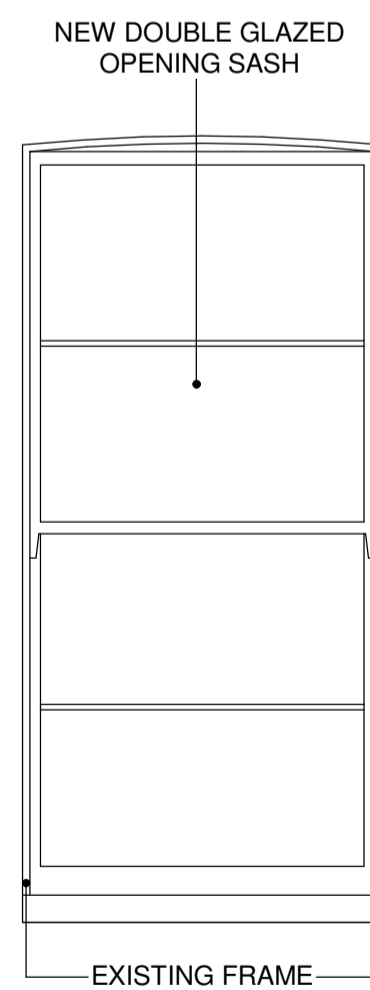
W2

NOTE: NEW DOUBLE GLAZED
TIMBER SASH.
EXISTING FRAME TO BE
RETAINED.



W3

NOTE: NEW DOUBLE GLAZED
TIMBER SASH.
EXISTING FRAME TO BE
RETAINED.



W4

NOTE: NEW DOUBLE GLAZED
TIMBER SASH.
EXISTING FRAME TO BE
RETAINED.

1 Proposed Windows and Doors
1 : 25



Rev	Date	Description	Drawn	Chkd	Appr
00	01.02.18	Planning Application			

Graham Ford Architects
Britannia House
11 Glenthorne Road
London W6 0LH
+44 (0)208 748 2024
+44 (0)7949495261
graham@grahamfordarchitects.com

Project
**64 Belsize Park Gardens,
NW3 4NE**

Drawing Title
**Proposed Windows and
Doors**

Designed	G.F.	Signed		Date	
Drawn	R.O.	Signed		Date	
Checked	G.F.	Signed		Date	
Approved		Signed		Date	
Scale(s)	1 : 25@A1	1 : 50@A3			
Drawing Number	PL-1020				