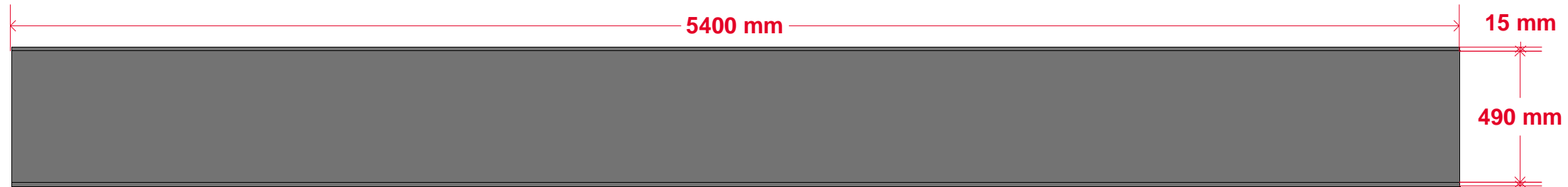


Camden High Street (front elevation)

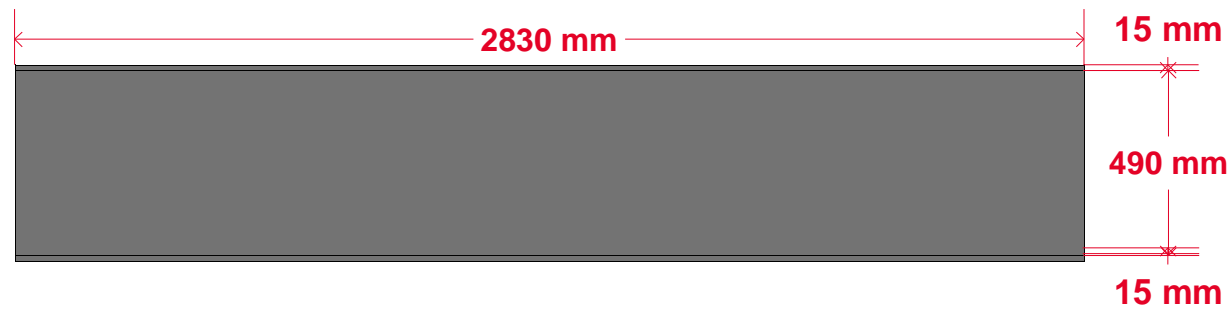
1



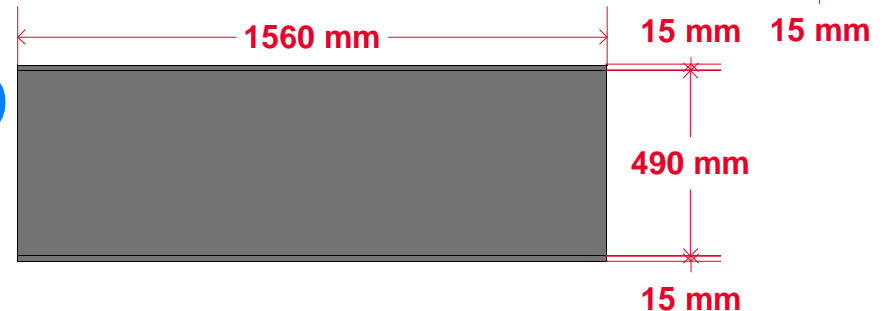
2



3

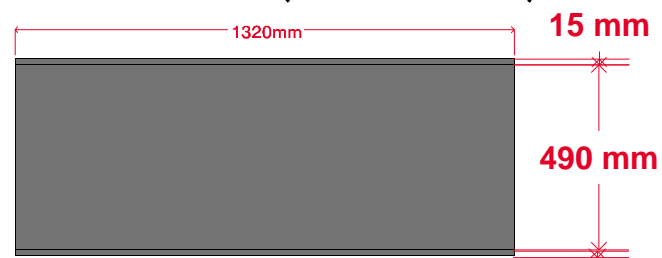


4



Plender Street (side elevation)

5

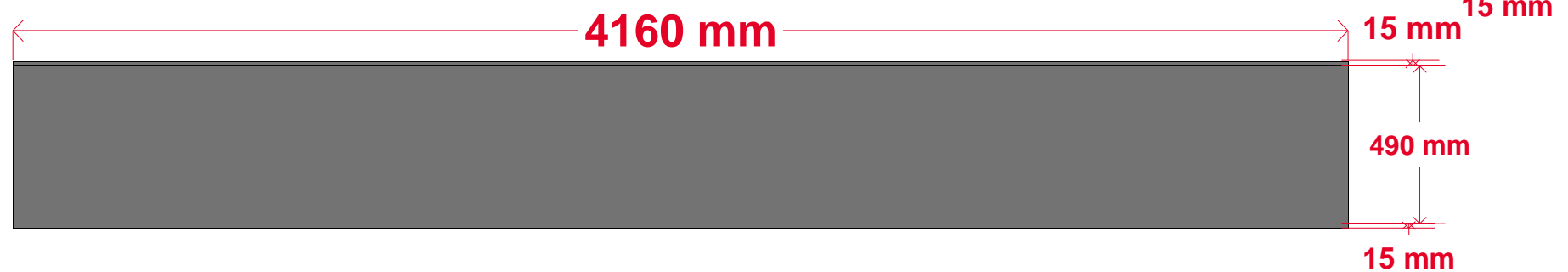


1 no. each folded aluminium sign panels with 20mm up/downstand and 55mm returns painted grey.

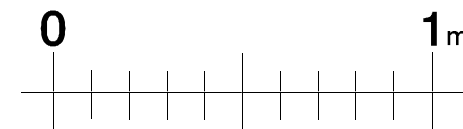
6



7



1:20 at A3



CLIENT & LOCATION	
Belushi Bar, The Wheatsheaf, 48 - 50 Camden High Street, London NW1	
DRAWING TITLE	
Folded fascia panels	
ORIGINAL DRAWING BY	DATE
D. Hilditch	20/11/2017
PROJECT MANAGER	
G. Burbidge	
DRAWING NO.	
3535 - 06	
REVISION	
B 16/1/18 D. Hilditch added ral ref (grey)	
A 28/09/17 D. Hilditch Original drawing, Survey required.	

For planning



CONTACT
Unit 6, Metro Triangle, Mount Street, Nechells,
Birmingham, B7 5QT.
Registered in England 2755795
t. 0121 328 2883
e. sales@academysigns.co.uk
www.academysigns.co.uk

The designs and illustrations are intended for, and should only be used by those to whom it is addressed to. The designs and illustrations are confidential and remain the property of Academy Signs Ltd. They should not be copied, modified or distributed without the written consent of Academy Signs Ltd.