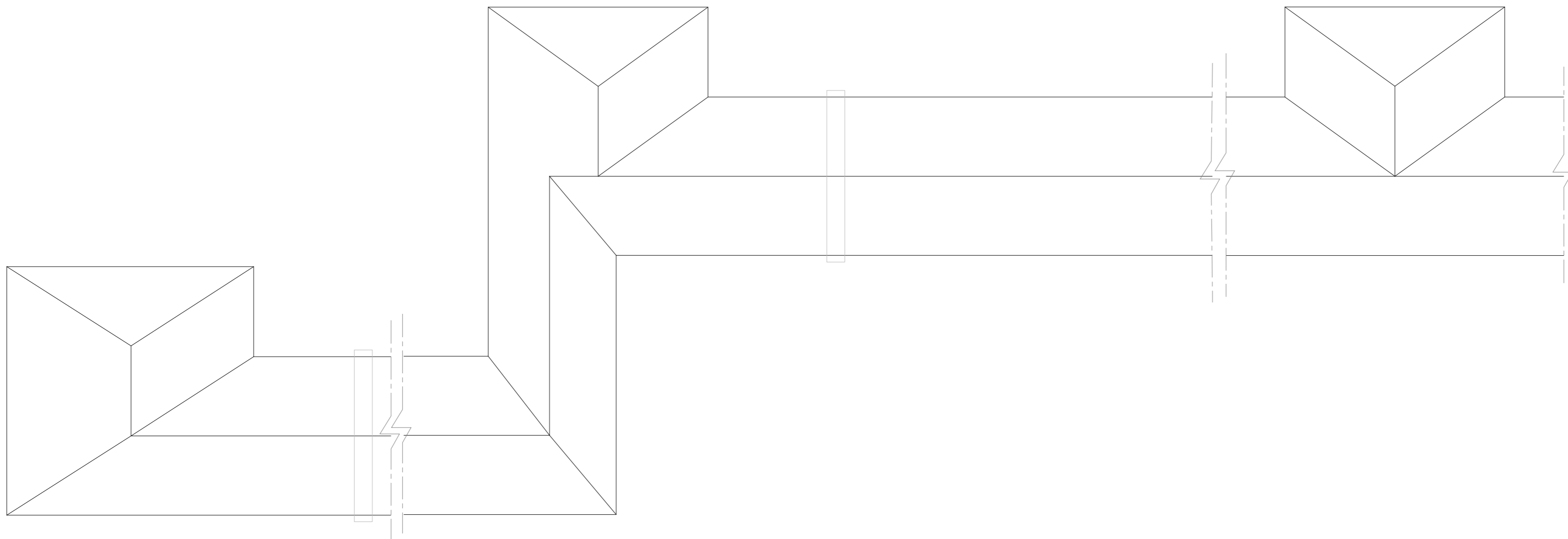
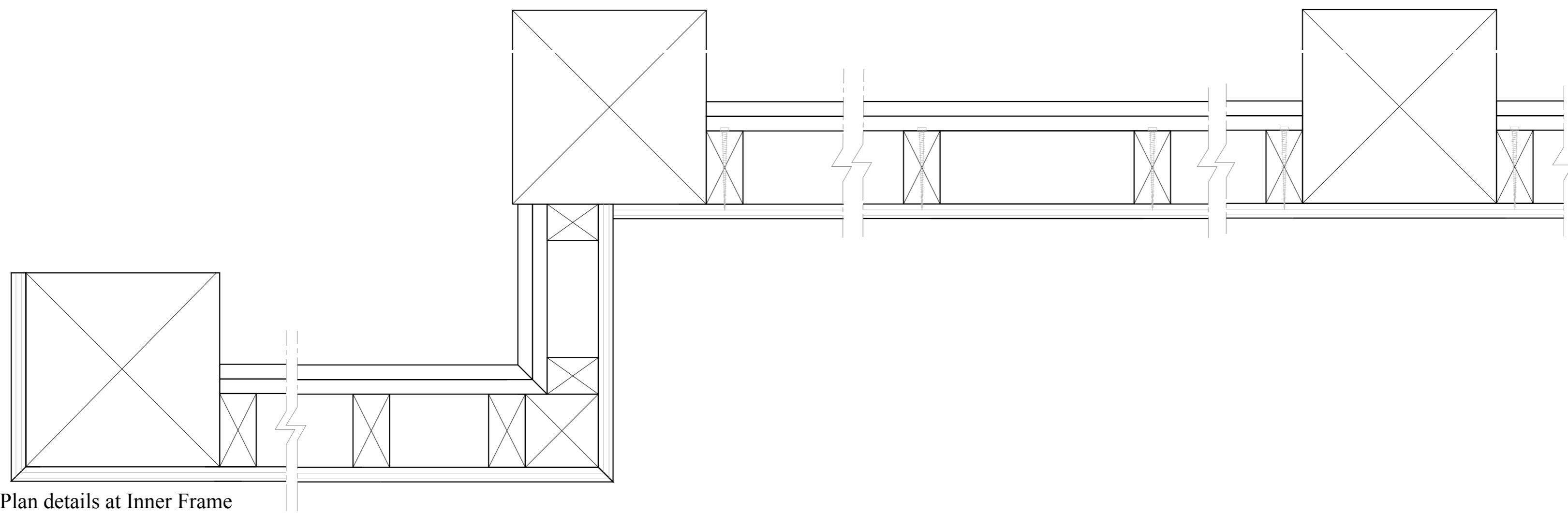


North

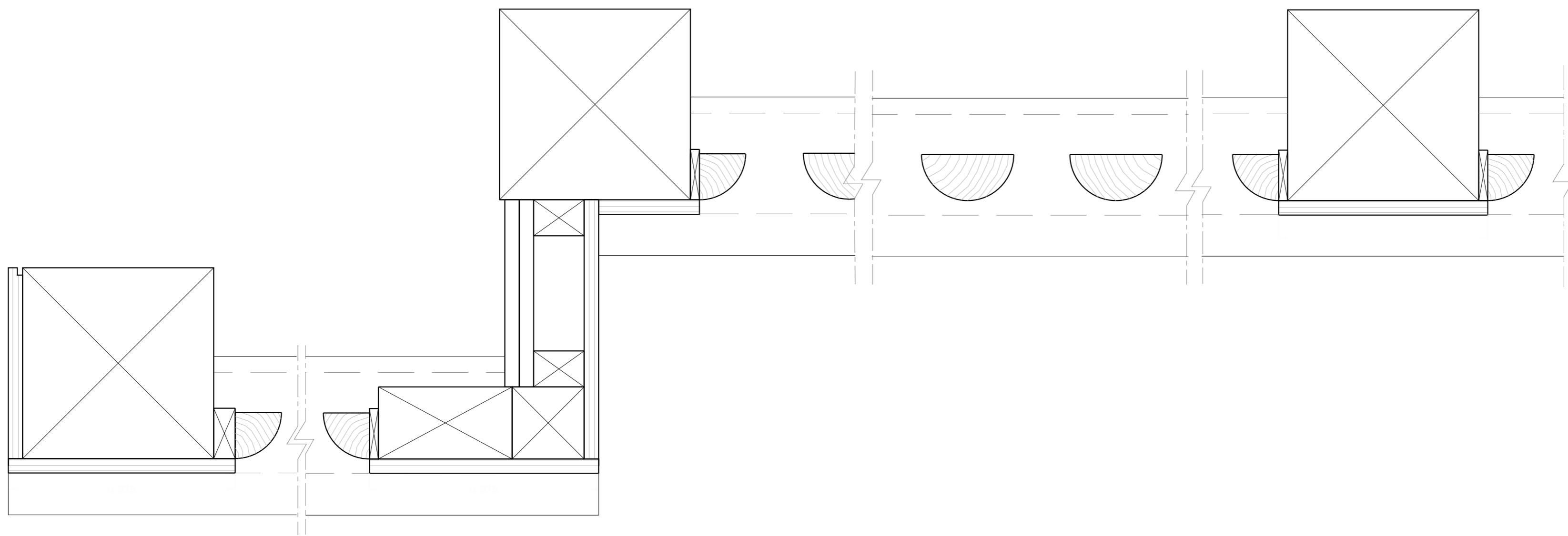
South



Plan details of Capping
1:5 As Existing

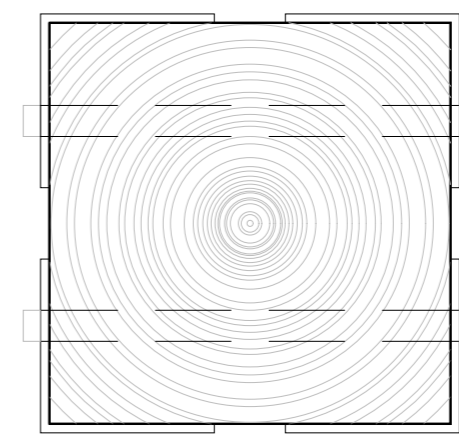
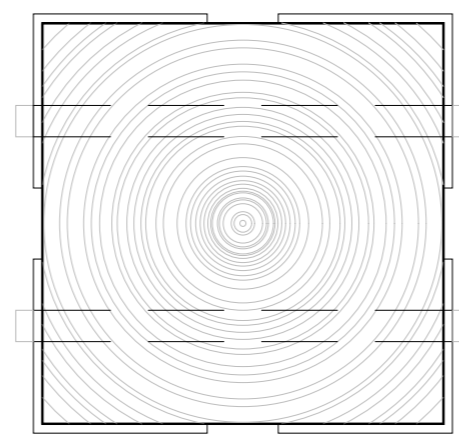


Plan details at Inner Frame
1:5 As Existing

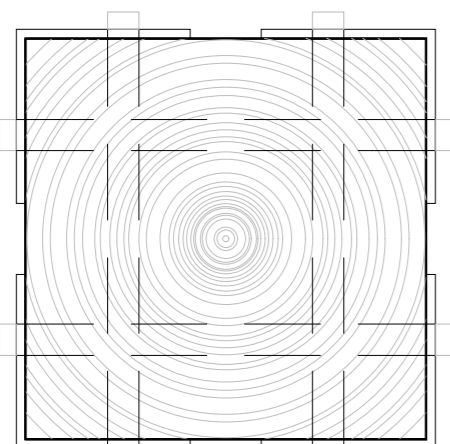


Plan details at Balustrade
1:5 As Existing

South



North



Plan details at Base of Main Posts
1:5 As Existing

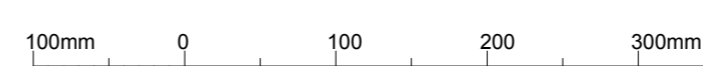
Revision	Date	Comments
DO NOT SCALE FROM THIS DRAWING		

DRAFT

Kenwood House, Hampstead, NW3
 RECONSTRUCTION OF THE SHAM BRIDGE
 SURVEY
 CONSTRUCTION DETAILS
 As Existing
 PLAN SECTIONS

CARDEN & GODFREY Architects
Carden & Godfrey Limited
 33 Clerkenwell Close
 London EC1R 0AU
 Telephone: 020 7490 0300
 Facsimile: 020 7590 0004
 mail@cardenandgodfrey.co.uk

Scale	Size	Date	Drawn	No.	Rev.
1:5	A1	Nov. 2017	DK	5166.10.04	



© Carden & Godfrey Ltd own the copyright of this drawing and design which must not be reproduced in whole or part without the written permission of Carden & Godfrey Ltd