



- GENERAL NOTES
- THE LAYOUT OF MAINS IS GENERALLY IN ACCORDANCE WITH THE "REPORT OF JOINT COMMITTEE ON LOCATION OF UNDERGROUND SERVICES" PUBLISHED BY THE INSTITUTION OF CIVIL ENGINEERS.
 - THE DIMENSIONS SHOWN REPRESENT THE PREFERRED ARRANGEMENT IN STRAIGHT ROUTES ON RESIDENTIAL ESTATES. VARIATIONS MAY BE NECESSARY AT CURVES AND CHANGES OF GRADE.
 - THE SPACE ALLOCATED IS CONSIDERED TO BE THE ABSOLUTE MINIMUM AND IN CERTAIN CIRCUMSTANCES, E.G. WHERE BOTH H.V. AND L.V. CABLES ARE LAD, THE L.V. CABLE WILL BE LAD IN THE ALTERNATIVE POSITION AND ADDITIONAL WIDTH MAY BE REQUIRED.
 - WHERE SERVICES ARE TO BE CONNECTED TO GAS MAINS, A MINIMUM DISTANCE OF 2.0m IS REQUIRED BETWEEN THE BUILDING LINE AND THE CENTRE LINE OF THE MAIN.
 - THE UTILITIES SHOULD BE LAD AT A MINIMUM DEPTH WHEN CROSSING CARRAGEWAYS AS FOLLOWS:
 TELECOMMUNICATIONS - 600mm WATER - 800mm
 ELECTRICITY - 700mm ELECTRICITY - 600mm
 GAS
 - DIMENSIONS SHOULD ALWAYS BE MEASURED FROM THE REAR OF THE PAVEMENT LINE.

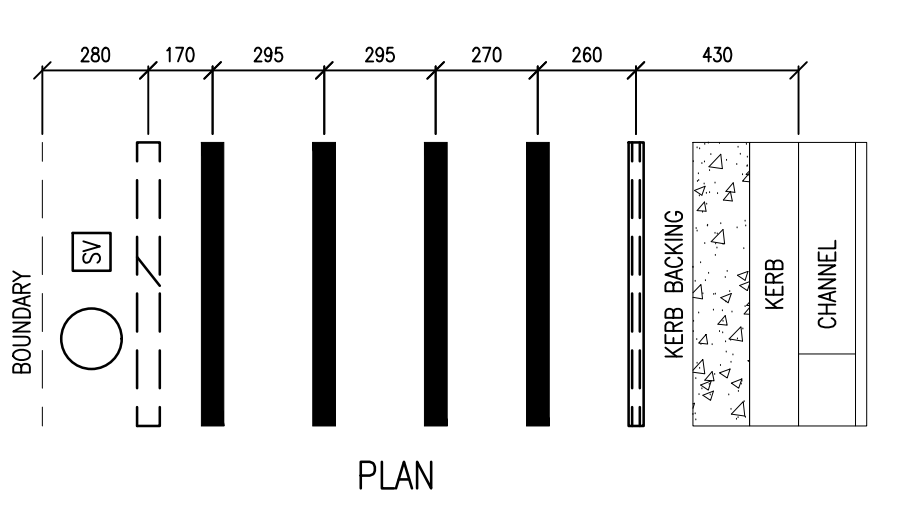
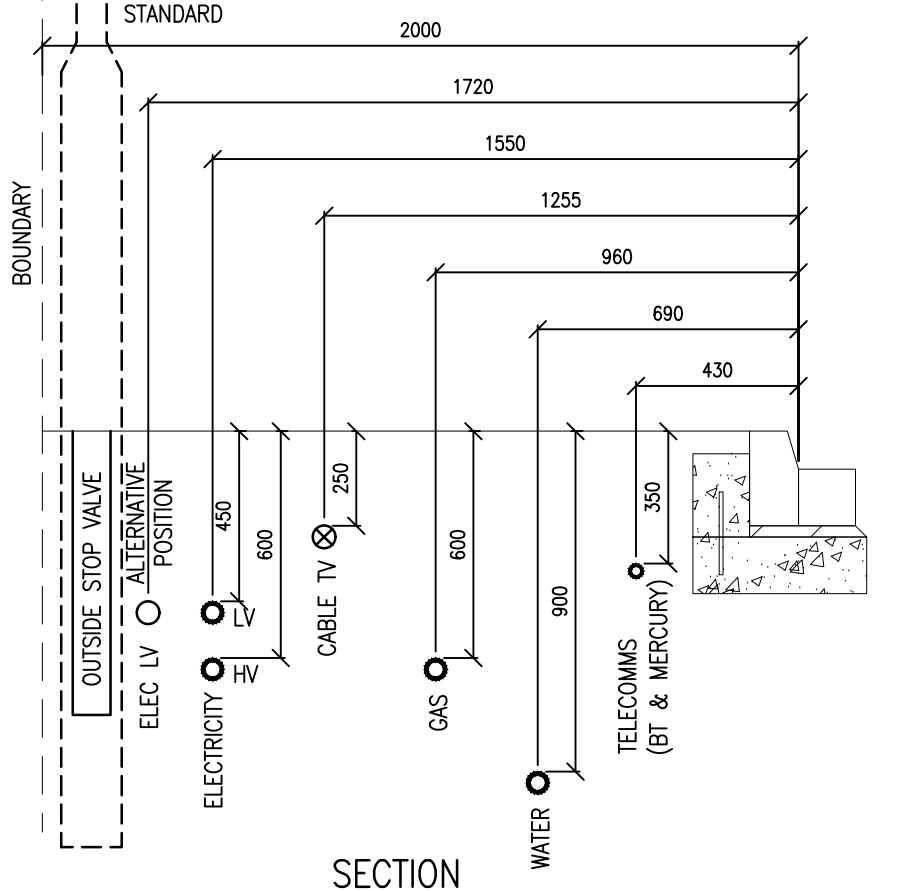
THIS DRAWING IS FOR INFORMATION ONLY
DO NOT SCALE

CDM REGULATIONS			
NUMBERS	DATE ADDED	DATE WITHDRAWN	RISK POSITIVE DATE

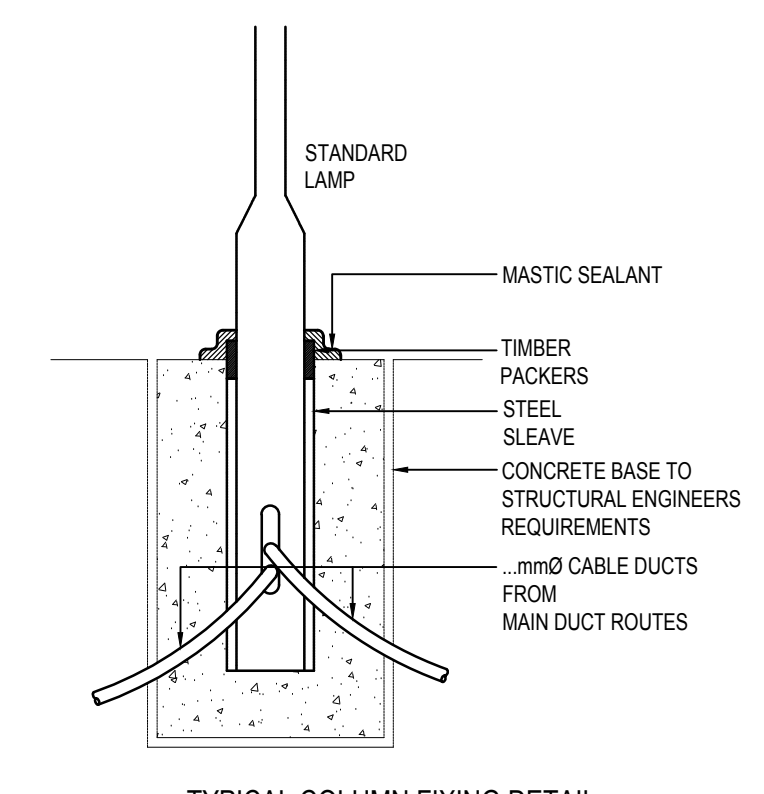
LEGEND

- DRAIN CHANNEL
- SURFACE WATER
- COMBINED WASTE
- FOUL WASTE
- GAS
- MCWS
- BCWS
- LPHW
- EXISTING DUCTING (EXTERNAL LIGHTING)
- EXISTING SERVICES TO BE DEMOLISHED
- DUCT FOR CCTV
- EXISTING 1000 DUCTING
- DUCT FOR FUTURE FLOOD LIGHT

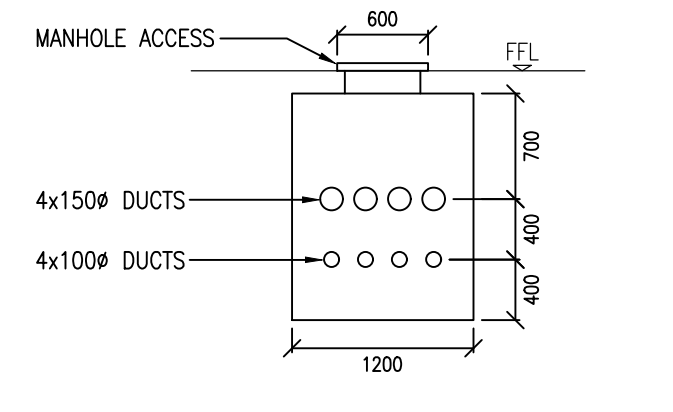
X DRAWNPT - 1200x1200x1500mm
● LP LAMP POST



DETAIL 1



REF. 8.2



REV	DATE	AMENDMENTS	KAS	BY

AS INSTALLED

Commercial Services Design Ltd
 Level 2
 Woodside Court
 Clarendon Wood Road
 London
 E20 3EP
 Tel: 01753 632119
 Web: www.csdesign.co.uk

CLIENT
WATES CONSTRUCTION

PROJECT
**HAMPSTEAD SECONDARY SCHOOL
 CAMDEN**

TITLE
**MECHANICAL & ELECTRICAL SERVICES
 COMBINED EXTERNAL SERVICES LAYOUT**

SCALE	1:250	SHEET	AO
DRAWN BY	KAS	ENGINEER	KAS
STARTED	JUL '15'	ISSUED	JAN '18'
CHECKED BY	K. A. SWAIN		
Job Number	1050a	Originator	ME
Zone	-	Dwg Number	002
Revision	Z01		

THE ARCHITECTURE IS BASED ON PLUNKER DRAWING No. 0220 WORKING
 22.01.15