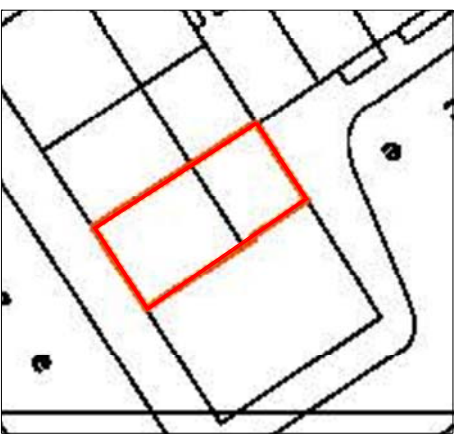
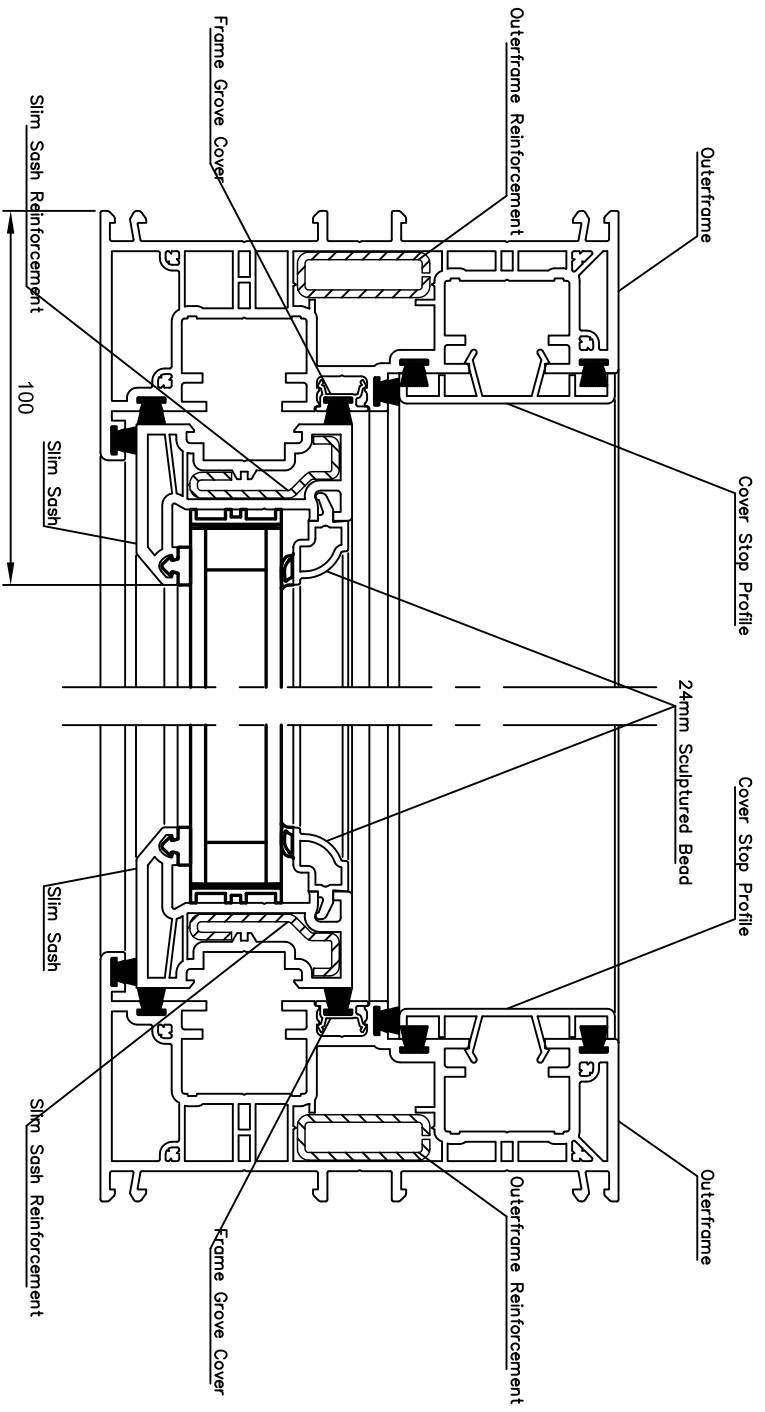


LEGEND:

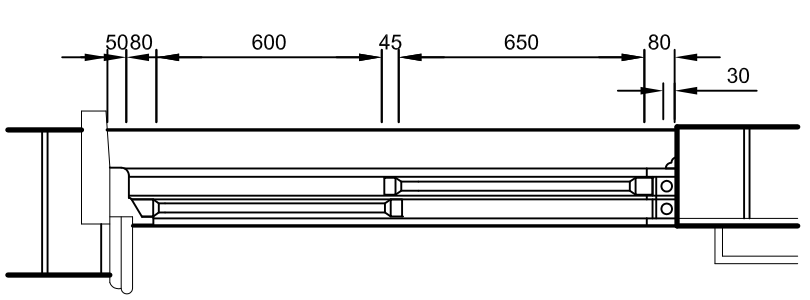
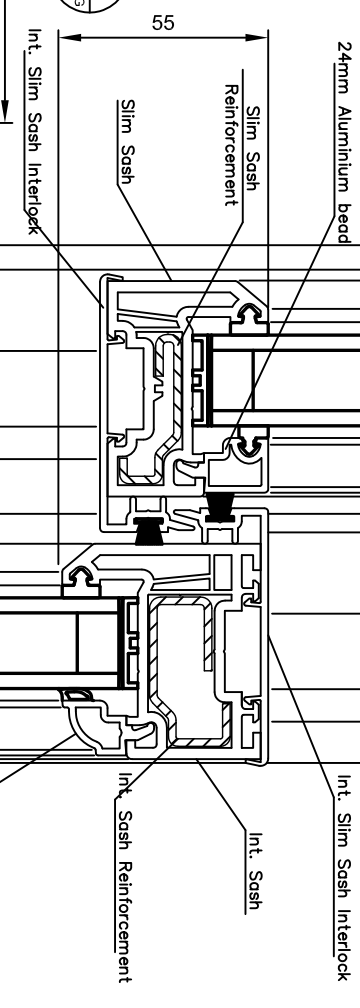
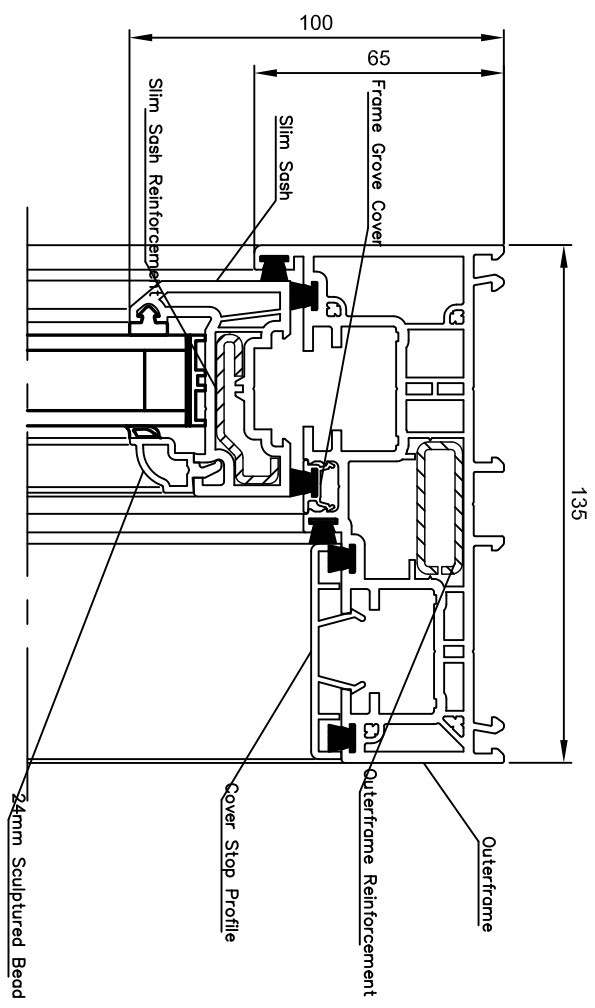
 54 GOODGE STREET



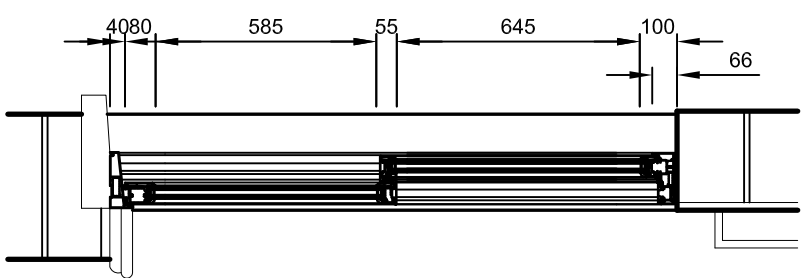
BLOCK PLAN
1:500



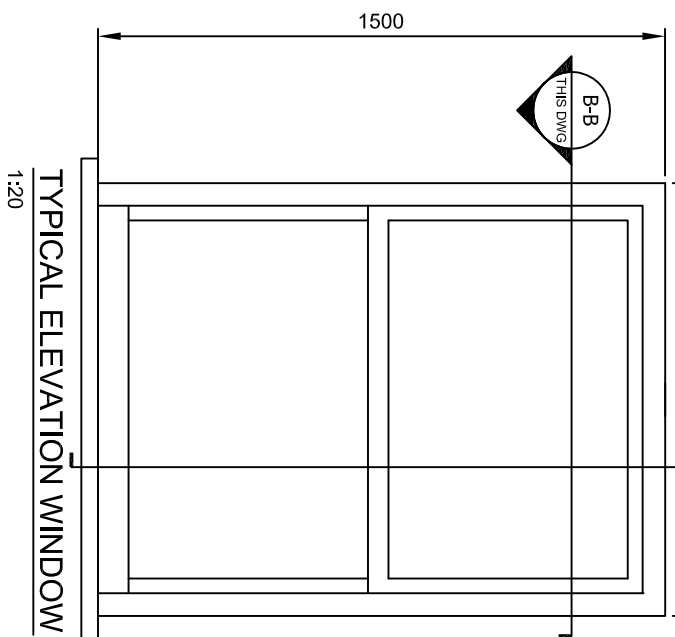
B-B
1:2
PROPOSED TYPICAL WINDOW SECTION



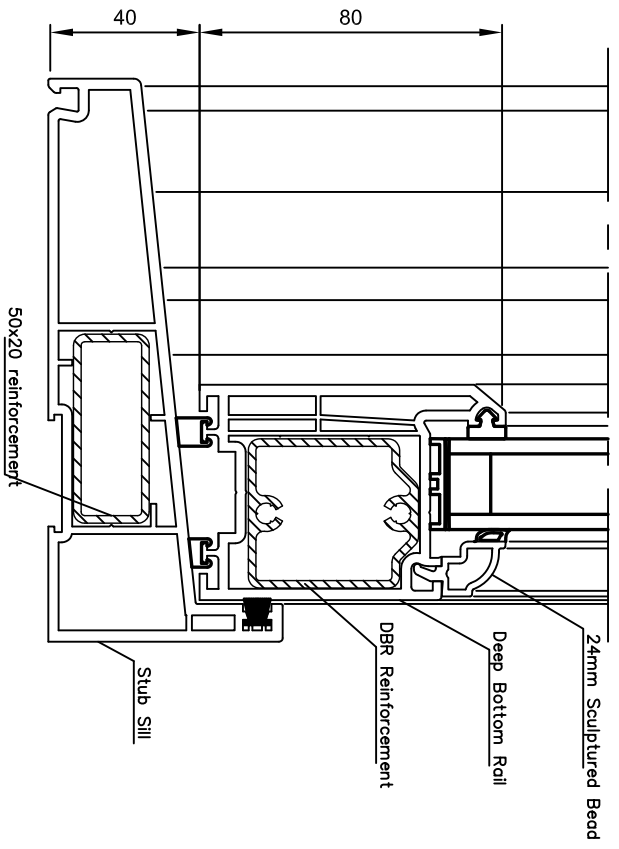
EXISTING TYPICAL WINDOW SECTION
PAINTED SLIDING SASH TIMBER WINDOW
1:20



PROPOSED TYPICAL WINDOW SECTION
POWDER COATED ALUMINIUM SLIDING SASH WINDOW
1:20



TYPICAL ELEVATION WINDOW
1:20



A-A
1:2
PROPOSED TYPICAL WINDOW SECTION

REV	DESCRIPTION	DATE

This drawing is the property of Anstey Horne & Co. Ltd. All rights reserved. This drawing should not be reproduced without permission. Do not scale from this drawing.

CLIENT: EUSTON TRUST LTD

PROJECT TITLE: 54 GOODGE STREET, LONDON W1T4NA

SCHEME REF: BSC 1099

DRAWING TITLE: TYPICAL WINDOW DETAIL

MODELLED BY: DR/MW/BV DATE: 05/01/18 SCALE: A3

DRAWING No: 03 REVISION: