

Investigation Photographs

Project Ref: Kings Cross Bridge Building

Site Name: 14.8217

2.



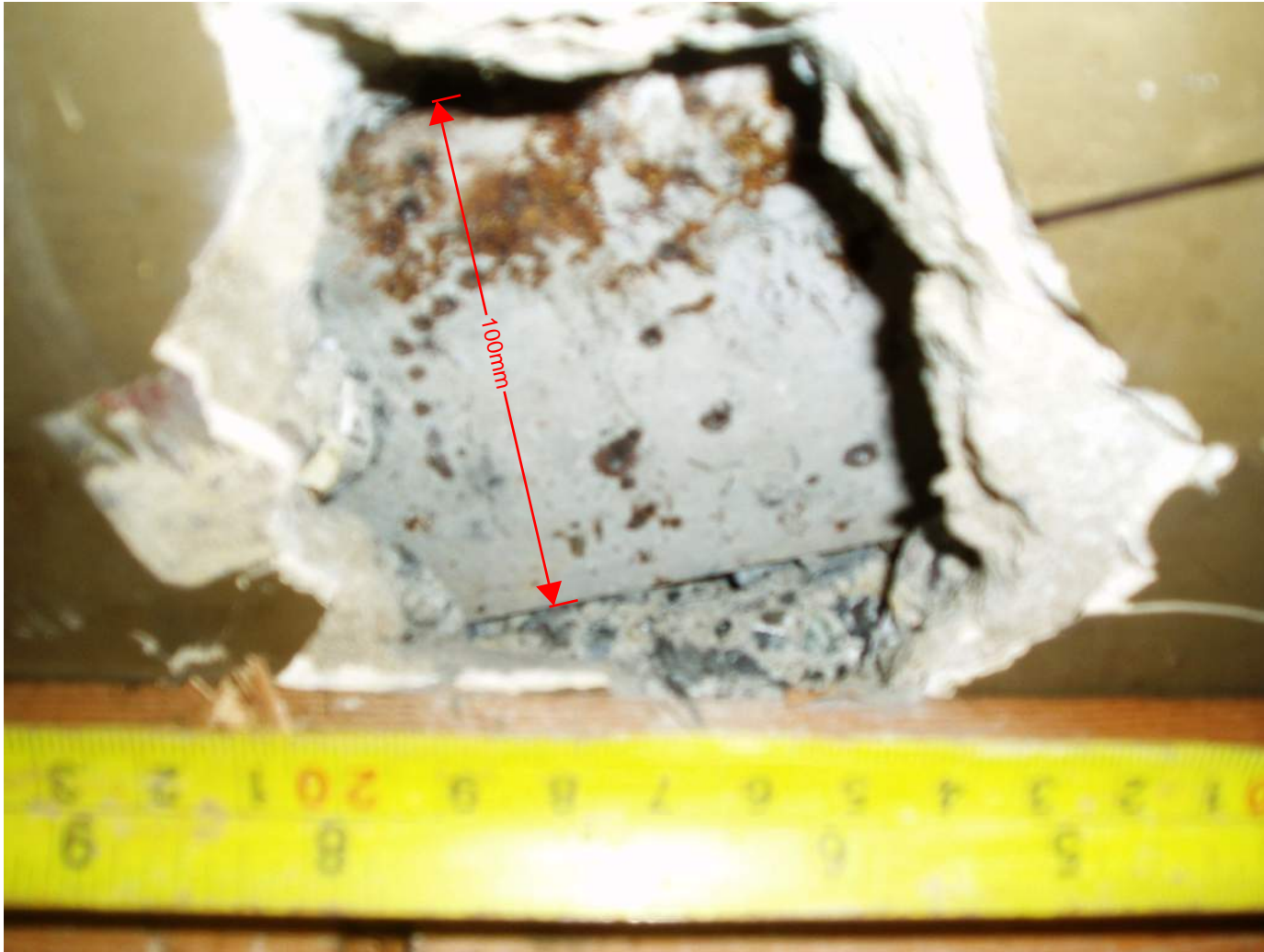
2) S1

Investigation Photographs

Project Ref: Kings Cross Bridge Building

Site Name: 14.8217

3.



3) S1

Investigation Photographs

Project Ref: Kings Cross Bridge Building

Site Name: 14.8217

4.



4) S1

Investigation Photographs

Project Ref: Kings Cross Bridge Building

Site Name: 14.8217

5.



5) S1

Investigation Photographs

Project Ref: Kings Cross Bridge Building

Site Name: 14.8217

6.



6) S1

Investigation Photographs

Project Ref: Kings Cross Bridge Building

Site Name: 14.8217

7.



7) S1

Investigation Photographs

Project Ref: Kings Cross Bridge Building

Site Name: 14.8217

8.



8) S2

Investigation Photographs

Project Ref: Kings Cross Bridge Building

Site Name: 14.8217

9.



9) S2

Investigation Photographs

Project Ref: Kings Cross Bridge Building

Site Name: 14.8217

10.



10) S2

Investigation Photographs

Project Ref: Kings Cross Bridge Building

Site Name: 14.8217

11.



11) S2

Investigation Photographs

Project Ref: Kings Cross Bridge Building

Site Name: 14.8217

12.



12) S3

Investigation Photographs

Project Ref: Kings Cross Bridge Building

Site Name: 14.8217

13.



13) S3

Investigation Photographs

Project Ref: Kings Cross Bridge Building

Site Name: 14.8217

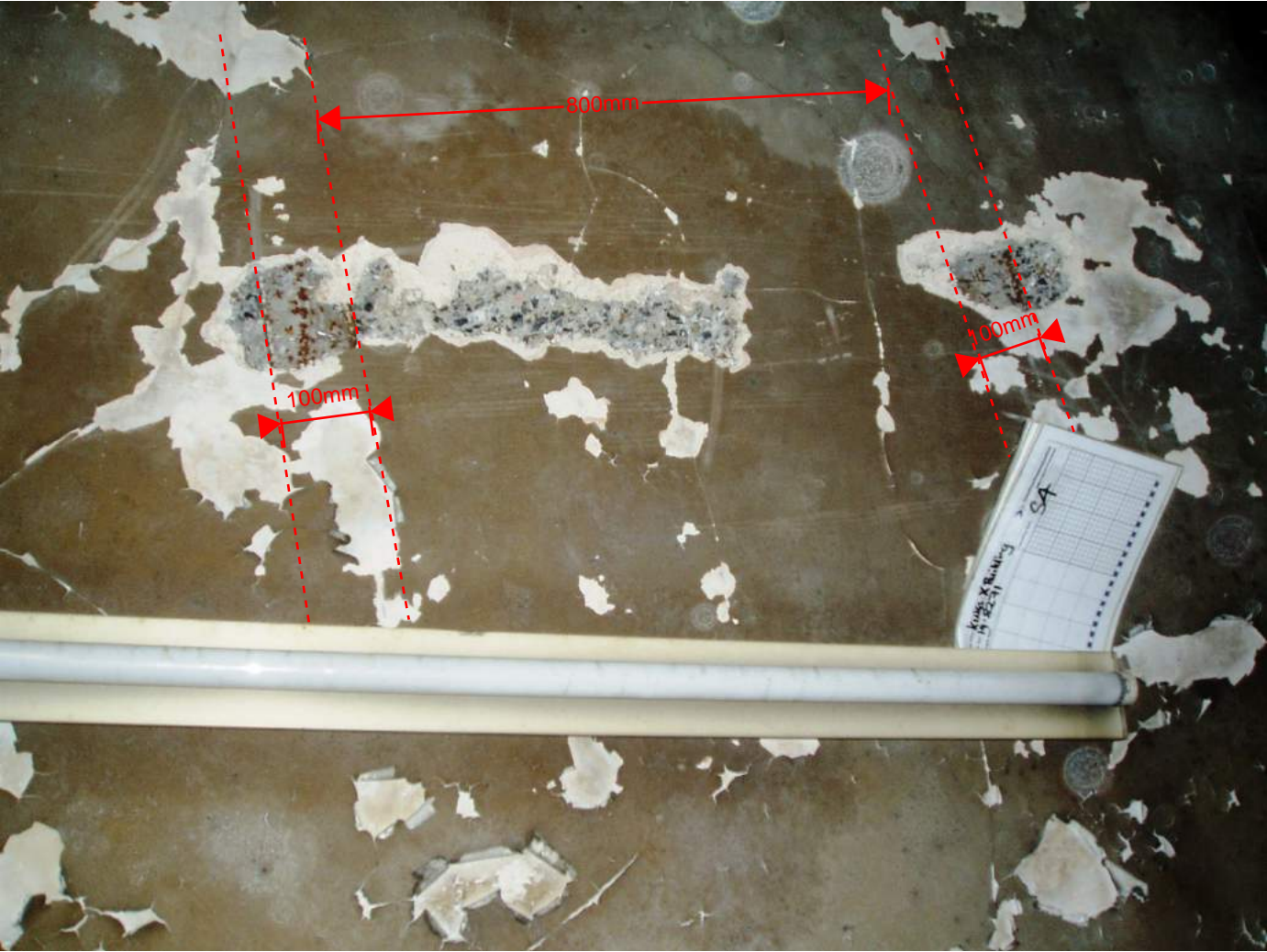
14.

14) S4



Investigation Photographs

15.



15) S4

Investigation Photographs

Project Ref: Kings Cross Bridge Building

Site Name: 14.8217

16.



16) S5

Investigation Photographs

Project Ref: Kings Cross Bridge Building

Site Name: 14.8217

17.



17) S5

Investigation Photographs

Project Ref: Kings Cross Bridge Building

Site Name: 14.8217

18.



18) S5

Investigation Photographs

Project Ref: Kings Cross Bridge Building

Site Name: 14.8217

19.



19) S5

Investigation Photographs

20.



20) S5

Investigation Photographs

Project Ref: Kings Cross Bridge Building

Site Name: 14.8217

21.



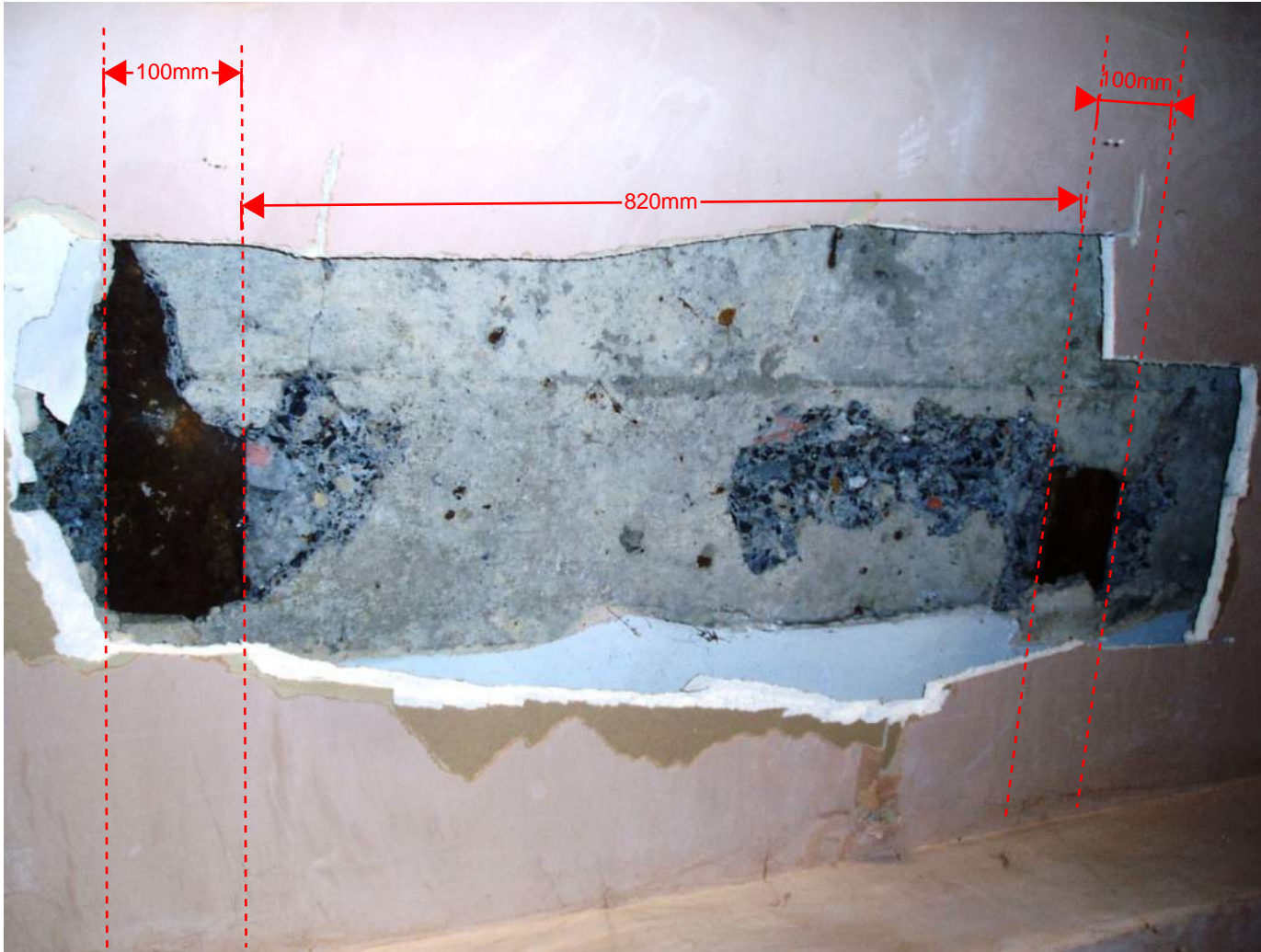
21) S5

Investigation Photographs

Project Ref: Kings Cross Bridge Building

Site Name: 14.8217

22.



22) S6

Investigation Photographs

Project Ref: Kings Cross Bridge Building

Site Name: 14.8217

23.



23) S6

Investigation Photographs

Project Ref: Kings Cross Bridge Building

Site Name: 14.8217

24.



24) S6

Cores
(C01-C04, C11-C14
& C21-C24)

Investigation Photographs

Project Ref: 14.8217
Site Name: Kings Cross Bridge Building

1.



1) C01

Investigation Photographs

Project Ref: 14.8217
Site Name: Kings Cross Bridge Building

2.

2) C02



Investigation Photographs

Project Ref: 14.8217

Site Name: Kings Cross Bridge Building

3.



3) C03

Investigation Photographs

Project Ref: 14.8217

Site Name: Kings Cross Bridge Building

4.



4) C04

Investigation Photographs

Project Ref: 14.8217
Site Name: Kings Cross Bridge Building

5.



5) C11

Investigation Photographs

Project Ref: 14.8217

Site Name: Kings Cross Bridge Building

6.



6) C12

Investigation Photographs

Project Ref: 14.8217
Site Name: Kings Cross Bridge Building

7.



7) C13

Investigation Photographs

Project Ref: 14.8217

Site Name: Kings Cross Bridge Building

8.



8) C14.

Investigation Photographs

Project Ref: 14.8217

Site Name: Kings Cross Bridge Building

9.



10.



- 9) C21 Location
- 10) C21 Core hole
- 11) C21

11.



Investigation Photographs

Project Ref: 14.8217

Site Name: Kings Cross Bridge Building

12.



13.



- 12) C22 location
- 13) C22 Core hole
- 14) C22

14.



Investigation Photographs

Project Ref: 14.8217

Site Name: Kings Cross Bridge Building

15.



16.



- 15) C23 location
- 16) C23 Core hole
- 17) C23

17.



Investigation Photographs

Project Ref: 14.8217
Site Name: Kings Cross Bridge Building

18.



19.



20.



- 18) CC24 Location
- 19) C24 Core hole
- 20) C24

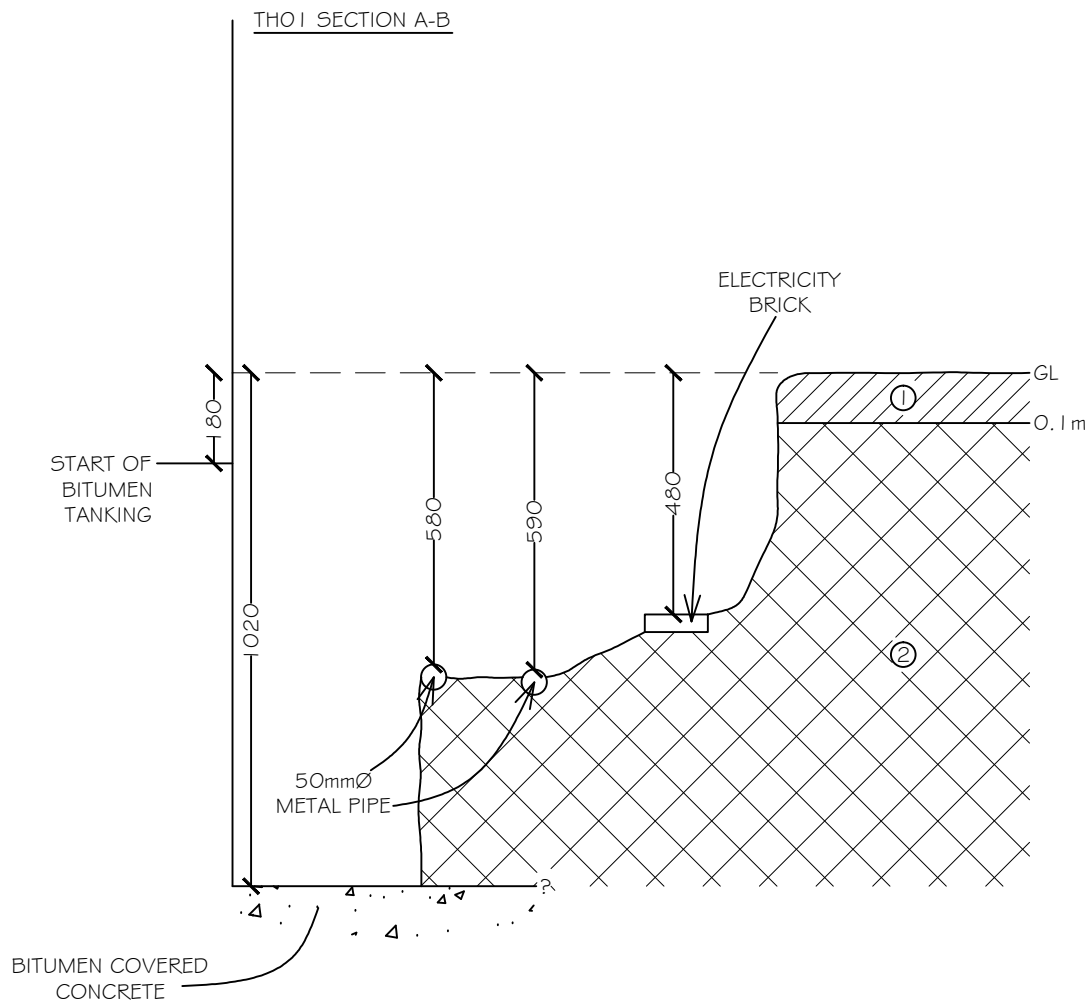
APPENDIX C

Trial Pit Sections, Opening Up Works and Core Details

Trial Pits (TH01-TH06)

NOTES

1. Do not scale from this drawing except for planning purposes. Use figured dimensions only.
2. All dimensions must be checked on site prior to commencement of work.
3. Where applicable this drawing is to be read in conjunction with other consultants drawings.
4. This drawing is the copyright of Constructive Evaluation Ltd.



① = GL-0.10m PAVING SLAB & SHARP SAND BASE

② = 0.10-1.02m BROWN VERY SANDY GRAVEL. SAND IS FINE TO COARSE. GRAVEL IS SUBANGULAR TO SUBROUNDED FINE TO COARSE SIZED FLINT BRICK (MADE GROUND)

rev	date	amendment	check

constructiveevaluation
 Building & Material Test Consultants
 TEL-01243-533499 FAX-01243-531070
 email-info@theconstructivegroup.com

Client.	BALFOUR BEATTY
---------	----------------

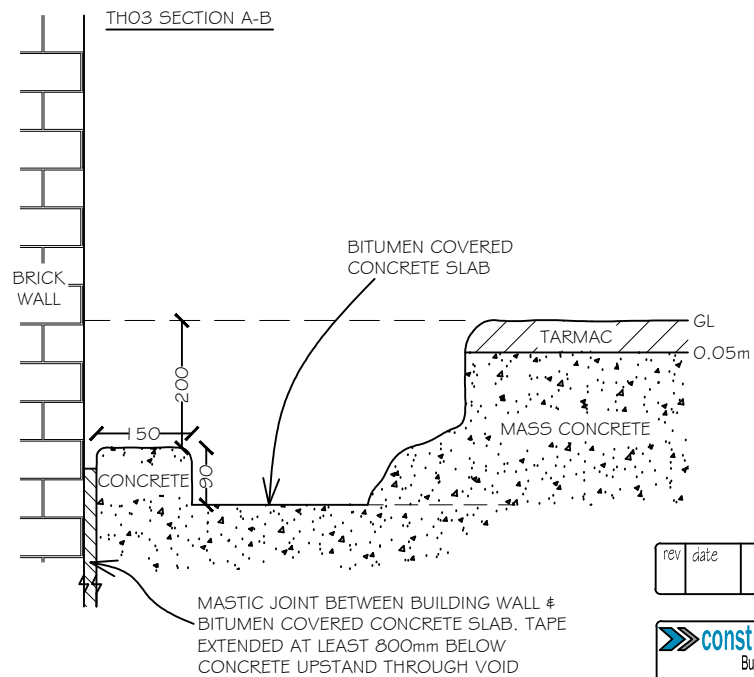
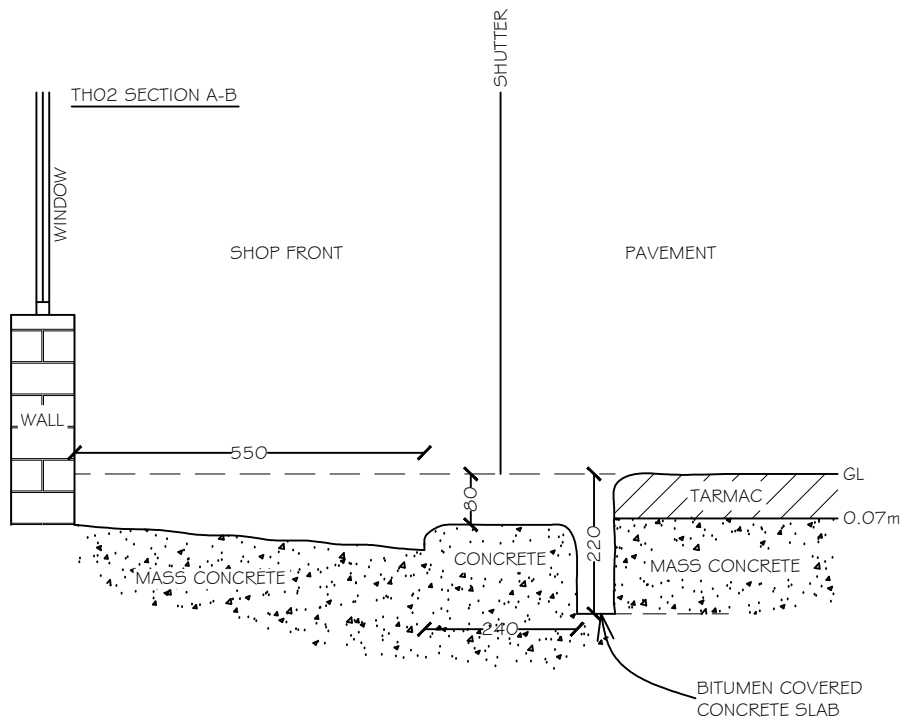
Project.	KINGS CROSS BRIDGE
----------	--------------------

Drawing.	THO1	scale	NTS
----------	------	-------	-----

date	SEPT 14	drawn	D.Y	checked
drawing number	14.8217	revision		

NOTES

1. Do not scale from this drawing except for planning purposes. Use figured dimensions only.
2. All dimensions must be checked on site prior to commencement of work.
3. Where applicable this drawing is to be read in conjunction with other consultants drawings.
4. This drawing is the copyright of Constructive Evaluation Ltd.



rev	date	amendment	check

constructiveevaluation
 Building & Material Test Consultants
 TEL-01243-533499 FAX-01243-531070
 email-info@theconstructivegroup.com

Client. BALFOUR BEATTY

Project. KINGS CROSS BRIDGE

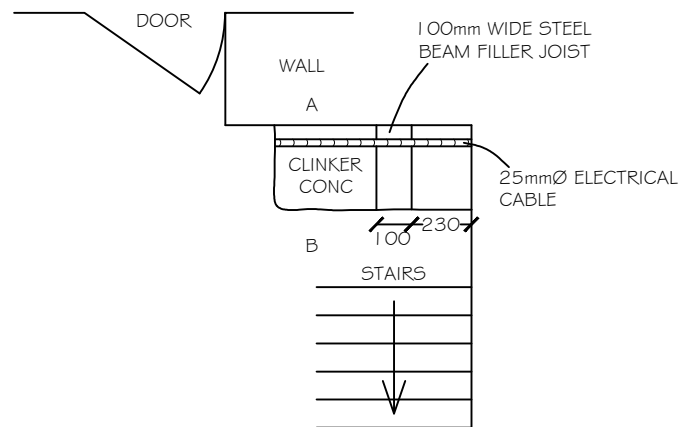
Drawing. THO2 & 03 scale NTS

date SEPT 14 drawn D.Y. checked drawing number 14.8217 revision

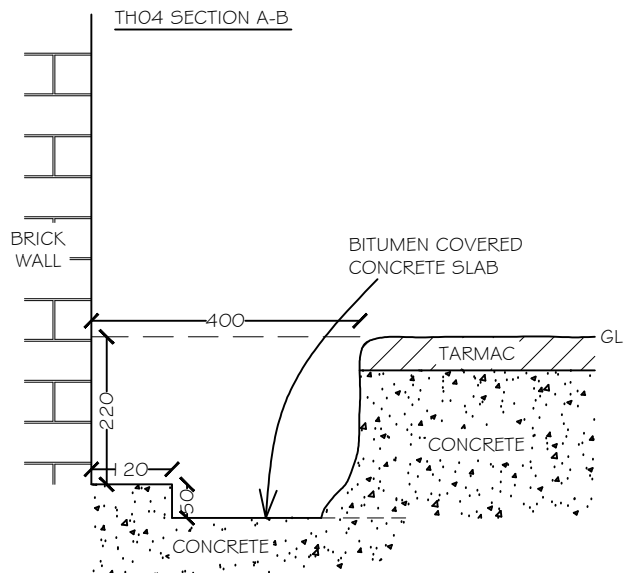
NOTES

1. Do not scale from this drawing except for planning purposes. Use figured dimensions only.
2. All dimensions must be checked on site prior to commencement of work.
3. Where applicable this drawing is to be read in conjunction with other consultants drawings.
4. This drawing is the copyright of Constructive Evaluation Ltd.

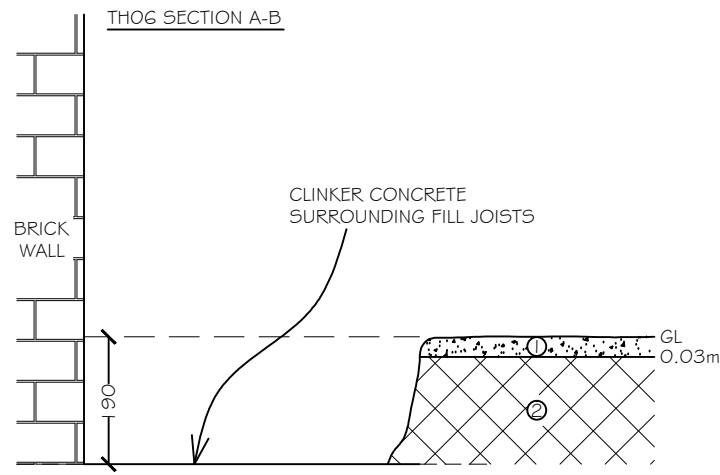
TH06 PLAN



TH04 SECTION A-B



TH06 SECTION A-B



① = GL-0.03m CONCRETE

② = 0.03-0.19m DARK GREY SANDY GRAVEL. SAND IS FINE TO COARSE. GRAVEL IS SUBANGULAR TO SUBROUNDED FINE TO COARSE SIZED CLINKER, FLINT, GLASS, METAL

rev	date	amendment	check

constructiveevaluation
 Building & Material Test Consultants
 TEL-01243-533499 FAX-01243-531070
 email-info@theconstructivegroup.com

Client.	BALFOUR BEATTY
---------	----------------

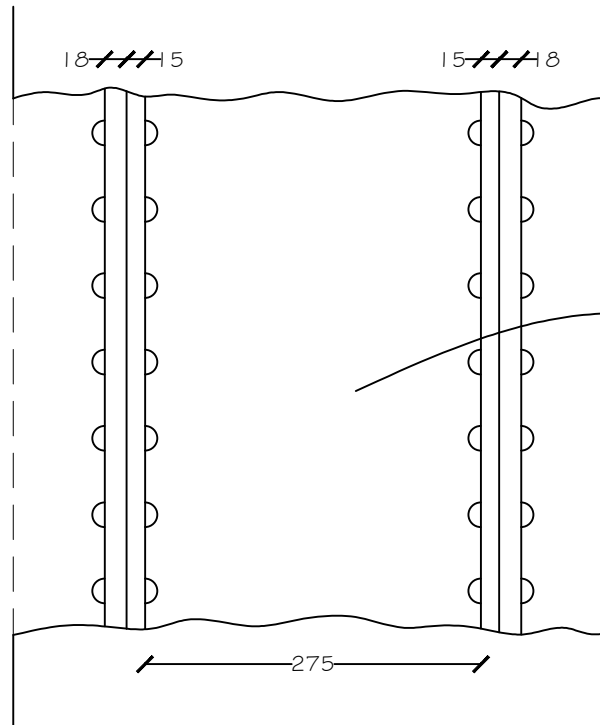
Project.	KINGS CROSS BRIDGE
----------	--------------------

Drawing.	TH04 & 06	scale	NTS
----------	-----------	-------	-----

date	SEPT 14	drawn	D.Y.	checked
drawing number	14.8217	revision		

**Opening Up Works
to Locate Columns
in Wall
(A1-A13)**

A1



WEBB PLATE RECORDED TO BE 14mm THICK USING THICKNESS GAUGE

- NOTES
1. Do not scale from this drawing except for planning purposes. Use figured dimensions only.
 2. All dimensions must be checked on site prior to commencement of work.
 3. Where applicable this drawing is to be read in conjunction with other consultants drawings.
 4. This drawing is the copyright of Constructive Evaluation Ltd.

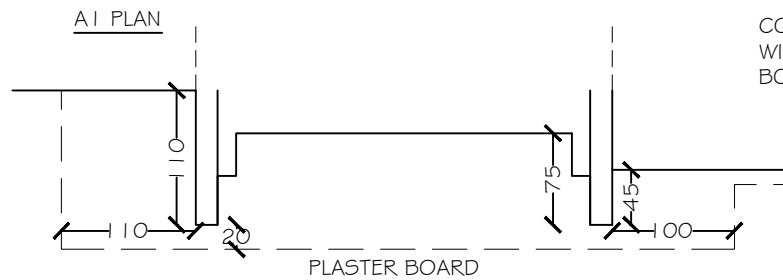
rev	date	amendment	check

constructiveevaluation
 Building & Material Test Consultants
 TEL-01243-533499 FAX-01243-531070
 email-mfo@theconstructivegroup.com

Client. BALFOUR BEATTY

Project. KINGS CROSS BRIDGE

Drawing. A1 scale NTS



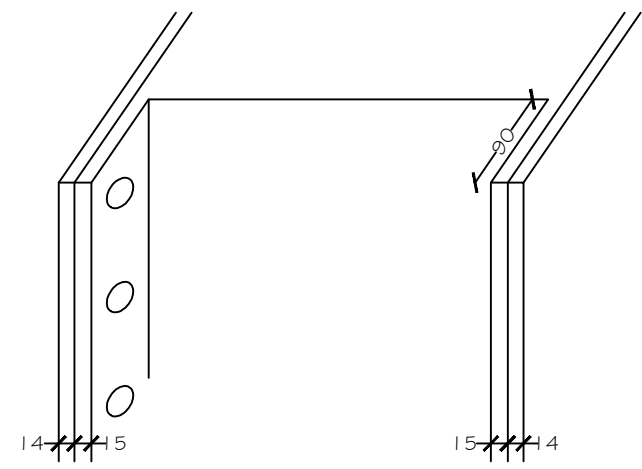
COLUMN SET INTO WALL WITH PLASTER BOARD BOXING SURROUND

date SEPT 14	drawn D.Y.	checked
drawing number 14.8217	revision	

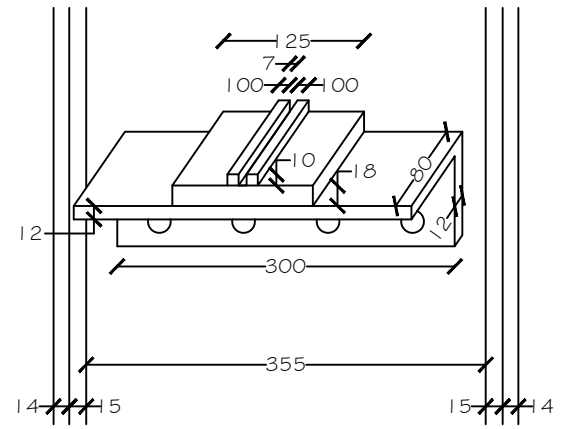
NOTES

1. Do not scale from this drawing except for planning purposes. Use figured dimensions only.
2. All dimensions must be checked on site prior to commencement of work.
3. Where applicable this drawing is to be read in conjunction with other consultants drawings.
4. This drawing is the copyright of Constructive Evaluation Ltd.

A2 SECTION THROUGH COLUMN

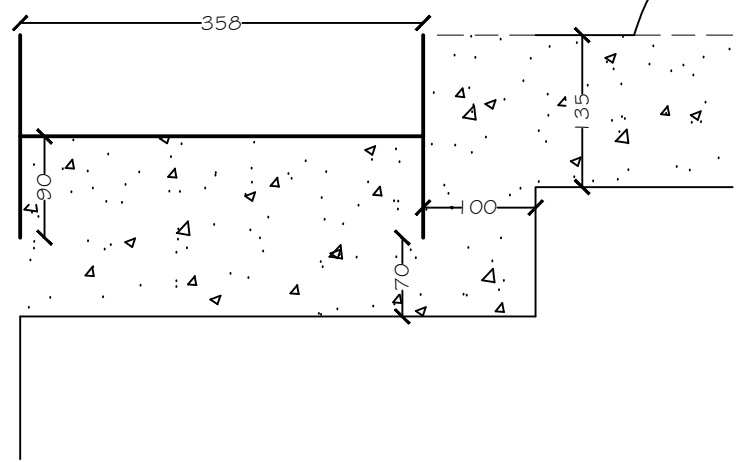


A2



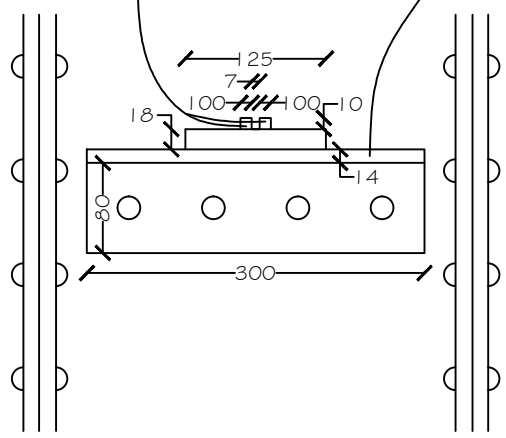
LINE OF POSSIBLE CONNECTING BEAM

A2 PLAN



STEEL FILLER JOISTS

BRACKET



rev	date	amendment	check

constructiveevaluation
 Building & Material Test Consultants
 TEL-01243-533499 FAX-01243-531070
 email-info@theconstructivegroup.com

Client. BALFOUR BEATTY

Project. KINGS CROSS BRIDGE

Drawing. A2 scale NTS

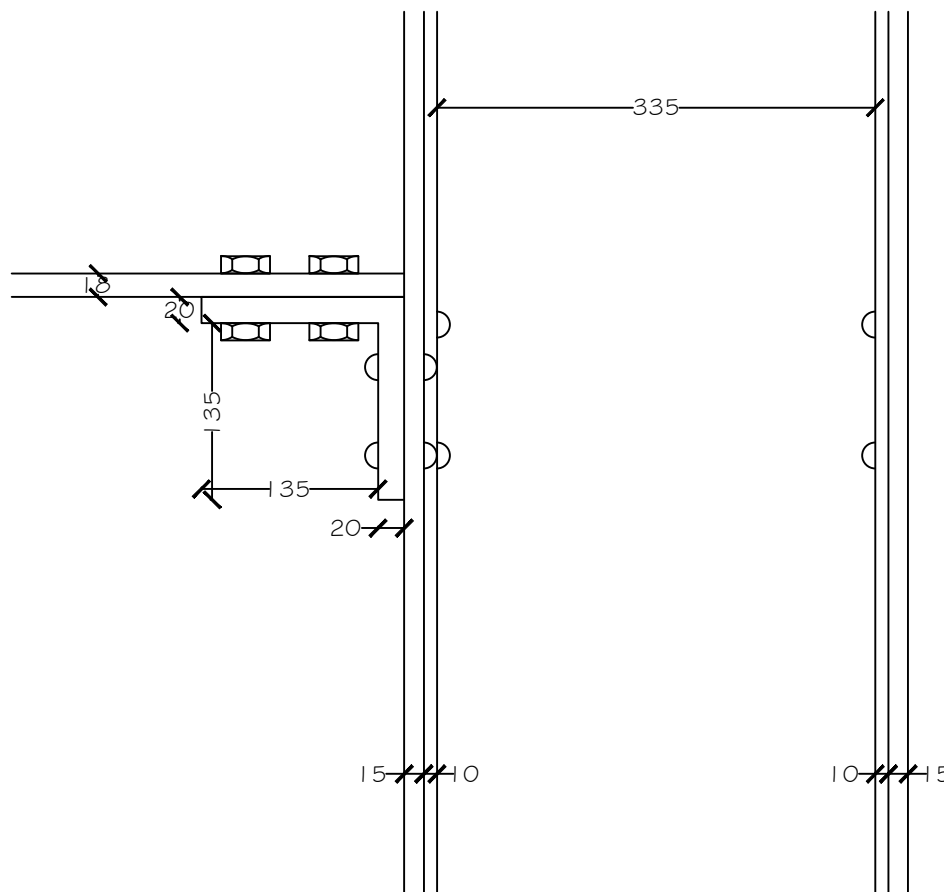
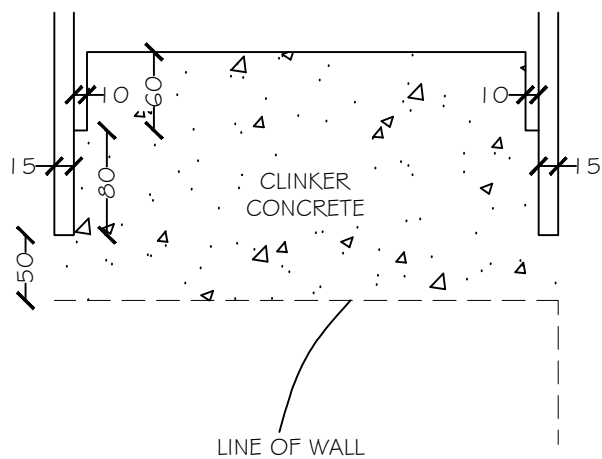
date SEPT 14	drawn D.Y.	checked
drawing number 14.8217	revision	

NOTES

1. Do not scale from this drawing except for planning purposes. Use figured dimensions only.
2. All dimensions must be checked on site prior to commencement of work.
3. Where applicable this drawing is to be read in conjunction with other consultants drawings.
4. This drawing is the copyright of Constructive Evaluation Ltd.

A3 SECTION A-B

A3 PLAN



rev	date	amendment	check

constructiveevaluation
 Building & Material Test Consultants
 TEL-01243-533499 FAX-01243-531070
 email-info@theconstructivegroup.com

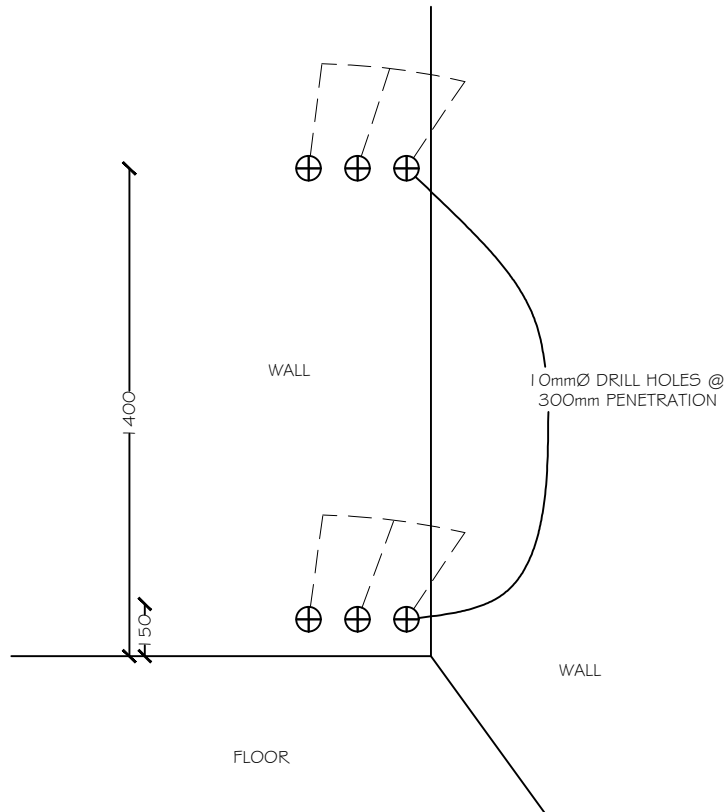
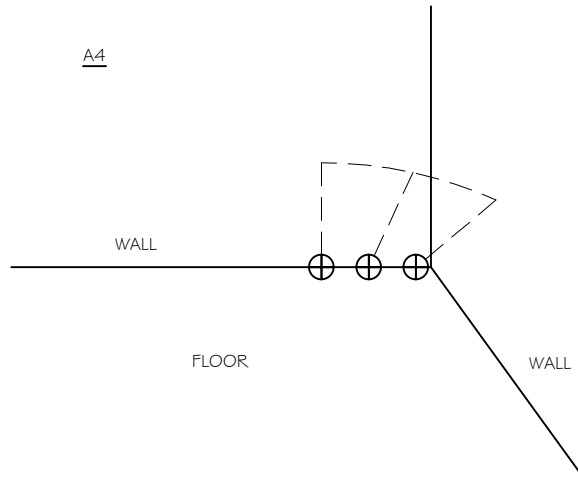
Client.
BALFOUR BEATTY

Project.
KINGS CROSS BRIDGE

Drawing.
A3 scale
NTS

date SEPT 14	drawn D.Y.	checked
drawing number 14.8217	revision	

A4



NOTES

1. Do not scale from this drawing except for planning purposes. Use figured dimensions only.
2. All dimensions must be checked on site prior to commencement of work.
3. Where applicable this drawing is to be read in conjunction with other consultants drawings.
4. This drawing is the copyright of Constructive Evaluation Ltd.

rev	date	amendment	check

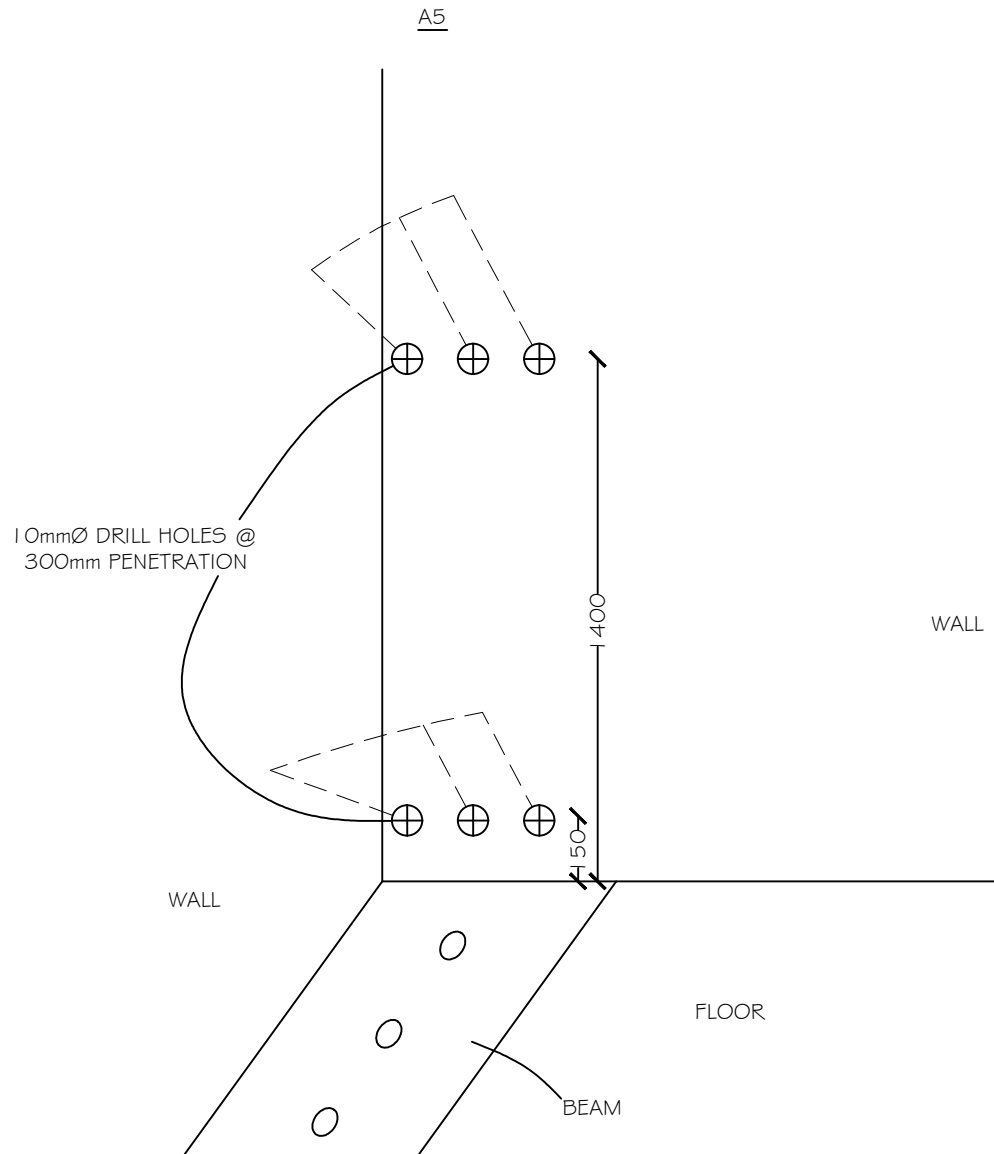
constructiveevaluation
 Building & Material Test Consultants
 TEL-01243-533499 FAX-01243-531070
 email-info@theconstructivegroup.com

Client.
BALFOUR BEATTY

Project.
KINGS CROSS BRIDGE

Drawing.
A4 scale
NTS

date SEPT 14	drawn D.Y	checked
drawing number 14.8217	revision	



NOTES

1. Do not scale from this drawing except for planning purposes. Use figured dimensions only.
2. All dimensions must be checked on site prior to commencement of work.
3. Where applicable this drawing is to be read in conjunction with other consultants drawings.
4. This drawing is the copyright of Constructive Evaluation Ltd.

rev	date	amendment	check

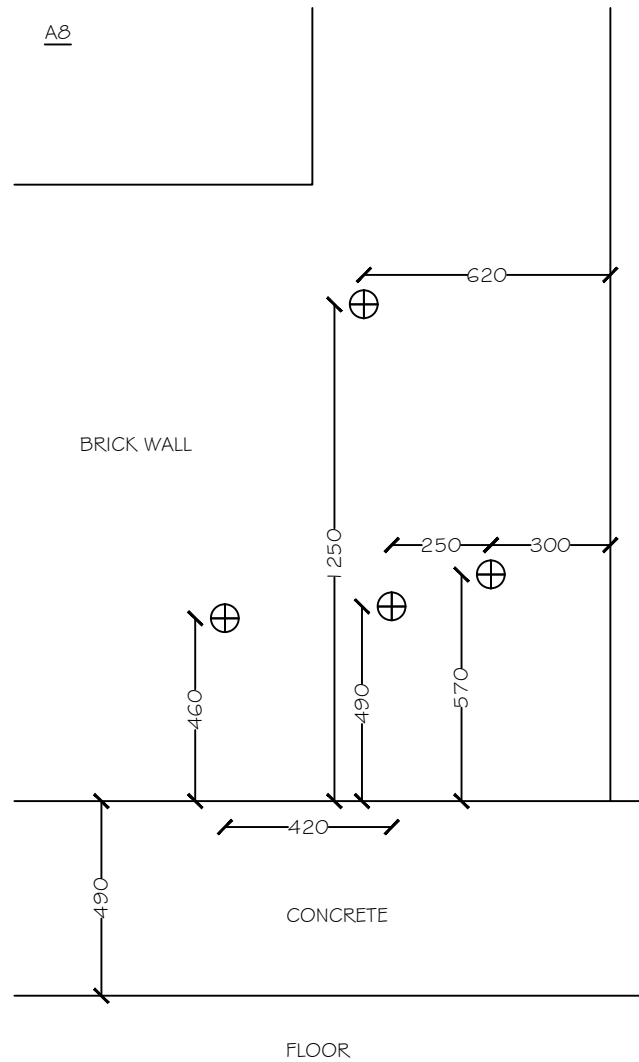
constructiveevaluation
 Building & Material Test Consultants
 TEL-01243-533499 FAX-01243-531070
 email-info@theconstructivegroup.com

Client.	BALFOUR BEATTY
---------	----------------

Project.	KINGS CROSS BRIDGE
----------	--------------------

Drawing.	A5	scale	NTS
----------	----	-------	-----

date	SEPT 14	drawn	D.Y	checked
drawing number	14.8217	revision		



4 NO. 50mmØ TO 300mm DEPTH. NO STEEL, BRICK COLUMN ONLY

NOTES

1. Do not scale from this drawing except for planning purposes. Use figured dimensions only.
2. All dimensions must be checked on site prior to commencement of work.
3. Where applicable this drawing is to be read in conjunction with other consultants drawings.
4. This drawing is the copyright of Constructive Evaluation Ltd.

rev	date	amendment	check

constructiveevaluation
 Building & Material Test Consultants
 TEL-01243-533499 FAX-01243-531070
 email-info@theconstructivegroup.com

Client. BALFOUR BEATTY

Project. KINGS CROSS BRIDGE

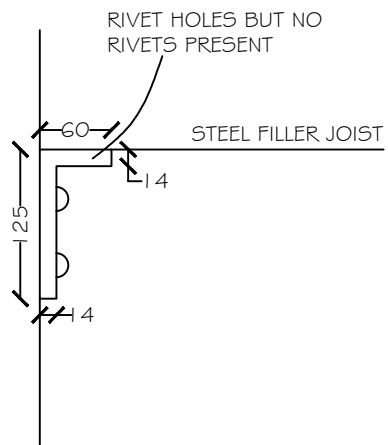
Drawing. A8 scale NTS

date SEPT 14	drawn D.Y	checked
drawing number 14.8217	revision	

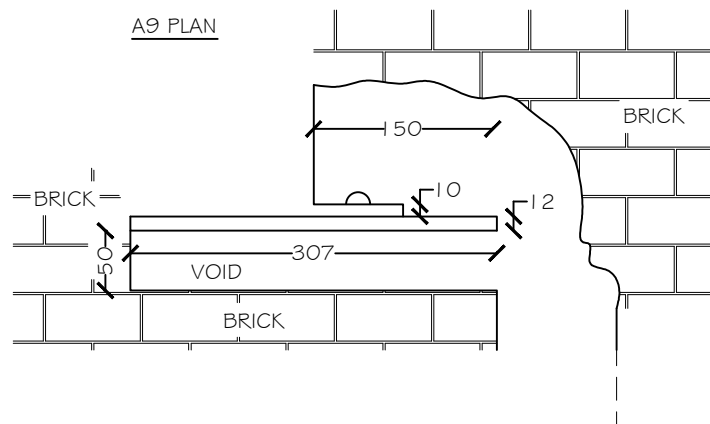
NOTES

1. Do not scale from this drawing except for planning purposes. Use figured dimensions only.
2. All dimensions must be checked on site prior to commencement of work.
3. Where applicable this drawing is to be read in conjunction with other consultants drawings.
4. This drawing is the copyright of Constructive Evaluation Ltd.

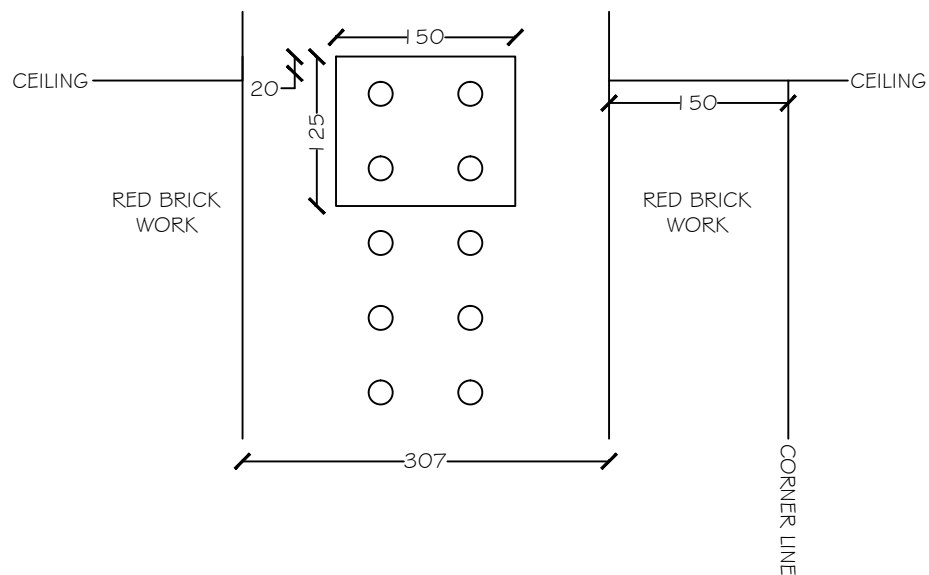
A9 PROFILE



A9 PLAN



A9 FACE ON VIEW



rev	date	amendment	check

constructiveevaluation
 Building & Material Test Consultants
 TEL-01243-533499 FAX-01243-531070
 email-info@theconstructivegroup.com

Client. BALFOUR BEATTY

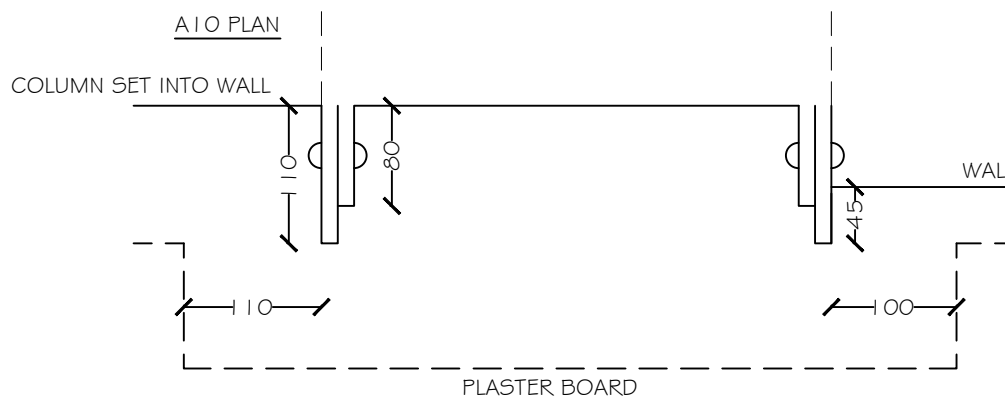
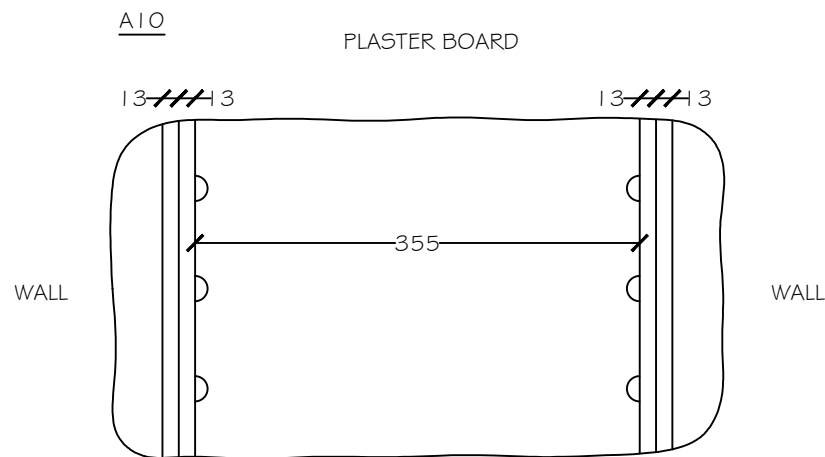
Project. KINGS CROSS BRIDGE

Drawing. A9 scale NTS

date SEPT 14	drawn D.Y.	checked
drawing number 14.8217	revision	

NOTES

1. Do not scale from this drawing except for planning purposes. Use figured dimensions only.
2. All dimensions must be checked on site prior to commencement of work.
3. Where applicable this drawing is to be read in conjunction with other consultants drawings.
4. This drawing is the copyright of Constructive Evaluation Ltd.



rev	date	amendment	check

constructiveevaluation
 Building & Material Test Consultants
 TEL-01243-533499 FAX-01243-531070
 email-info@theconstructivegroup.com

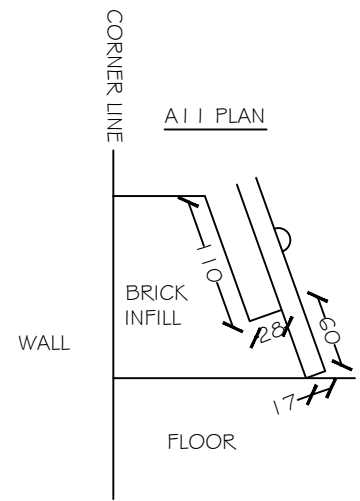
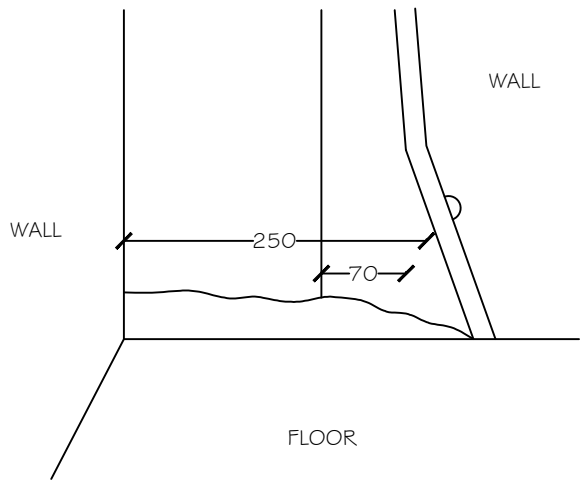
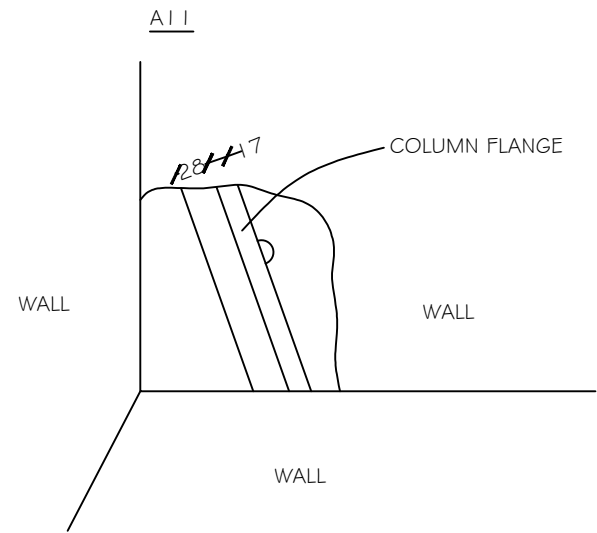
Client.	BALFOUR BEATTY
---------	----------------

Project.	KINGS CROSS BRIDGE
----------	--------------------

Drawing.	A10	scale	NTS
----------	-----	-------	-----

date	SEPT 14	drawn	D.Y	checked
drawing number	14.8217	revision		

- NOTES**
1. Do not scale from this drawing except for planning purposes. Use figured dimensions only.
 2. All dimensions must be checked on site prior to commencement of work.
 3. Where applicable this drawing is to be read in conjunction with other consultants drawings.
 4. This drawing is the copyright of Constructive Evaluation Ltd.



rev	date	amendment	check

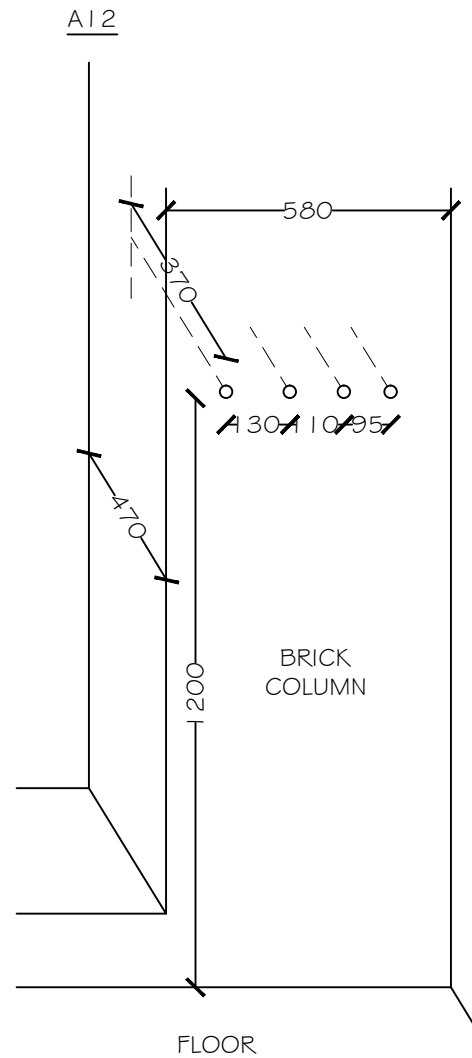
constructiveevaluation
 Building & Material Test Consultants
 TEL-01243-533499 FAX-01243-531070
 email-mfo@theconstructivegroup.com

Client. BALFOUR BEATTY

Project. KINGS CROSS BRIDGE

Drawing. A11 scale NTS

date SEPT 14	drawn D.Y	checked
drawing number 14.8217	revision	



4 NO. 10mmØ PERCUSSIVE DRILL HOLES.
NO STEEL, MASONRY COLUMN ONLY

NOTES

1. Do not scale from this drawing except for planning purposes. Use figured dimensions only.
2. All dimensions must be checked on site prior to commencement of work.
3. Where applicable this drawing is to be read in conjunction with other consultants drawings.
4. This drawing is the copyright of Constructive Evaluation Ltd.

rev	date	amendment	check

constructiveevaluation
Building & Material Test Consultants
TEL-01243-533499 FAX-01243-531070
email-mfo@theconstructivegroup.com

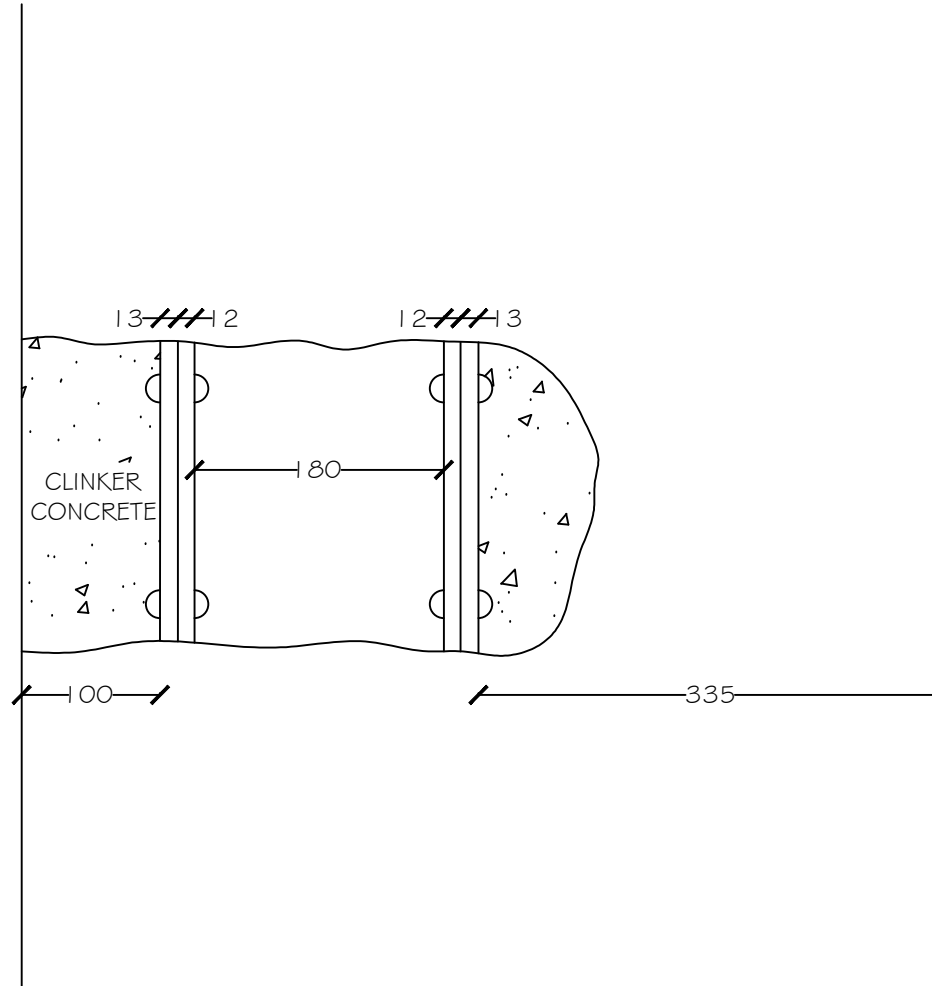
Client.
BALFOUR BEATTY

Project.
KINGS CROSS BRIDGE

Drawing.
A12
scale
NTS

date SEPT 14	drawn D.Y	checked
drawing number 14.8217	revision	

A13



NOTES

1. Do not scale from this drawing except for planning purposes. Use figured dimensions only.
2. All dimensions must be checked on site prior to commencement of work.
3. Where applicable this drawing is to be read in conjunction with other consultants drawings.
4. This drawing is the copyright of Constructive Evaluation Ltd.

rev	date	amendment	check

constructiveevaluation
 Building & Material Test Consultants
 TEL-01243-533499 FAX-01243-531070
 email-info@theconstructivegroup.com

Client.
BALFOUR BEATTY

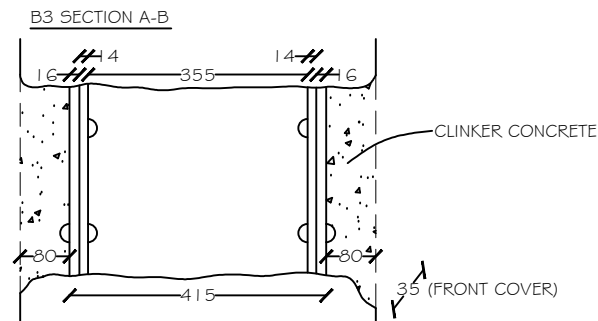
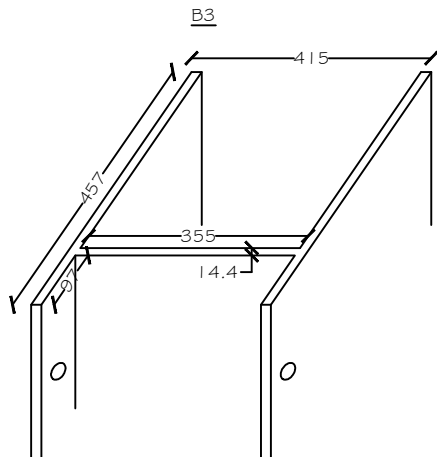
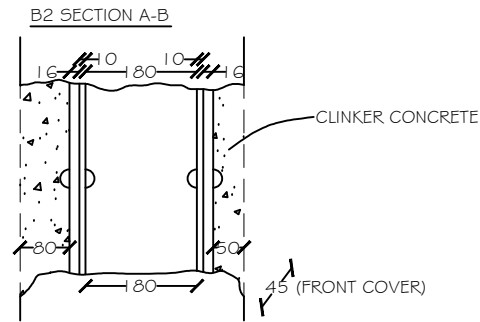
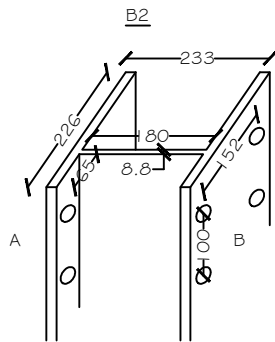
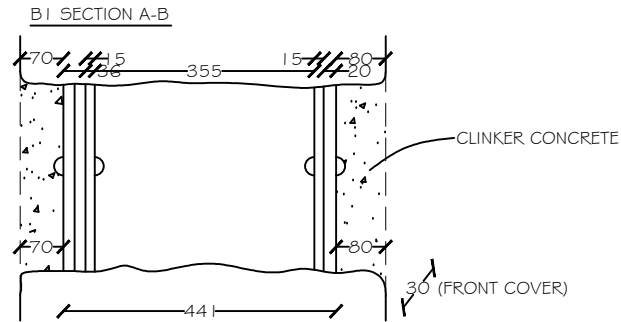
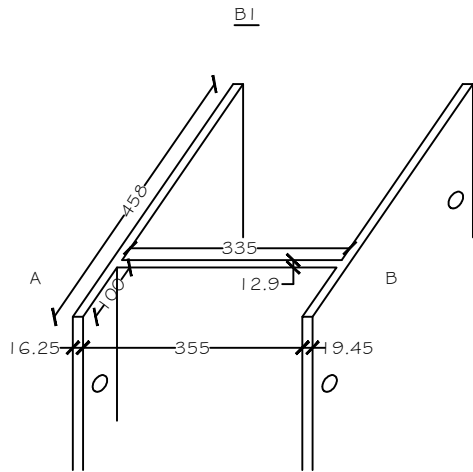
Project.
KINGS CROSS BRIDGE

Drawing.
A13

scale
NTS

date SEPT 14	drawn D.Y.	checked
drawing number 14.8217	revision	

Opening Up Works to Expose Columns (B1-B3)



- NOTES**
1. Do not scale from this drawing except for planning purposes. Use figured dimensions only.
 2. All dimensions must be checked on site prior to commencement of work.
 3. Where applicable this drawing is to be read in conjunction with other consultants drawings.
 4. This drawing is the copyright of Constructive Evaluation Ltd.

rev	date	amendment	check

constructiveevaluation
 Building & Material Test Consultants
 TEL-01243-533499 FAX-01243-531070
 email-info@theconstructivegroup.com

Client. BALFOUR BEATTY

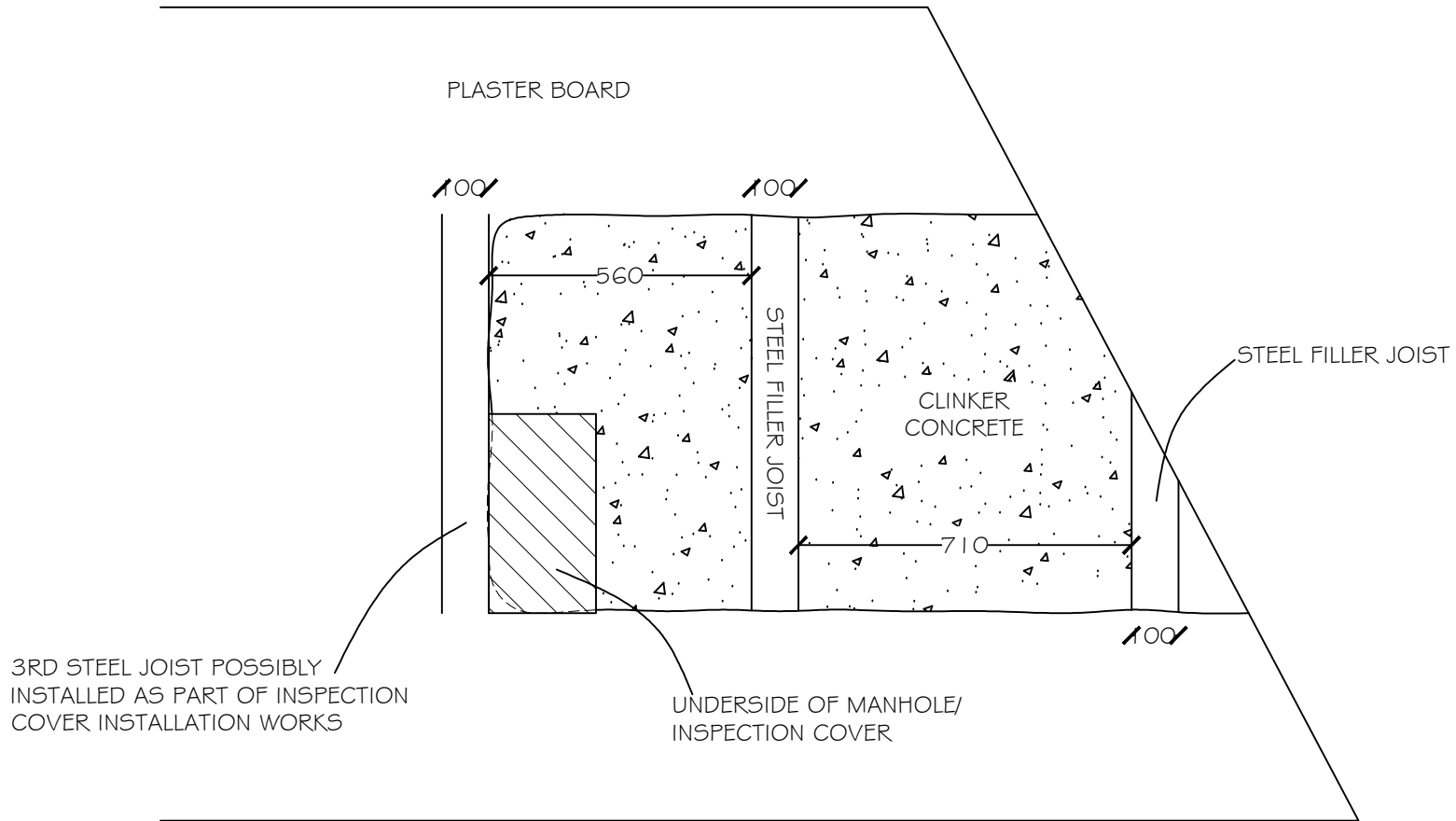
Project. KINGS CROSS BRIDGE

Drawing. B1, B2 & B3 scale NTS

date SEPT 14	drawn D.Y.	checked
drawing number 14.8217	revision	

Opening Up Of Basement Ceilings (S1-S6)

S1



NOTES

1. Do not scale from this drawing except for planning purposes. Use figured dimensions only.
2. All dimensions must be checked on site prior to commencement of work.
3. Where applicable this drawing is to be read in conjunction with other consultants drawings.
4. This drawing is the copyright of Constructive Evaluation Ltd.

rev	date	amendment	check

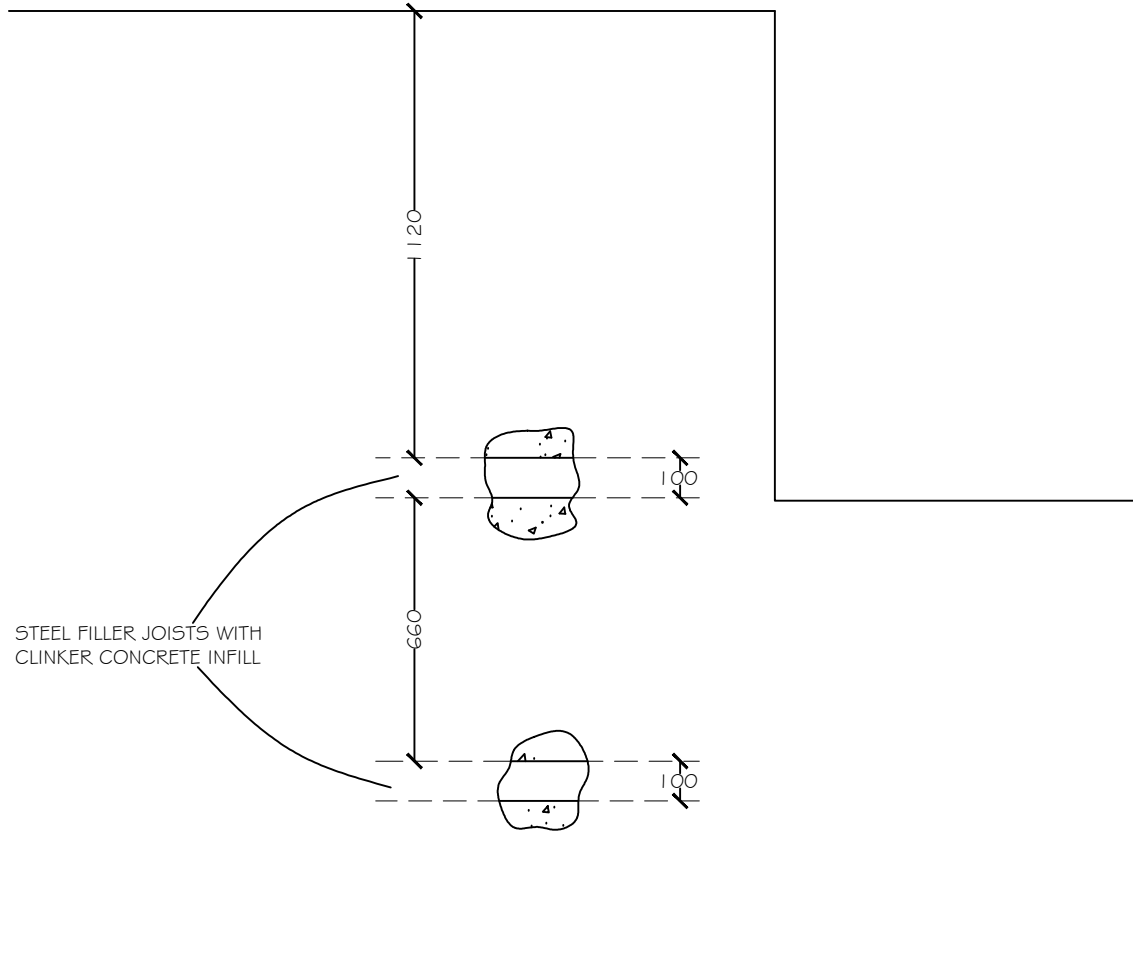
 **constructiveevaluation**
Building & Material Test Consultants
TEL-01243-533499 FAX-01243-531070
email-info@theconstructivegroup.com

Client.	BALFOUR BEATTY
---------	----------------

Project.	KINGS CROSS BRIDGE
----------	--------------------

Drawing.	S1	scale	NTS
----------	----	-------	-----

date	SEPT 14	drawn	D.Y.	checked
drawing number	14.8217	revision		



NOTES

1. Do not scale from this drawing except for planning purposes. Use figured dimensions only.
2. All dimensions must be checked on site prior to commencement of work.
3. Where applicable this drawing is to be read in conjunction with other consultants drawings.
4. This drawing is the copyright of Constructive Evaluation Ltd.

rev	date	amendment	check

constructiveevaluation
 Building & Material Test Consultants
 TEL-01243-533499 FAX-01243-531070
 email-mfo@theconstructivegroup.com

Client. BALFOUR BEATTY

Project. KINGS CROSS BRIDGE

Drawing. S2 scale NTS

date SEPT 14	drawn D.Y.	checked
drawing number 14.8217	revision	