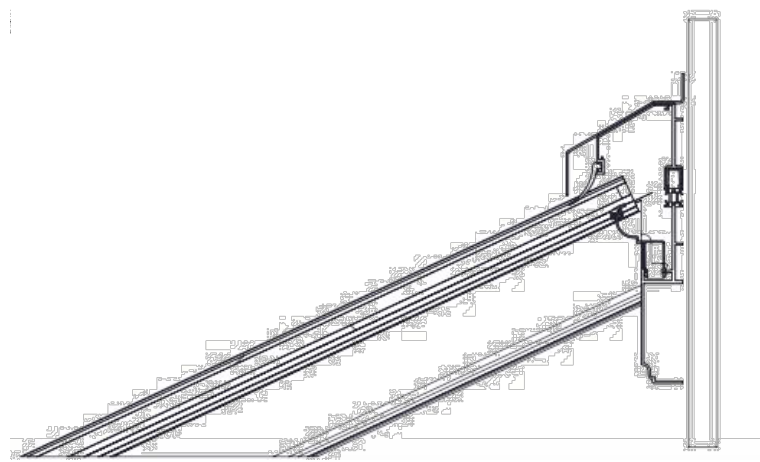
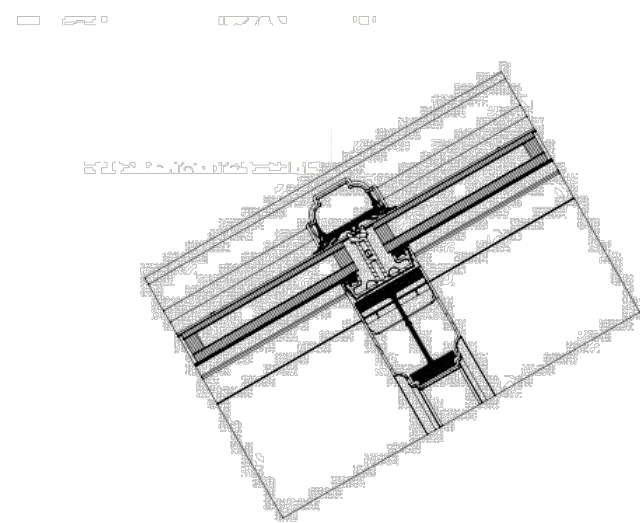


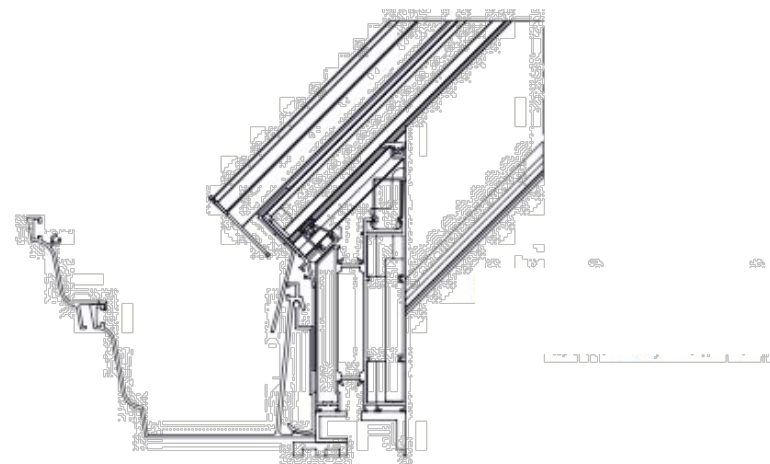
Detail 1: Ridge assembly with tie bars



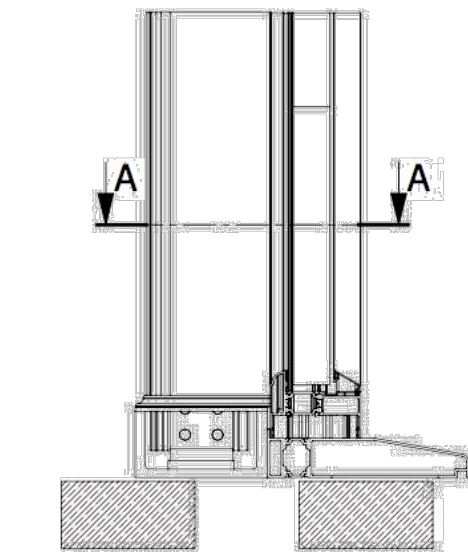
Detail 2: Ridge to wall assembly



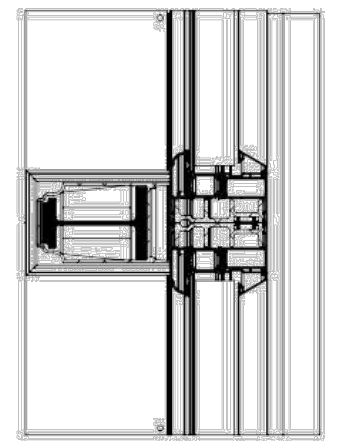
Detail 3: Rafter, roof glass & capping arrangement



Detail 4: Rafter to eaves beam arrangement



Detail 6: Bottom rail & sill arrangement



Detail 5: Section A-A - Mullion & window frames arrangement



15 HOOPERS YARD  
LONDON  
NW6 7EJ  
t : 020 7328 2576  
f : 020 7624 7811  
Email: info@hubarchitects.co.uk

All dimensions are to be checked on site before commencement of works.  
All sizes and dimensions to any structural elements are indicative only. See structural engineer's drawings for actual sizes/dimensions.  
Sizes of and dimensions to any service elements are indicative only. See service engineer's drawings for actual sizes/dimensions.  
This drawing to be read in conjunction with all relevant Architect's drawings, specifications and other consultants' information.  
DO NOT SCALE FROM THIS DRAWING

Rev.	Date.	Description.	Initial.

PLANNING

Project: 1236 - 17 Oakhill Avenue	Drawing: Precedent images & details
Scale: N.T.S.	DWG: 1236 - PL - 103
Date: Jan 2018	Revision: -