

# Heritage 47

## Technical Information

04/17/V1/2.1



everglade  
windows



Available Styles	Fixed window, open out casements
Handle Finishes	<b>Standard handle:</b> White, Black, Silver, Smokey Chrome, Polished Chrome, Gold. <b>Monkey tail handle:</b> Black
Colours	Can be painted in any RAL colour. Dual colour available
Lead Times	10-15 working days (unglazed)
Energy Performance	U value up to 1.1 (w/m²k)
Glazing	<b>Fixed panels</b> are externally glazed unless a dummy sash is used. <b>Sashes</b> are internally glazed

# Heritage 47 Windows



High security multi-point espag lock



Keep plate



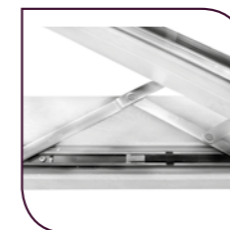
Polyamide thermal break technology for better insulation



Option of Dummy stay arm



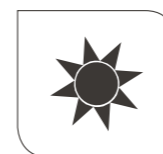
Option of Monkey tail handle



Durable stainless steel easy glide hinge.



Designed to replicate traditional steel windows making this suite ideal for heritage or conservation area projects



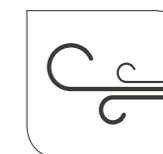
U Value up to 1.1Wm²K



Watertight up to 600 pa



10 year Guarantee



Windload up to 2400 pa



PAS 24 compliant

# Window Options



Available Styles:	Fixed window, open out casements
Glazing:	28mm (double or triple glazed)
Depth of Frame:	47mm
Beading:	External or internal available (style specific)
Standard Handles:	White, Black, Silver, Smokey Chrome, Polished Chrome, Gold.
Monkey Tail Handles:	Black only
Hinges:	Durable stainless steel easy clean hinge, friction, and easy clean fire escape
Locking:	High security reverse espag lock
Colours:	Can be painted any RAL colour. Dual colour available (lead times on request)
Cills:	85mm, 150mm, 190mm, 225mm

## GLAZED ORDERS:

When supplied glazed, windows will be toe and heeled according to system supplier guidance. Should further toe and heeling be required on site, this will be the installers responsibility

## Heritage 47 Overall U-Value (W/m<sup>2</sup>K)

U values may vary by changing material and geometry within frame, glass and spacer system.

### DOUBLE GLAZED

- 1.5 W/m<sup>2</sup>K (using centre pane u value of 1.0 W/m<sup>2</sup>K)
- 1.1 W/m<sup>2</sup>K (using centre pane u value of 0.5 W/m<sup>2</sup>K)

### TRIPLE GLAZED

- 1.2 W/m<sup>2</sup>K (using centre pane u value of 0.6 W/m<sup>2</sup>K)

# Window Hardware



## Espag handle



- » Offset locking espag window handles
- » Available in White, Black, Silver, Smokey Chrome, Polished Chrome, Gold

## Monkey Tail Handle



- » Monkey tail handle for a traditional look
- » Available in Black only

## Dummy Stay



- » To match Monkey tail handle
- » Available in Black only

## Colour Swatch:



# Size Limitations



HINGES - TOP HUNG	MINIMUM HEIGHT (mm)	MAXIMUM HEIGHT (mm)	MAXIMUM WEIGHT (KG)
Frame to Frame	275	1255	32
Frame to Trans/Mull Centre	252	1232	32
Trans/Mull to Trans/Mull (centre to centre)	228	1208	32

SIDE HUNG - STD	MINIMUM WIDTH (mm)	MAXIMUM WIDTH (mm)	MAXIMUM WEIGHT (KG)
Frame to Frame	375	755	24
Frame to Trans/Mull Centre	352	732	24
Trans/Mull to Trans/Mull (centre to centre)	328	708	24

SIDE HUNG - EGRESS	MINIMUM WIDTH (mm)	MAXIMUM WIDTH (mm)	MAXIMUM WEIGHT (KG)
Frame to Frame	375	655	21
Frame to Trans/Mull Centre	352	632	21
Trans/Mull to Trans/Mull (centre to centre)	328	608	21

**Compliance to Fire Escape Regulations is the responsibility of the installer**

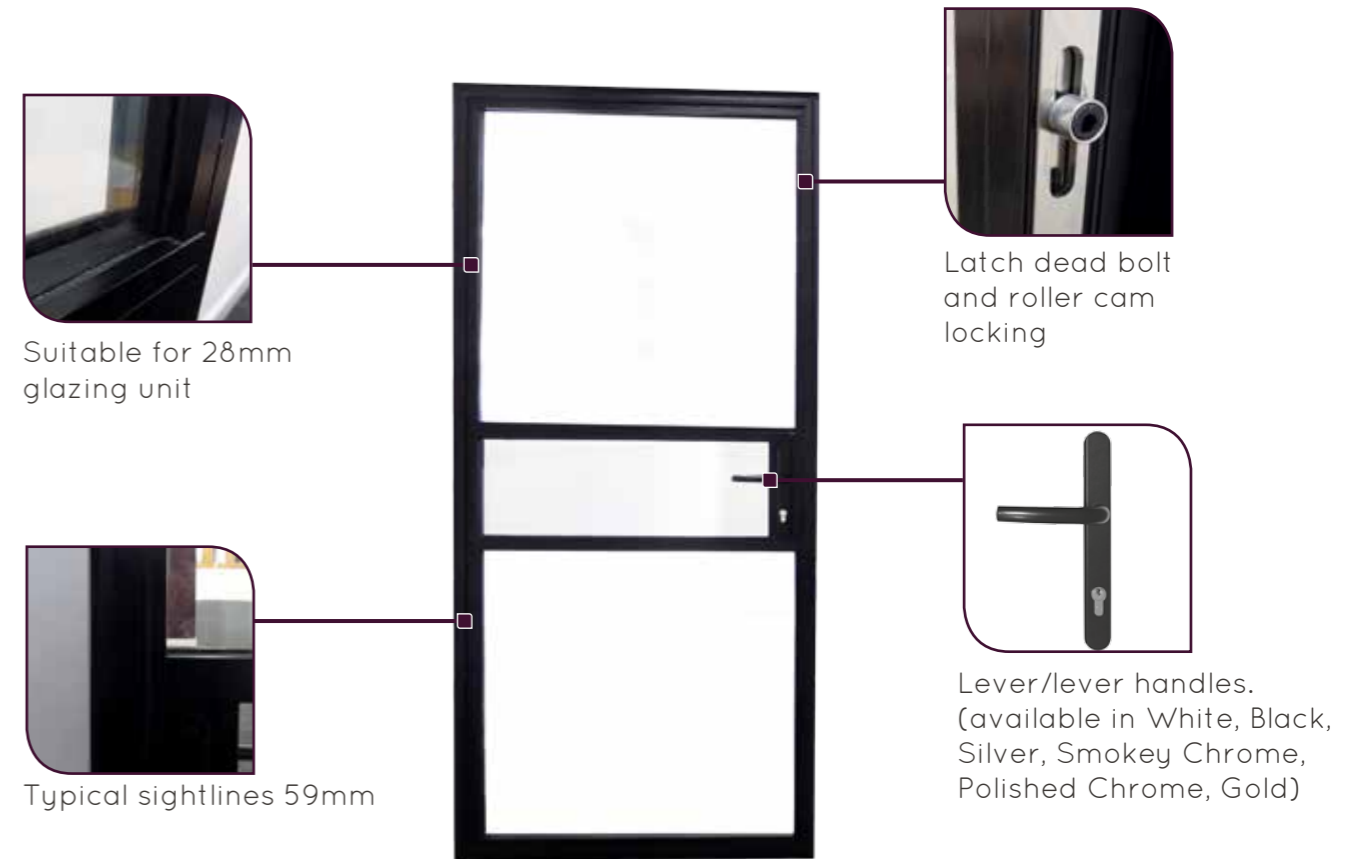
	Minimum Width (for 450mm clear opening) (mm)	Minimum height (for 450mm clear opening) (mm)	
Frame to Frame	600	1400	
Frame to Trans/Mull Centre	590	1400	
Trans/Mull to Trans/Mull (centre to centre)	580	1400	

FIXED FRAME - Crimping	MINIMUM <sup>1</sup> (mm)	MAXIMUM <sup>2</sup> (mm)	
Frame Width	350	2100	
Frame Height	350	2100	

1. Sizes below 350mm can be achieved by using manual screw jointing
2. For sizes above 2100mm, it is advised to split the frame and use a frame coupling

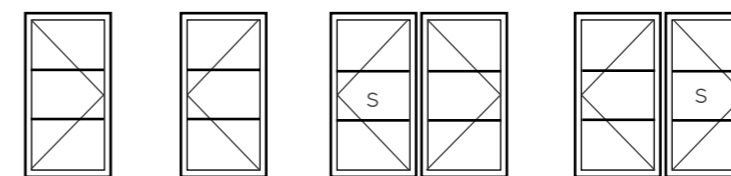


# Heritage 47 Doors



Available Styles	Single door, Double door - (open in or open out)
Handle Finishes	<b>Standard handle:</b> White, Black, Silver, Smokey Chrome, Polished Chrome, Gold.
Hinges	White, Black, RAL
Colours	Can be painted in any RAL colour. Dual colour available
Depth of Frame:	47mm
Lead Times	10-15 working days (unglazed)
Energy Performance	1.2(w/m <sup>2</sup> k) (using 0.5 w/m <sup>2</sup> k glass unit)
Glazing	28mm <b>Sashes</b> are internally glazed

## Door Styles (open in or open out)



## GLAZED ORDERS:

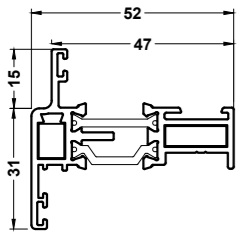
When supplied glazed, doors will be toe and heeled according to system supplier guidance. Should further toe and heeling be required on site, this will be the installers responsibility

Size Limits	MINIMUM (mm)	MAXIMUM (mm)	Max Weight
Width	600	900	60kg
Height	1000	2100	

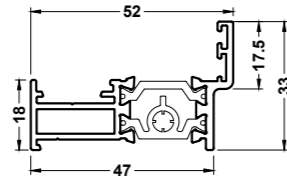
# Section Drawings



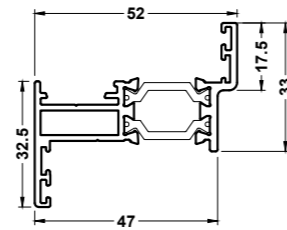
W20025 Sash



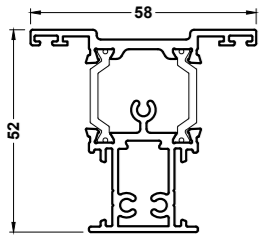
W20015 Outer Frame



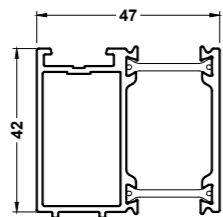
W20016 Odd leg Outer Frame



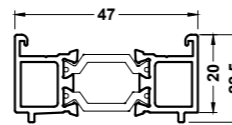
W20034 Transom/ Mullion



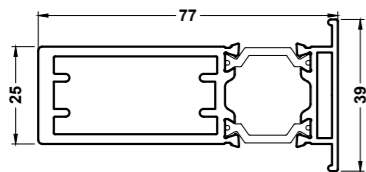
ETD058 42mm Add On



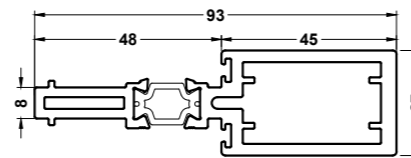
ETD056 20mm Add On



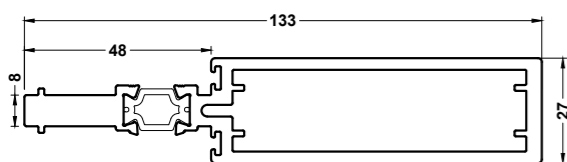
ETC517 Coupling Mullion



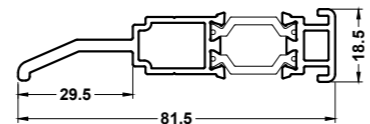
W20051 Coupling Mullion



W20054 Coupling Mullion



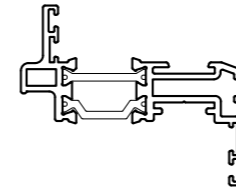
W20485 Horizontal Coupler with Drip Be



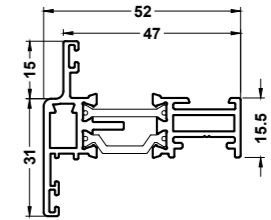
# Section Drawings



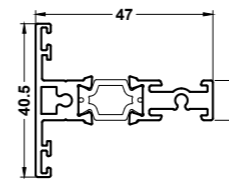
W20125 Open In Door Sash



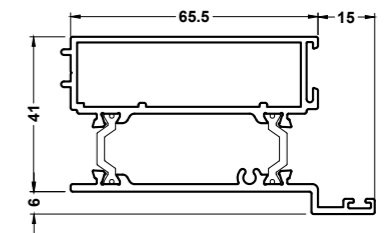
W20027 Door Sash Open Out



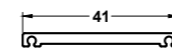
W20037 Door Transom



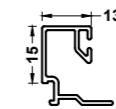
W20038 Door Lock Housing



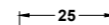
W20166 41mm Astragal Bar



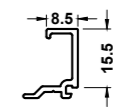
ETC371 Square Bead 28mm Glazing



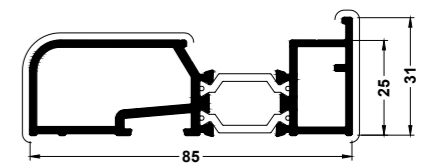
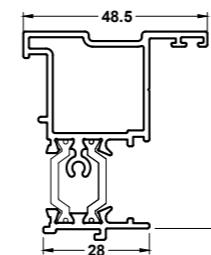
W20165 25mm Astragal Bar



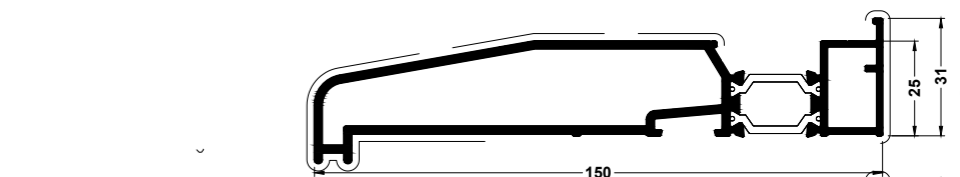
W20170 28mm Internal Bead



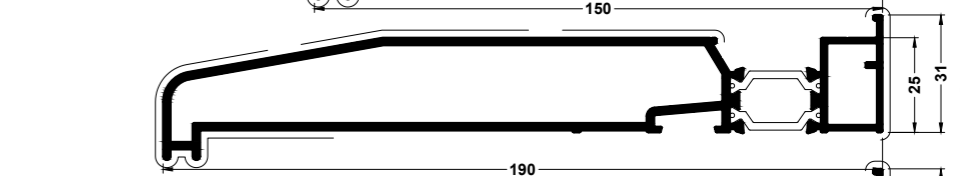
W20048 Meeting Stile



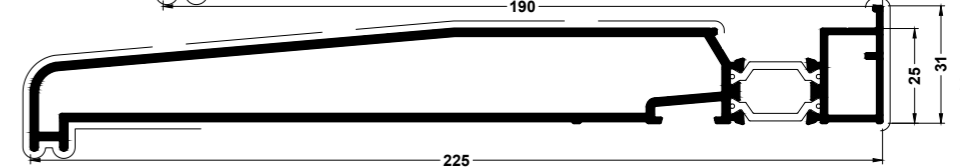
ETC451  
85mm Cill



ETC457  
150mm Cill

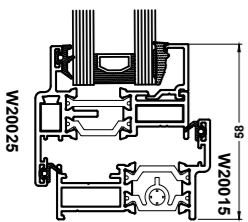
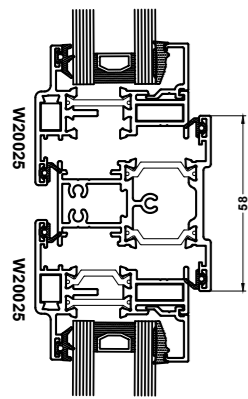
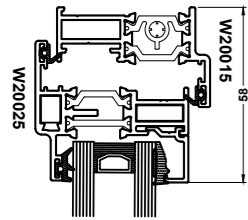
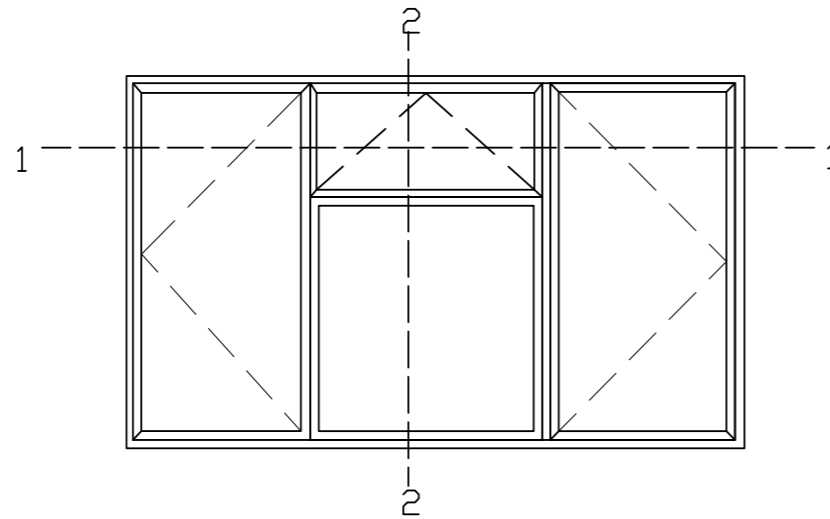


ETC458  
190mm Cill

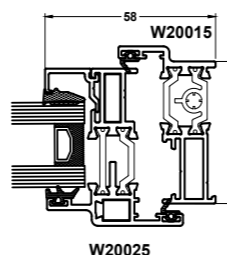
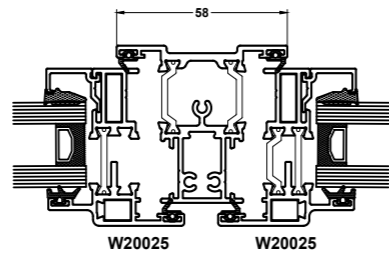
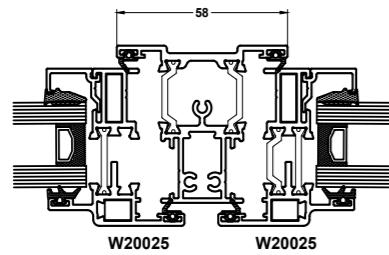
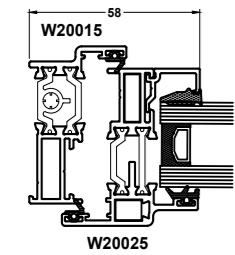


ETC479  
225mm Cill

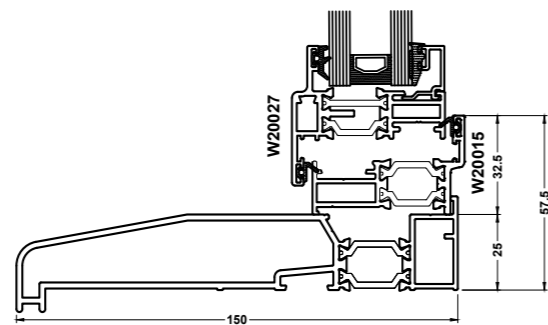
# Section Drawings



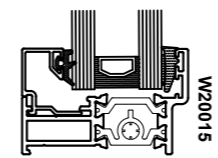
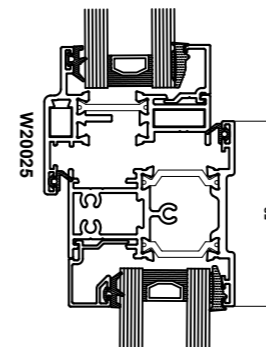
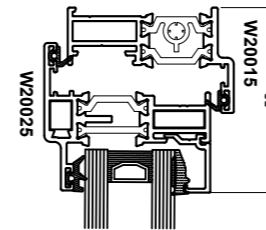
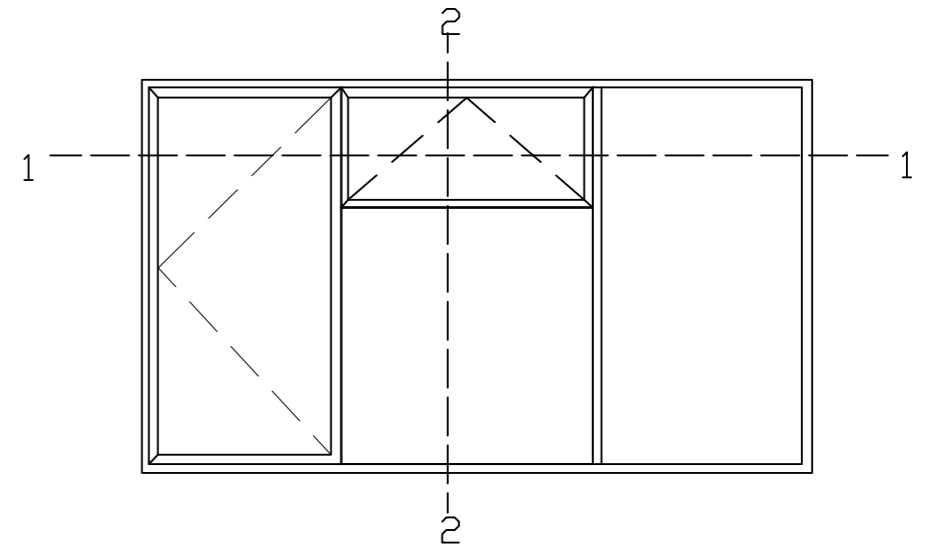
Section at 2 - 2



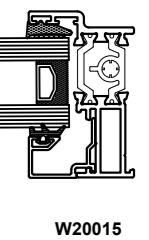
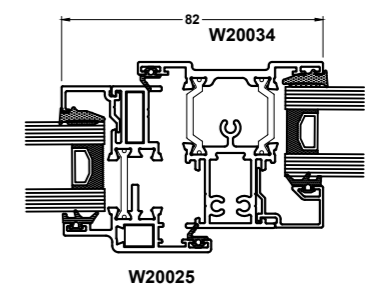
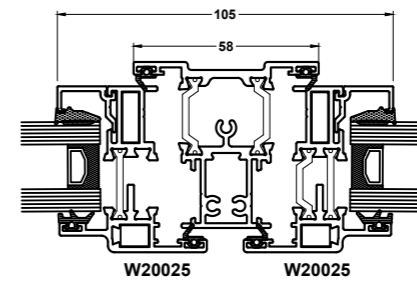
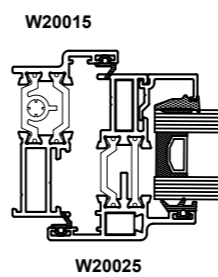
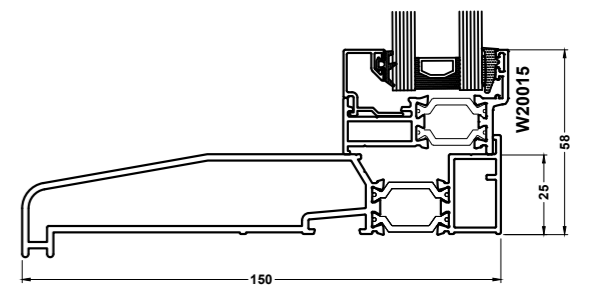
Section at 1 - 1



# Section Drawings



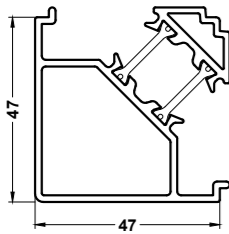
Section at 2 - 2



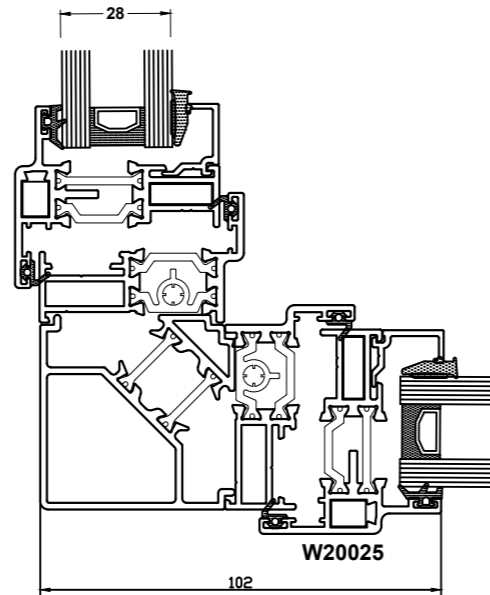
Section at 1 - 1



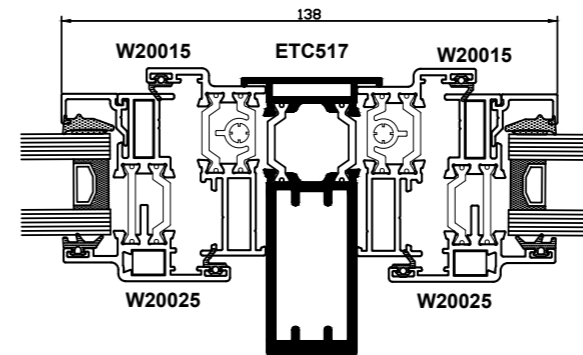
ETC047 90° Corner Post



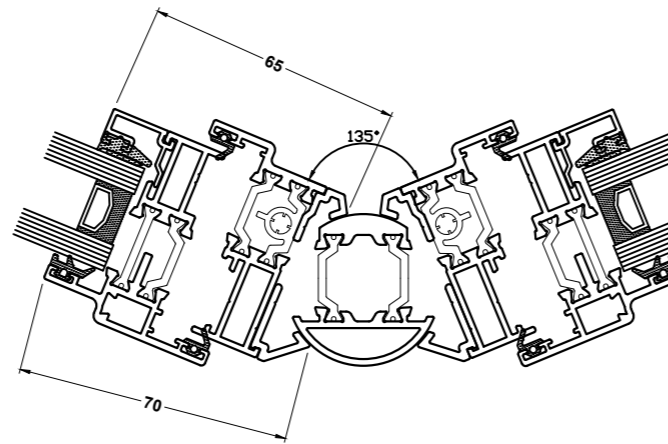
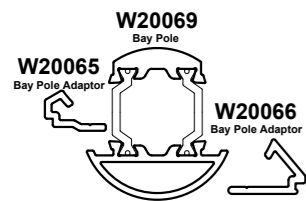
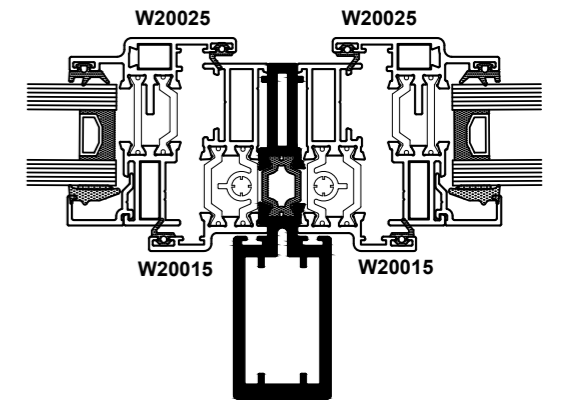
90° Corner Detail



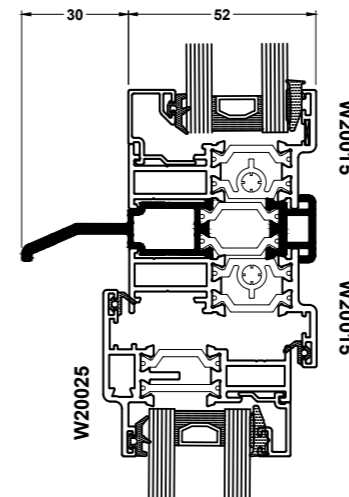
ETC517 Coupling Detail



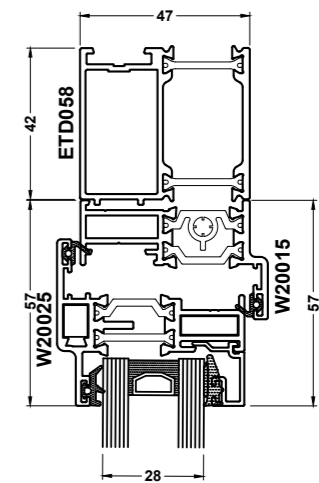
Coupling Detail



Variable Baypole Detail

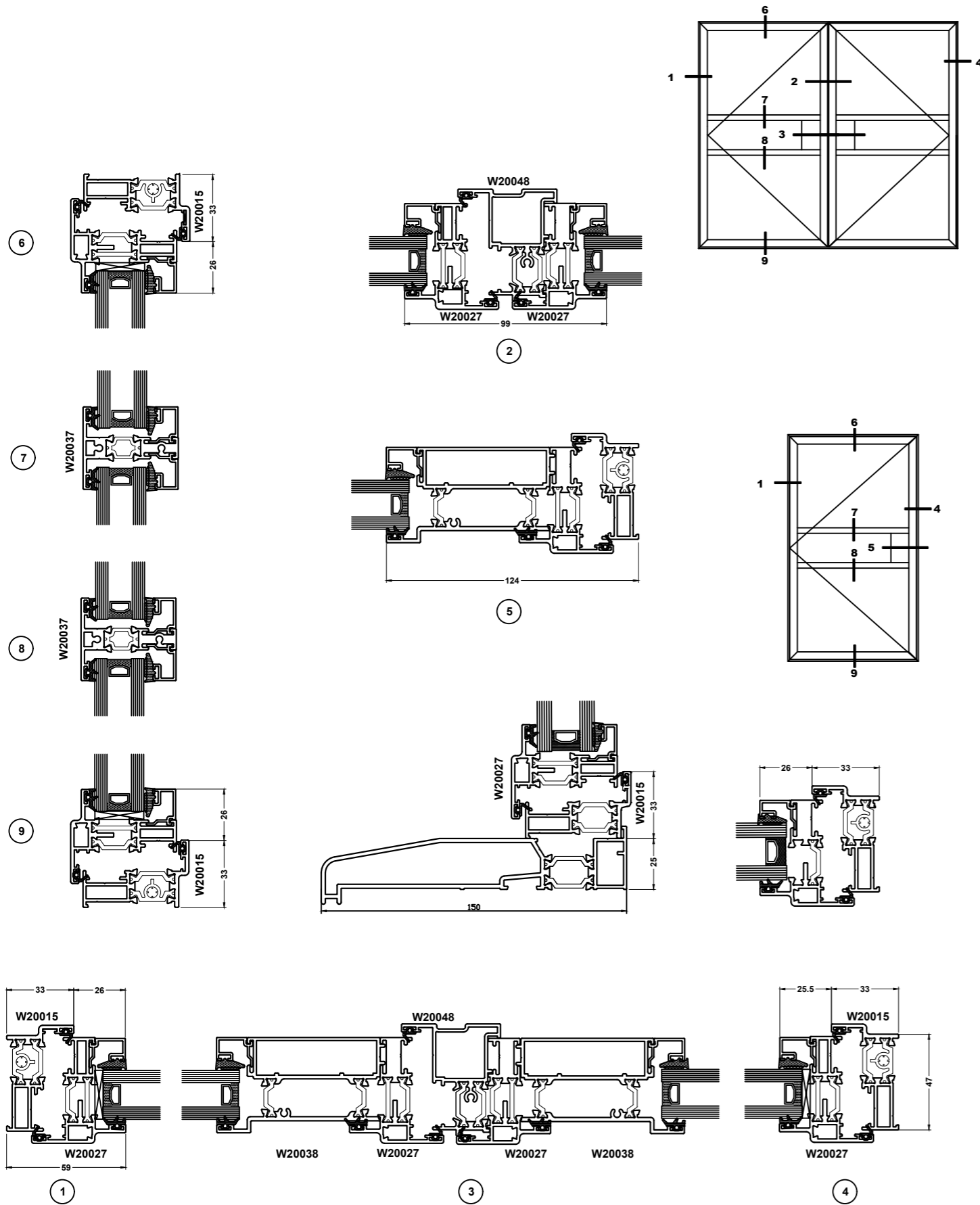


Add On Detail





# Section Drawings



# Heritage 47

## Technical Information

unglazed 04/17/V1/2.1



everglade  
windows