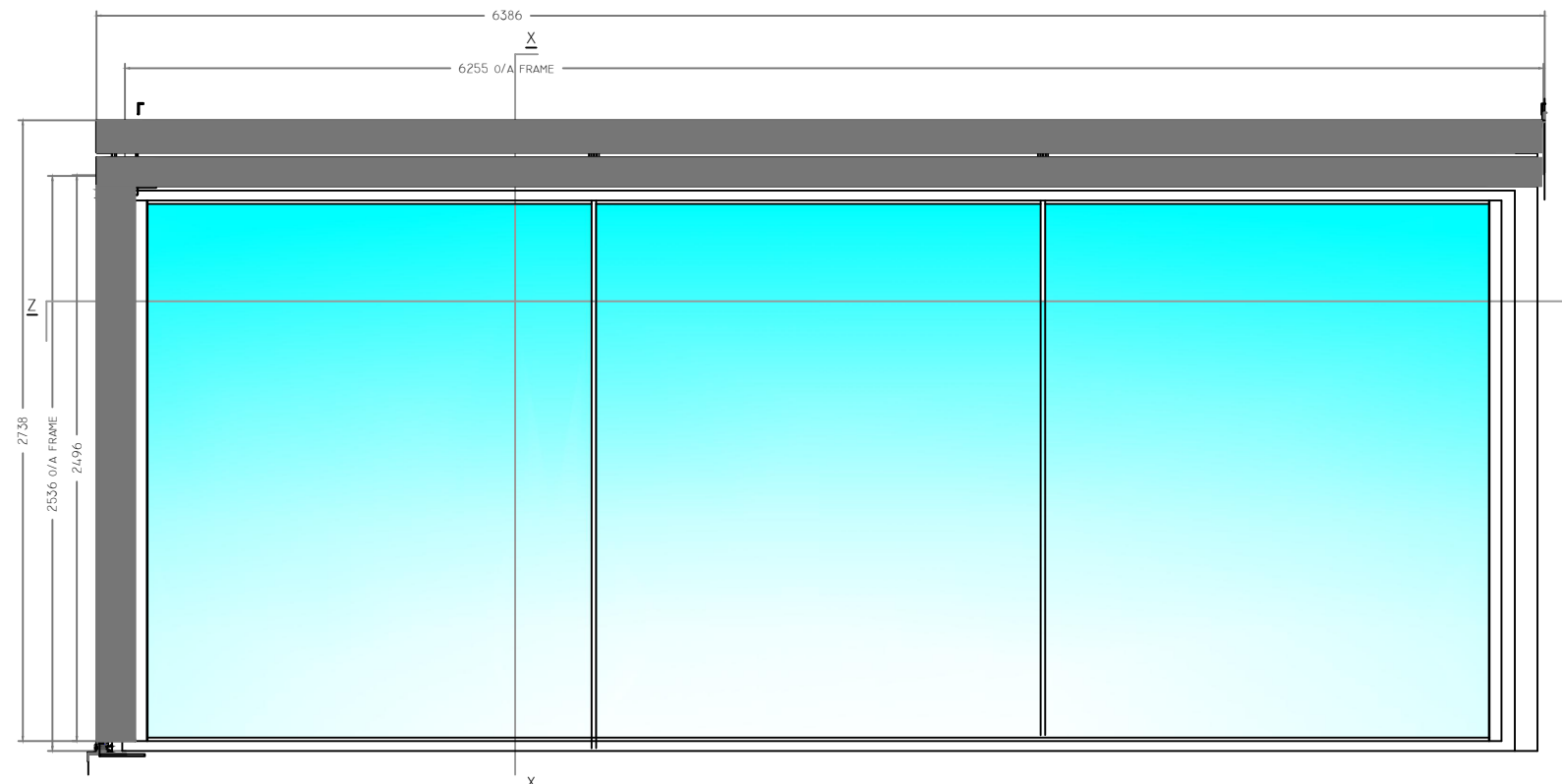
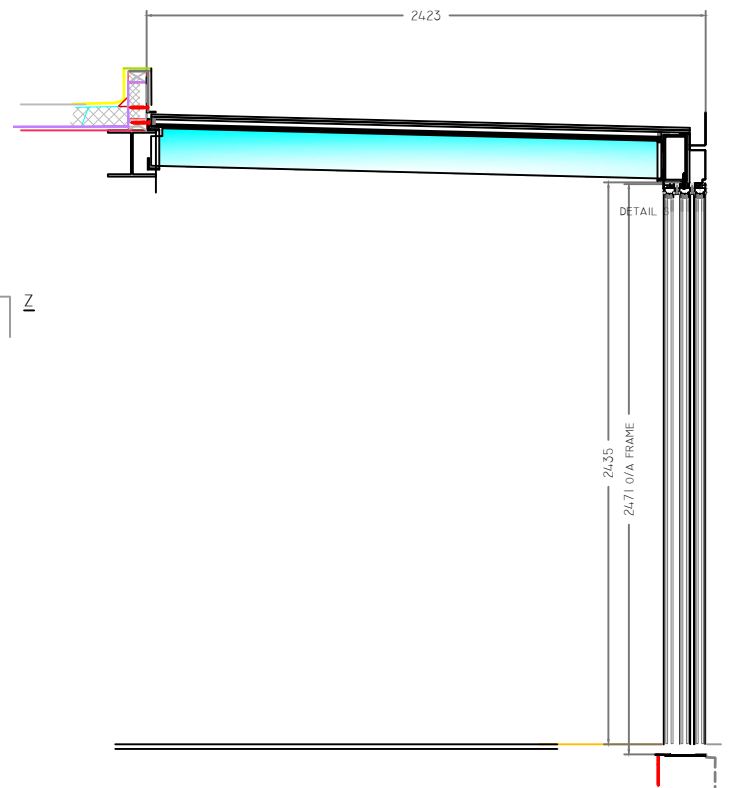


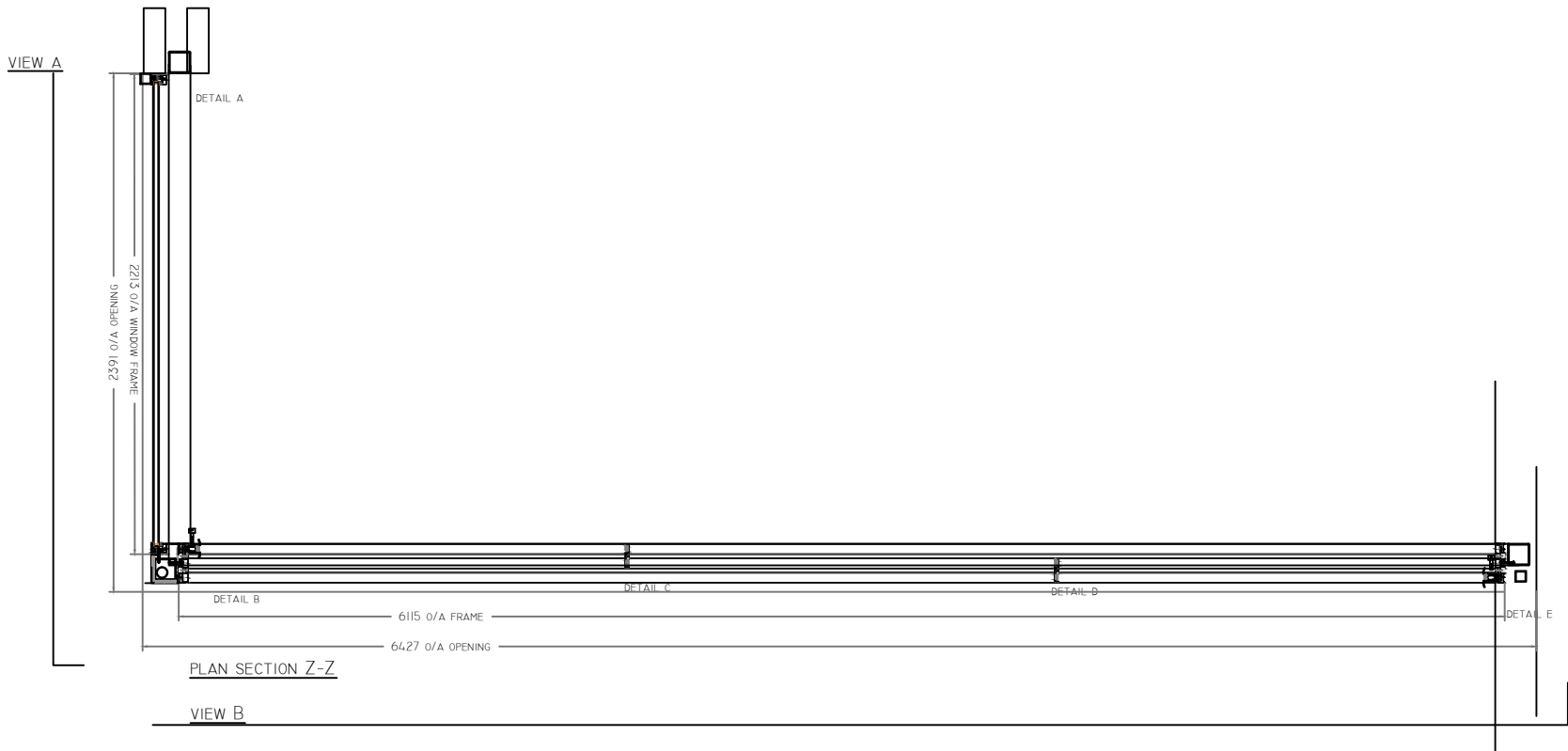
VIEW ON A



VIEW B
ELEVATION VIEWED FROM OUTSIDE



SECTION X-X



PLAN SECTION Z-Z

VIEW B

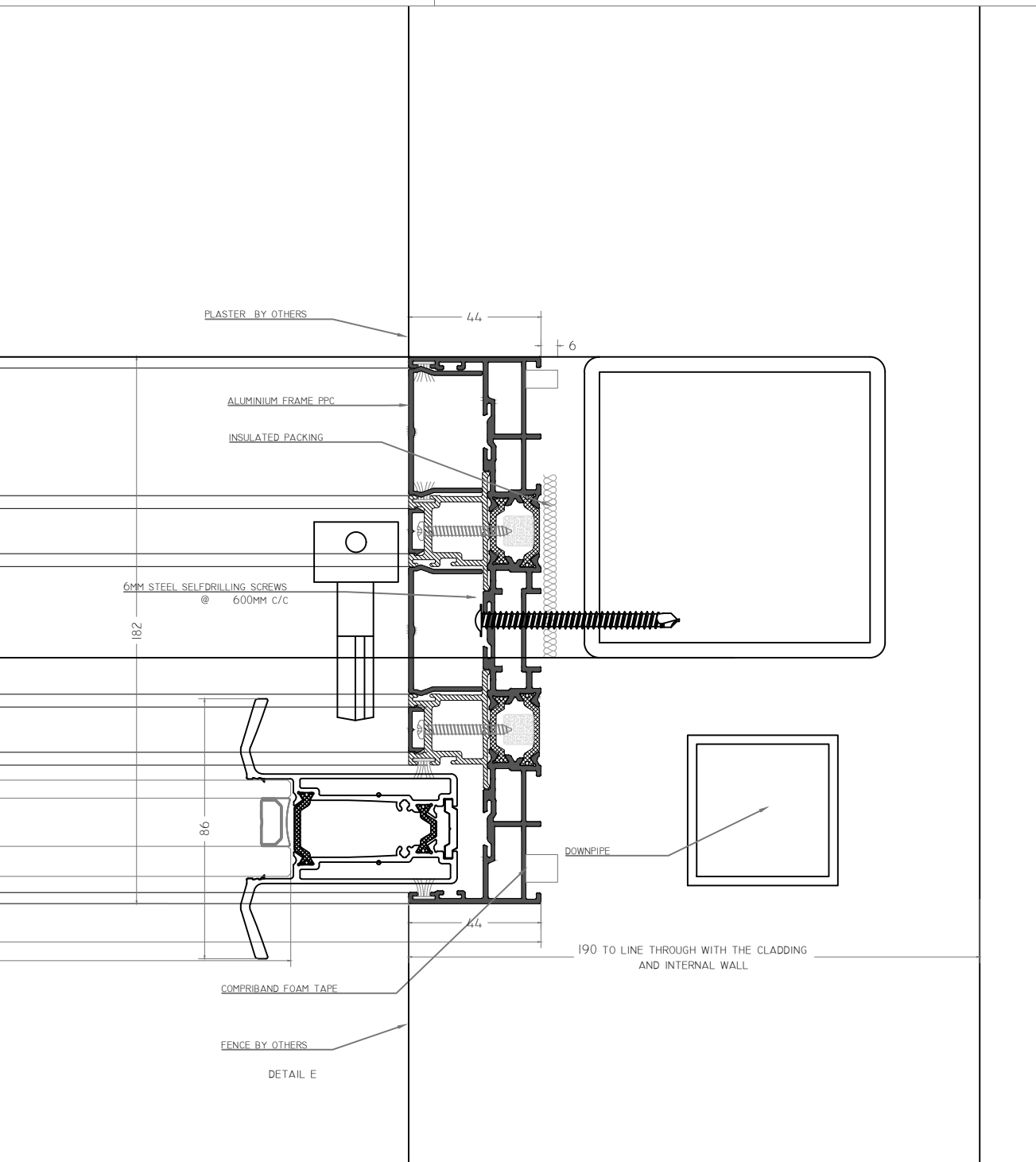
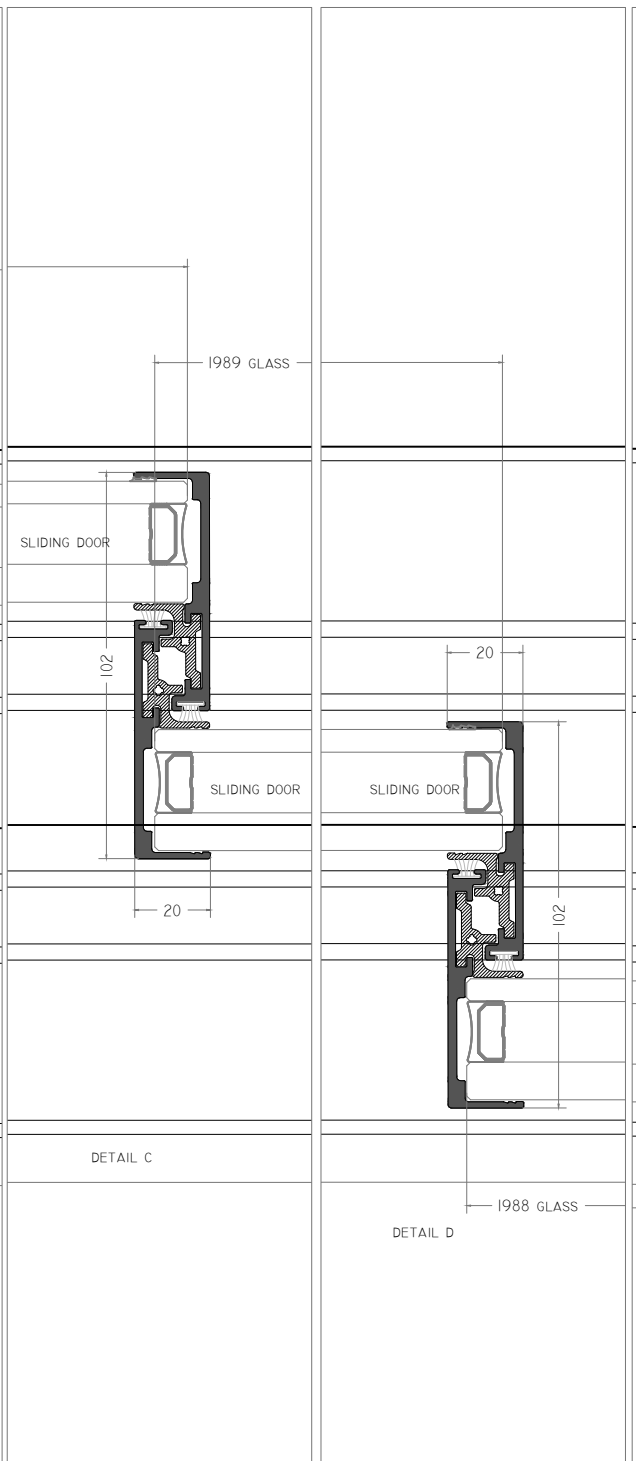
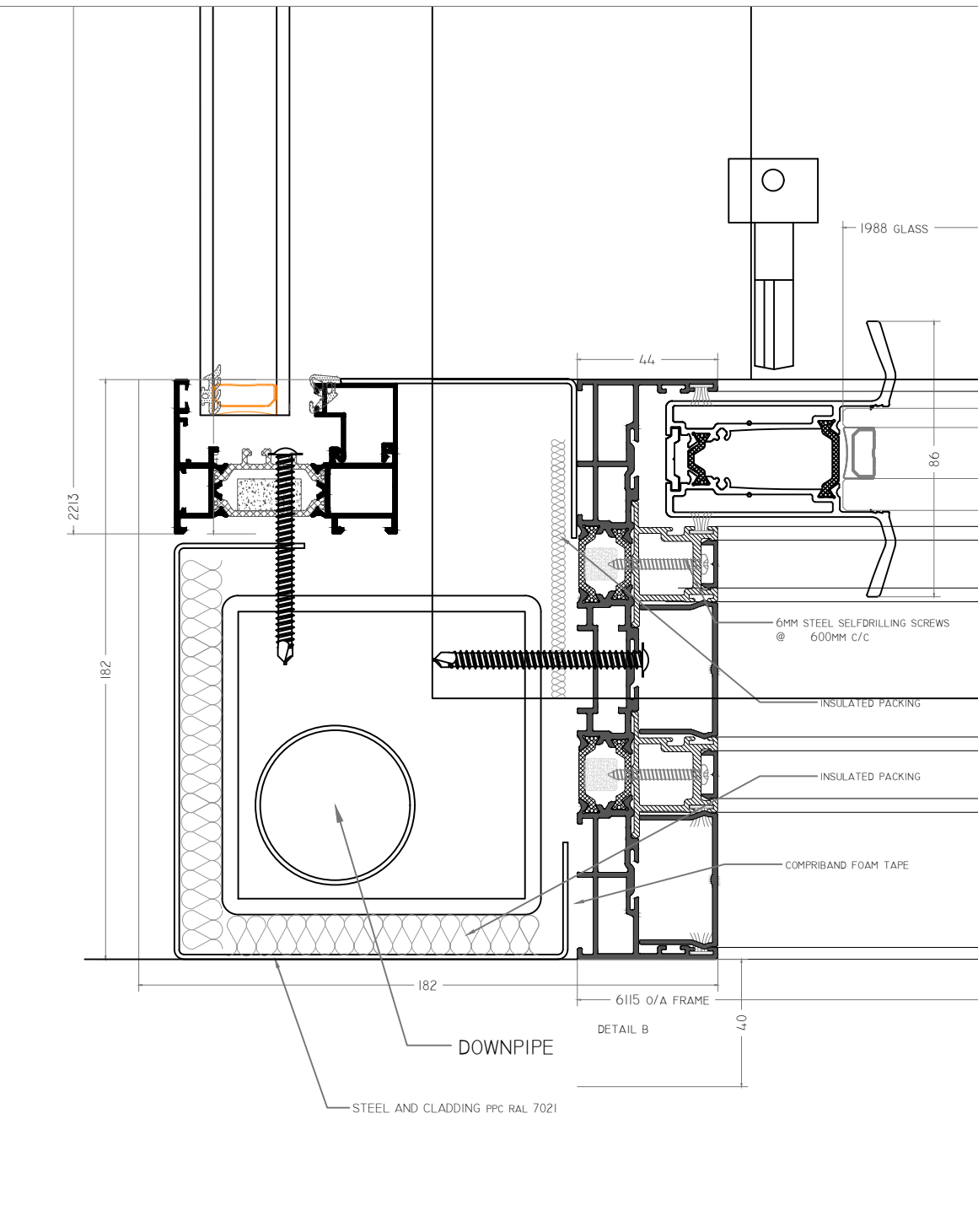
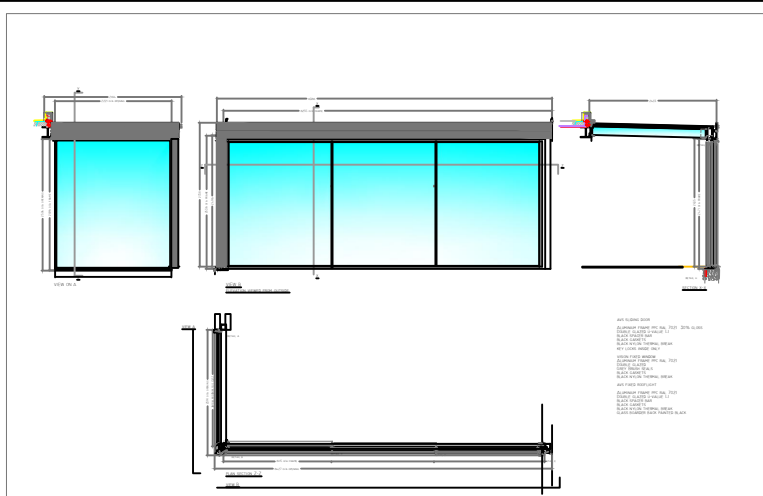
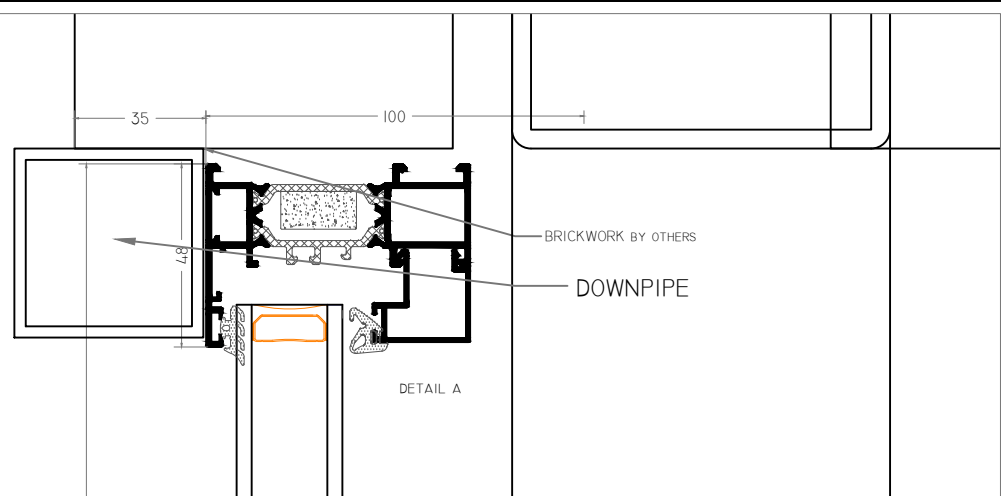
- AVS SLIDING DOOR
 - ALUMINIUM FRAME PPC RAL 7021 30% GLOSS
 - DOUBLE GLAZED U-VALUE 1.1
 - BLACK SPACER BAR
 - BLACK GASKETS
 - BLACK NYLON THERMAL BREAK
 - KEY LOCKS INSIDE ONLY
- VISION FIXED WINDOW
 - ALUMINIUM FRAME PPC RAL 7021
 - DOUBLE GLAZED
 - GREY BRUSH SEALS
 - BLACK GASKETS
 - BLACK NYLON THERMAL BREAK
- AVS FIXED ROOFLIGHT
 - ALUMINIUM FRAME PPC RAL 7021
 - DOUBLE GLAZED U-VALUE 1.1
 - BLACK SPACER BAR
 - BLACK GASKETS
 - BLACK NYLON THERMAL BREAK
 - GLASS BORDER BACK PAINTED BLACK

Approval	
Approved by	signed
Date	

REV	DATE	MOD BY	DESCRIPTION
A	27/9	sm	Amended following site visit
B	15/10	sm	Amended following site visit
C	20/10	sm	Additional detail added


Architectural Vision Systems
Architectural Vision Systems Ltd
 BARTON BUSINESS PARK, NEW DOVER RD, CANTERBURY CT1 3AA
 TEL: 01843 825 573

1 Fordwych Road London NW2 3TN			
SCALE: 1:30 @A3	JOB NUMBER	DWG No.	REV
DATE: 11/6/16	1145	01	C
DRAWN BY: SM			



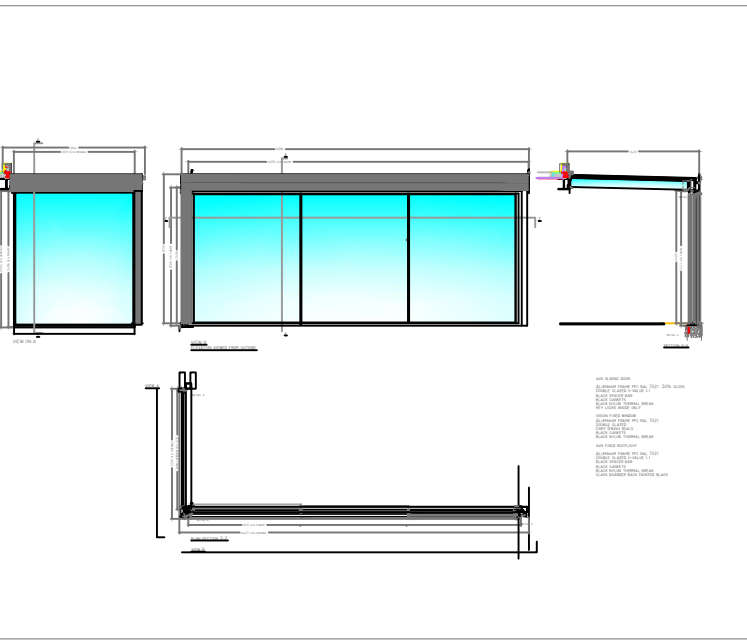
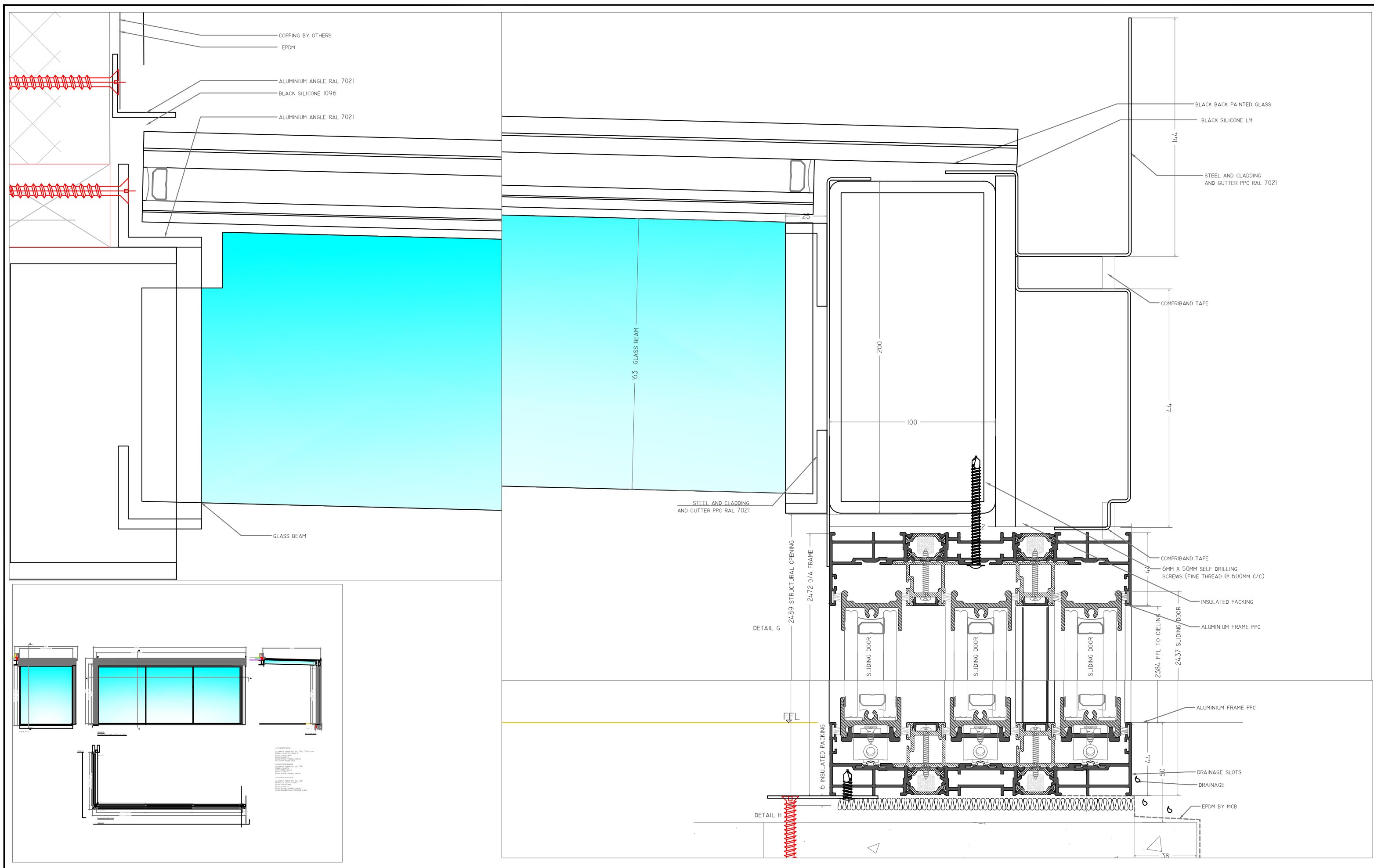
Approval	
Approved by	signed
Date	

Notes
ATTENDANCIES BY OTHERS
ALUMINIUM ACCESS TOWERS WITH A WORKING PLATFORM OF 2.5M. CLEAR ACCESS TO THE WORKFACE. A DESIGNATED AREA OF 2M AROUND THE WORKING AREA, CLEAR OF OTHER TRADES FALL PROTECTION TO ANY OPENING IN THE FLOOR SLAB IN THE VICINITY.

REV	DATE	MOD BY	DESCRIPTION
A	27/9	sm	Amended following site visit
B	15/10	sm	Amended following site visit
C	20/10	sm	Additional detail added

Architectural Vision Systems Ltd
BARTON BUSINESS PARK, NEW DOVER RD, CANTERBURY CT1 3AA
TEL: 01843 825 573

1 Fordwych Road London NW2 3TN			
SCALE: 1:20 @A3	JOB NUMBER	DWG No.	REV
DATE: 11/6/16	1145	02	C
DRAWN BY: SM			



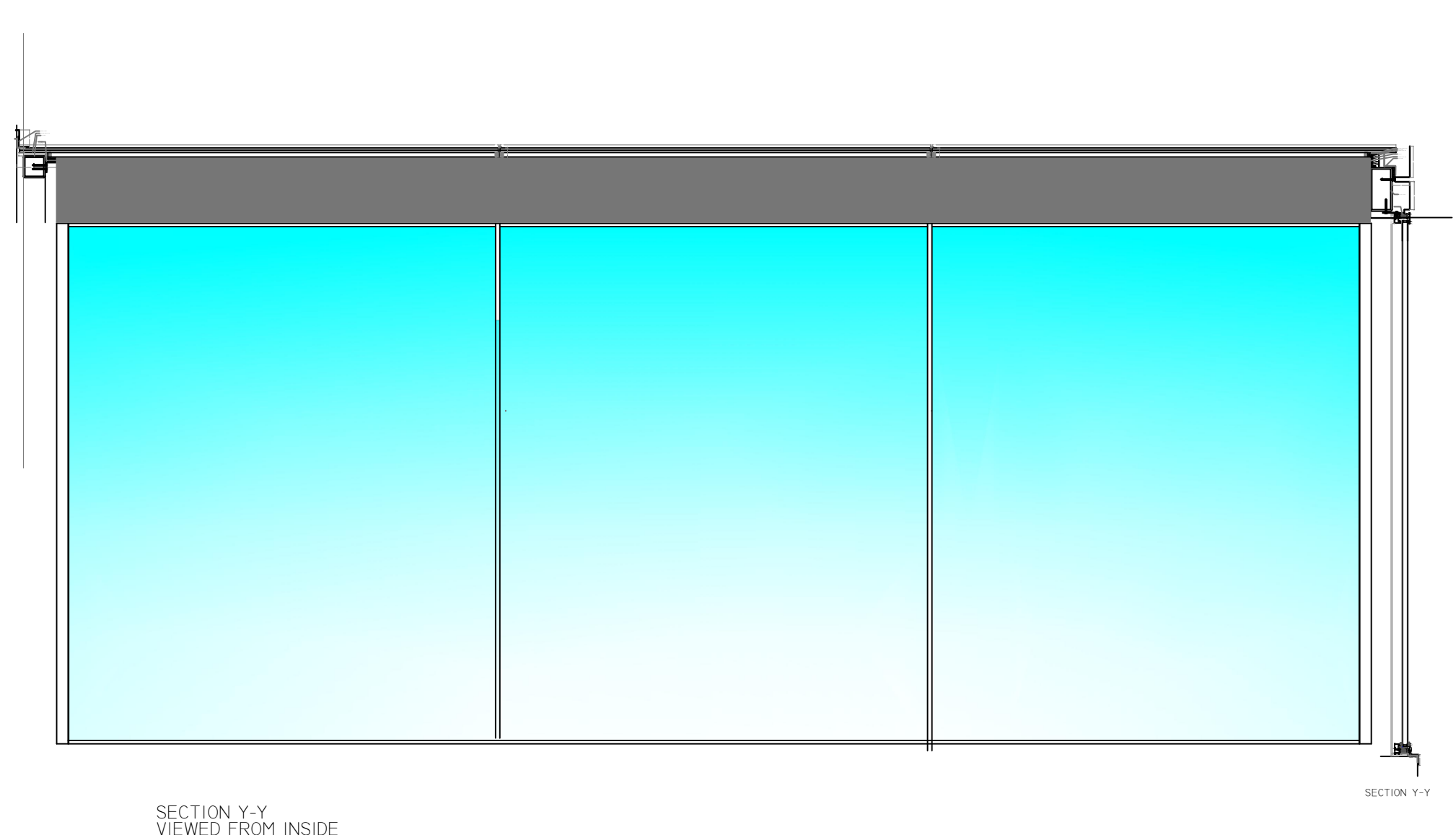
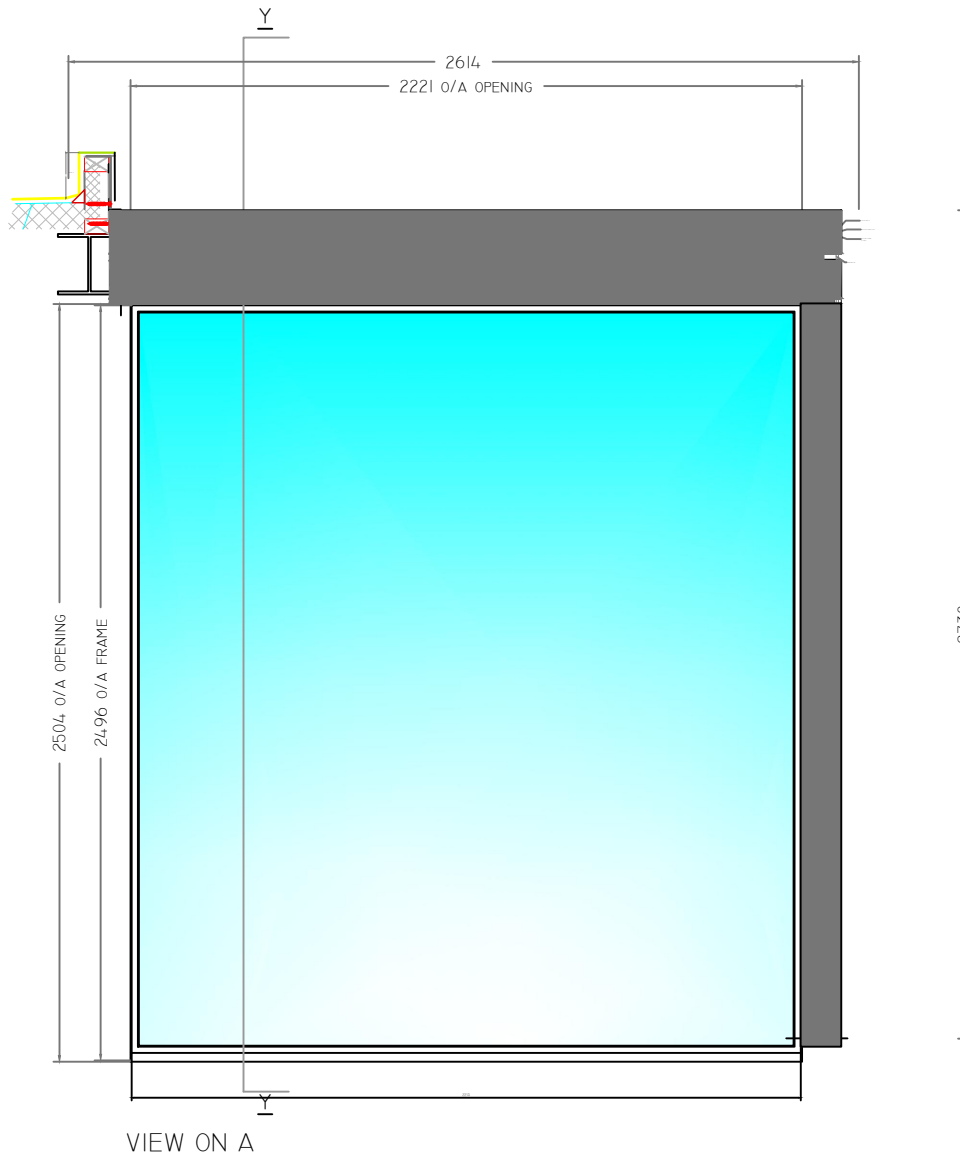
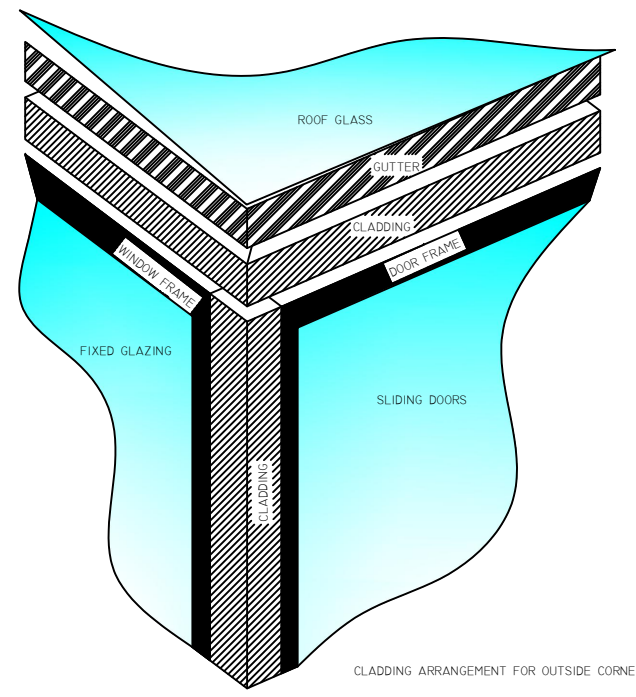
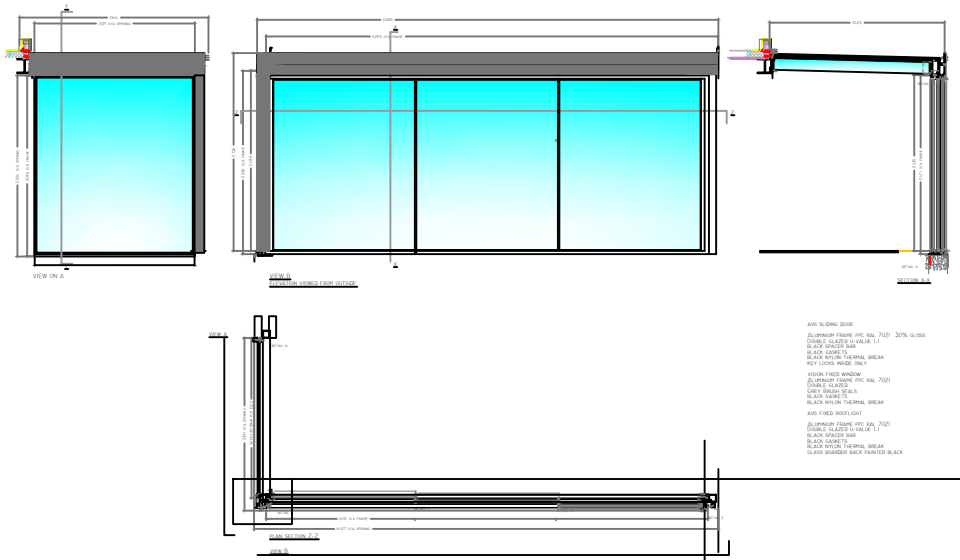
Approval	
Approved by	signed
Date	

Notes
ATTENDANCIES BY OTHERS
ALUMINIUM ACCESS TOWERS WITH A WORKING PLATFORM OF 2.5M. CLEAR ACCESS TO THE WORKFACE A DESIGNATED AREA OF 2M AROUND THE WORKING AREA, CLEAR OF OTHER TRADES FALL PROTECTION TO ANY OPENING IN THE FLOOR SLAB IN THE VICINITY.

REV	DATE	MOD BY	DESCRIPTION
A	27/9	sm	Amended following site visit
B	15/10	sm	Amended following site visit
C	20/10	sm	Additional detail added


Architectural Vision Systems
 Architectural Vision Systems Ltd
 BARTON BUSINESS PARK, NEW DOVER RD, CANTERBURY CT1 3AA
 TEL: 01843 825 573

1 Fordwych Road London NW2 3TN			
SCALE: 1:20 @A3	JOB NUMBER	DWG No.	REV
DATE: 11/6/16	1145	03	C
DRAWN BY: SM			

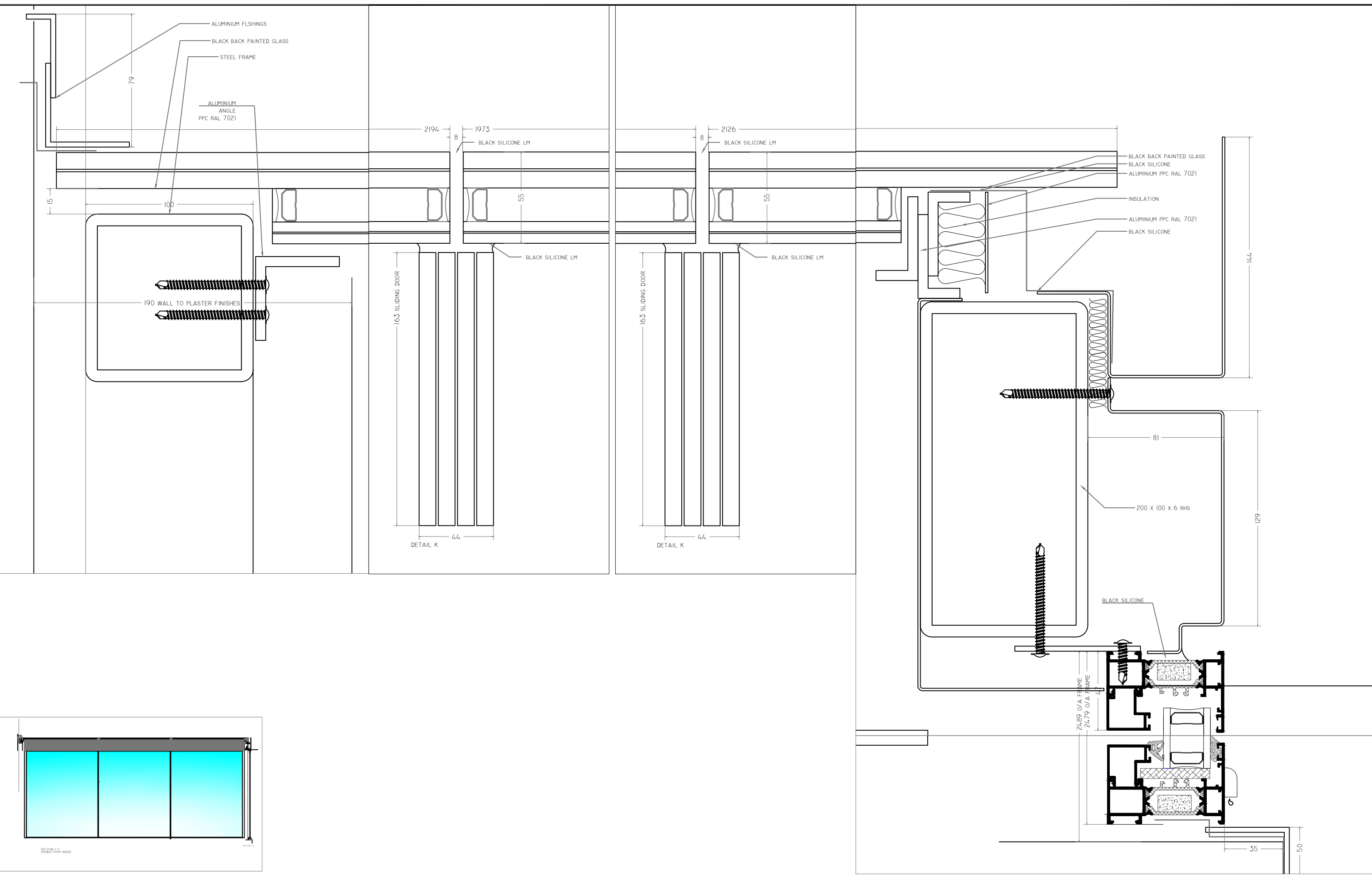


Approval	
Approved by	signed
Date	

REV	DATE	MOD BY	DESCRIPTION
A	27/9	sm	Amended following site visit
B	15/10	sm	Amended following site visit
C	20/10	sm	Additional detail added

Architectural Vision Systems
 Architectural Vision Systems Ltd
 BARTON BUSINESS PARK, NEW DOVER RD, CANTERBURY CT1 3AA
 TEL: 01843 825 573

1 Fordwych Road London NW2 3TN			
SCALE: 1:20 @A3	JOB NUMBER	DWG No.	REV
DATE: 11/6/16	1145	04	C
DRAWN BY: SM			



Approval

Approved by

Date

signed

Notes

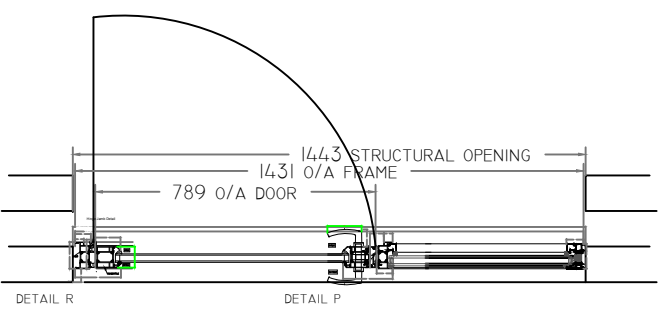
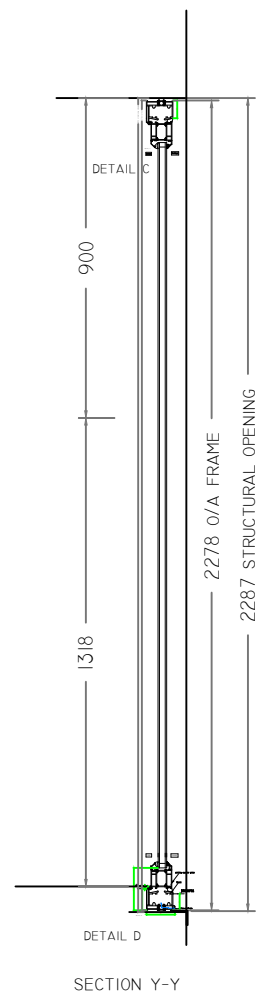
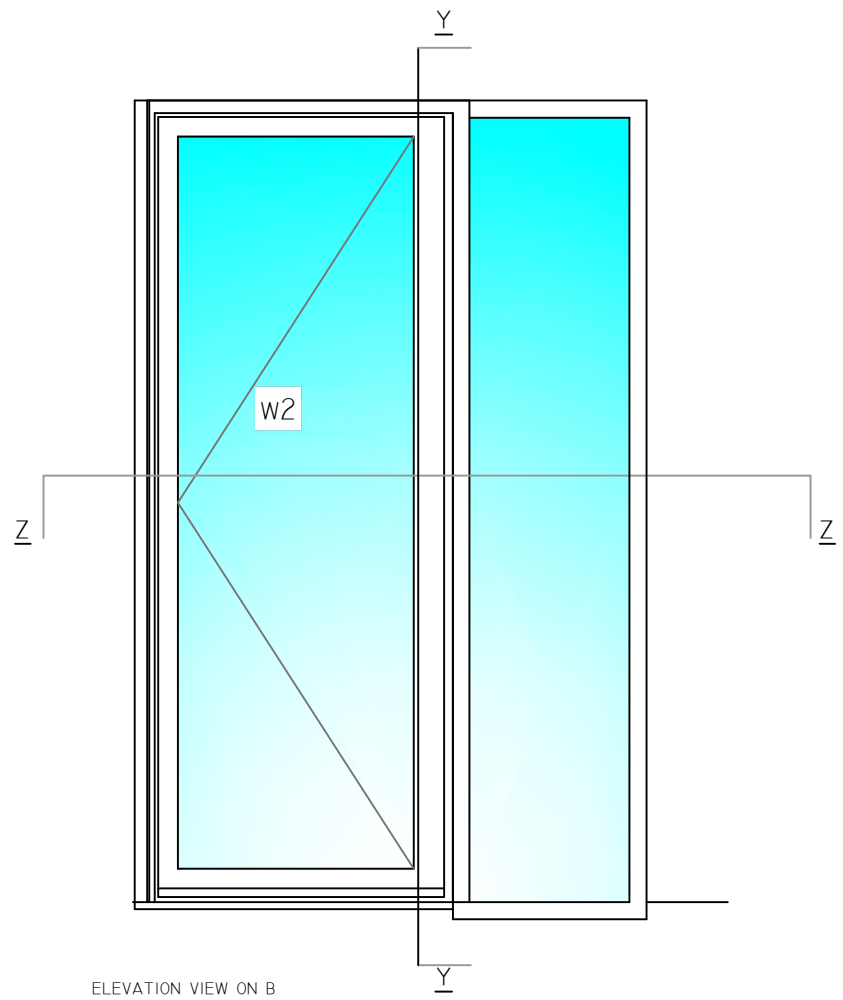
ATTENDANCIES BY OTHERS

ALUMINIUM ACCESS TOWERS WITH A WORKING PLATFORM OF 2.5M.
CLEAR ACCESS TO THE WORKFACE.
A DESIGNATED AREA OF 2M AROUND THE WORKING AREA, CLEAR OF OTHER TRADES
FALL PROTECTION TO ANY OPENING IN THE FLOOR SLAB IN THE VICINITY.

REV	DATE	MOD BY	DESCRIPTION
A	27/9	sm	Amended following site visit
B	15/10	sm	Amended following site visit
C	20/10	sm	Additional detail added

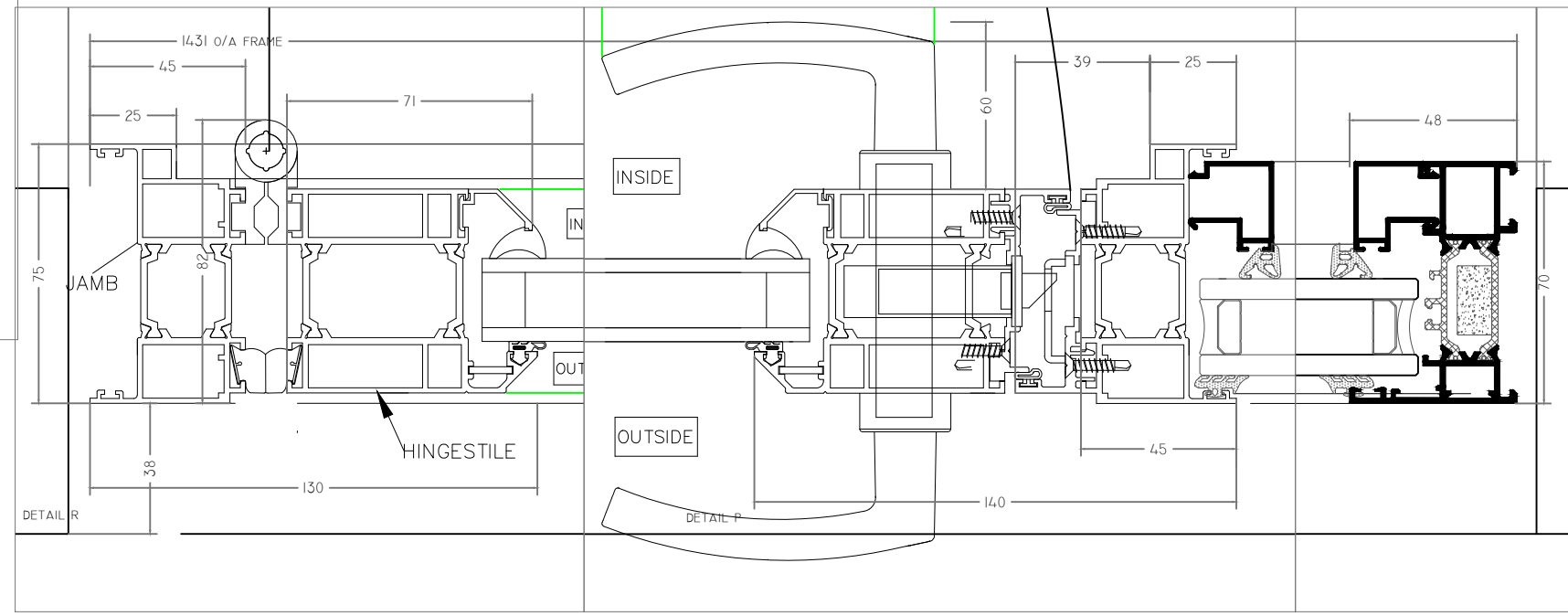
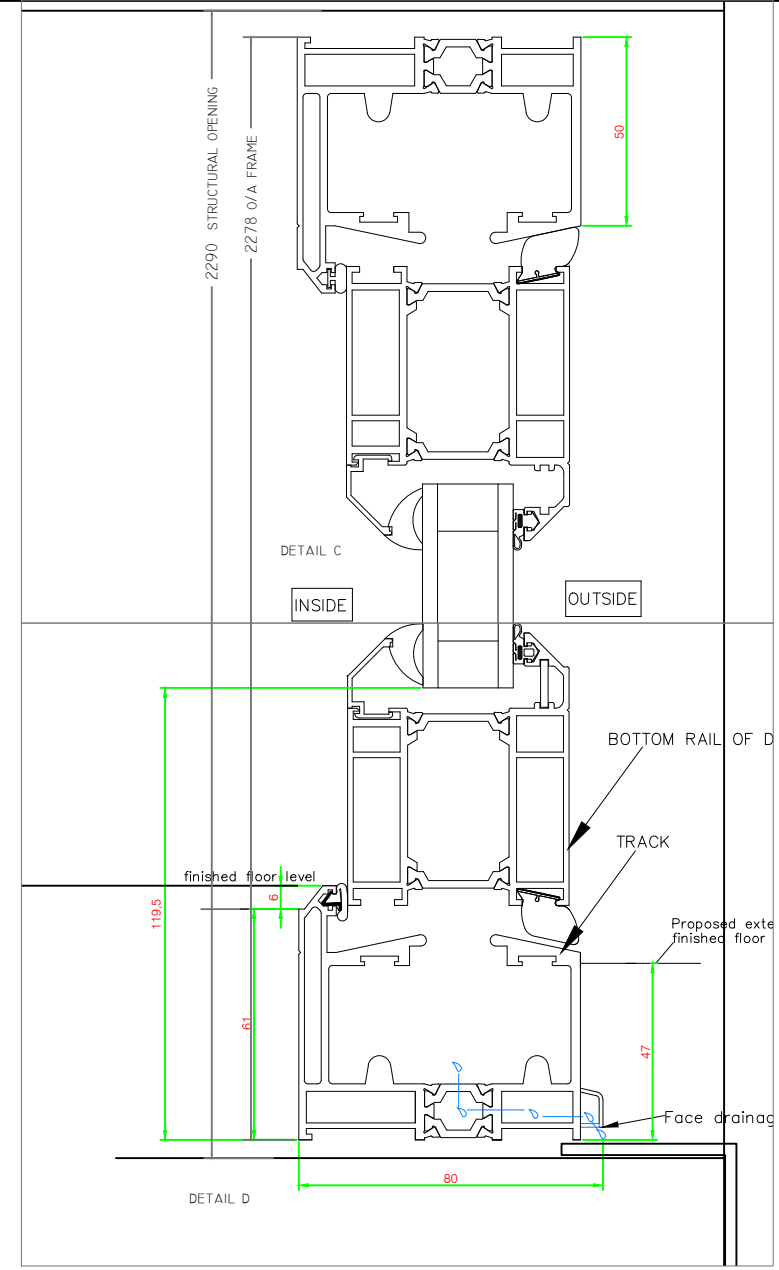
Architectural Vision Systems Ltd
BARTON BUSINESS PARK, NEW DOVER RD, CANTERBURY CT1 3AA
TEL: 01843 825 573

1 Fordwych Road London NW2 3TN			
SCALE: 1:20 @A3	JOB NUMBER	DWG No.	REV
DATE: 11/6/16	1145	05	C
DRAWN BY: SM			



VISION SWING DOOR
 ALUMINIUM FRAME PPC RAL 7022
 DOUBLE GLAZED
 GREY BRUSH SEALS
 BLACK GASKETS
 BLACK NYLON THERMAL BREAK
 EURO CYLINDER LOCK TO BOTH SIDES
 BLACK DOOR HANDLES

VISION FIXED WINDOW
 ALUMINIUM FRAME PPC RAL 7022
 DOUBLE GLAZED
 GREY BRUSH SEALS
 BLACK GASKETS
 BLACK NYLON THERMAL BREAK
 GLAZING TO HAVE SAND BLAST FINISH
 WITHIN UNITS



Approval	
Approved by	signed
Date	

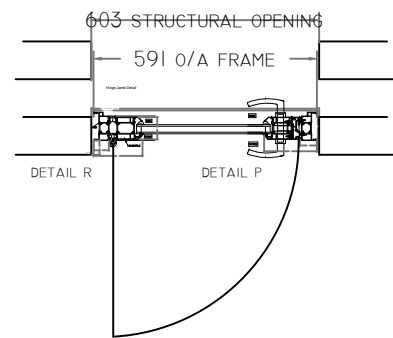
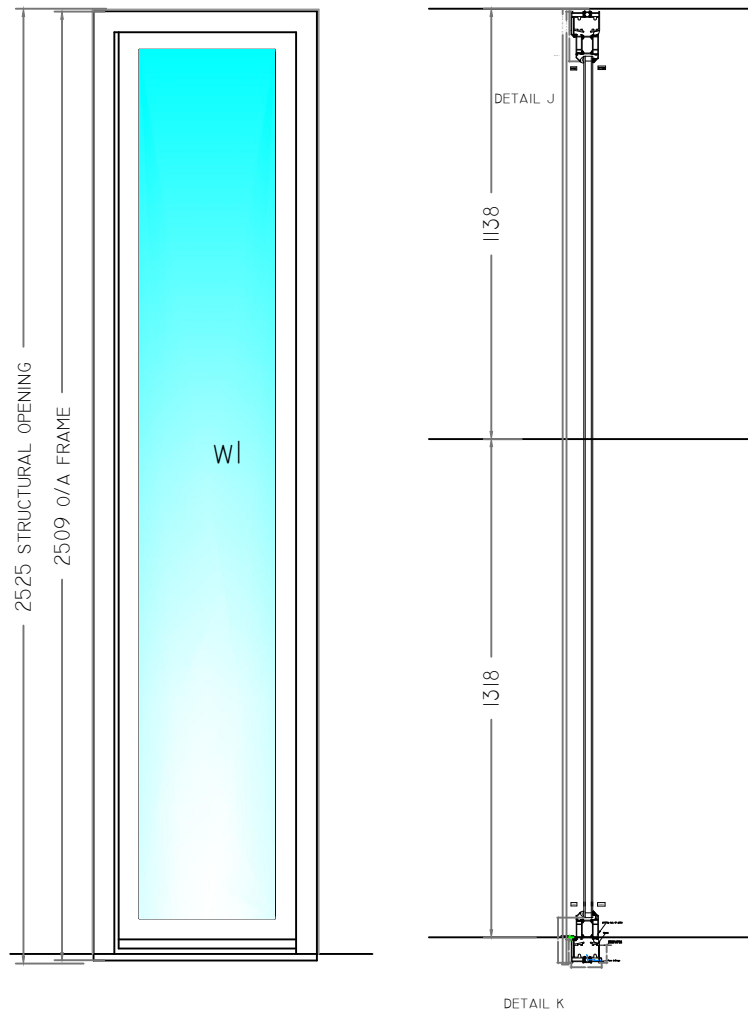
REV	DATE	MOD BY	DESCRIPTION
A	27/9	sm	Amended following site visit
B	15/10	sm	Amended following site visit
C	20/10	sm	Additional detail added

Notes
ATTENDANCES BY OTHERS
ALUMINIUM ACCESS TOWERS WITH A WORKING PLATFORM OF 2.5M. CLEAR ACCESS TO THE WORKFACE.
A DESIGNATED AREA OF 2M AROUND THE WORKING AREA, CLEAR OF OTHER TRADES FALL PROTECTION TO ANY OPENING IN THE FLOOR SLAB IN THE VICINITY.

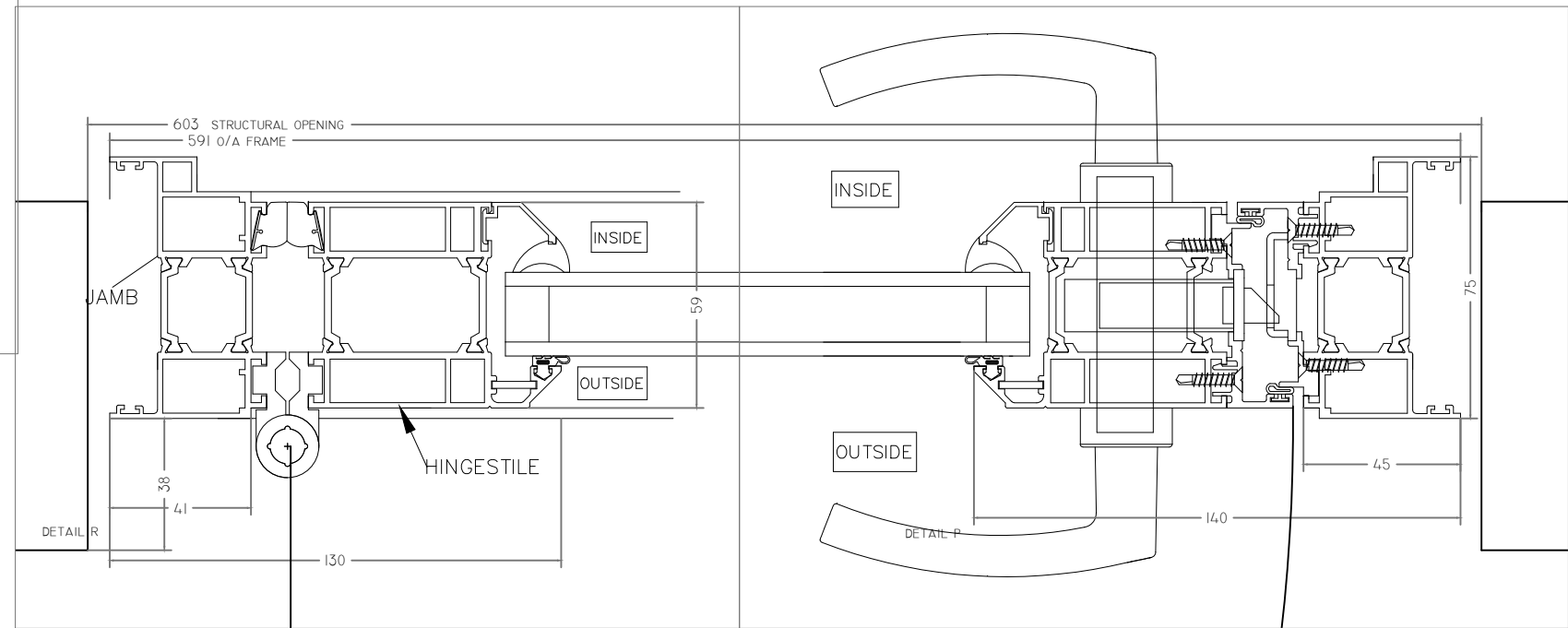
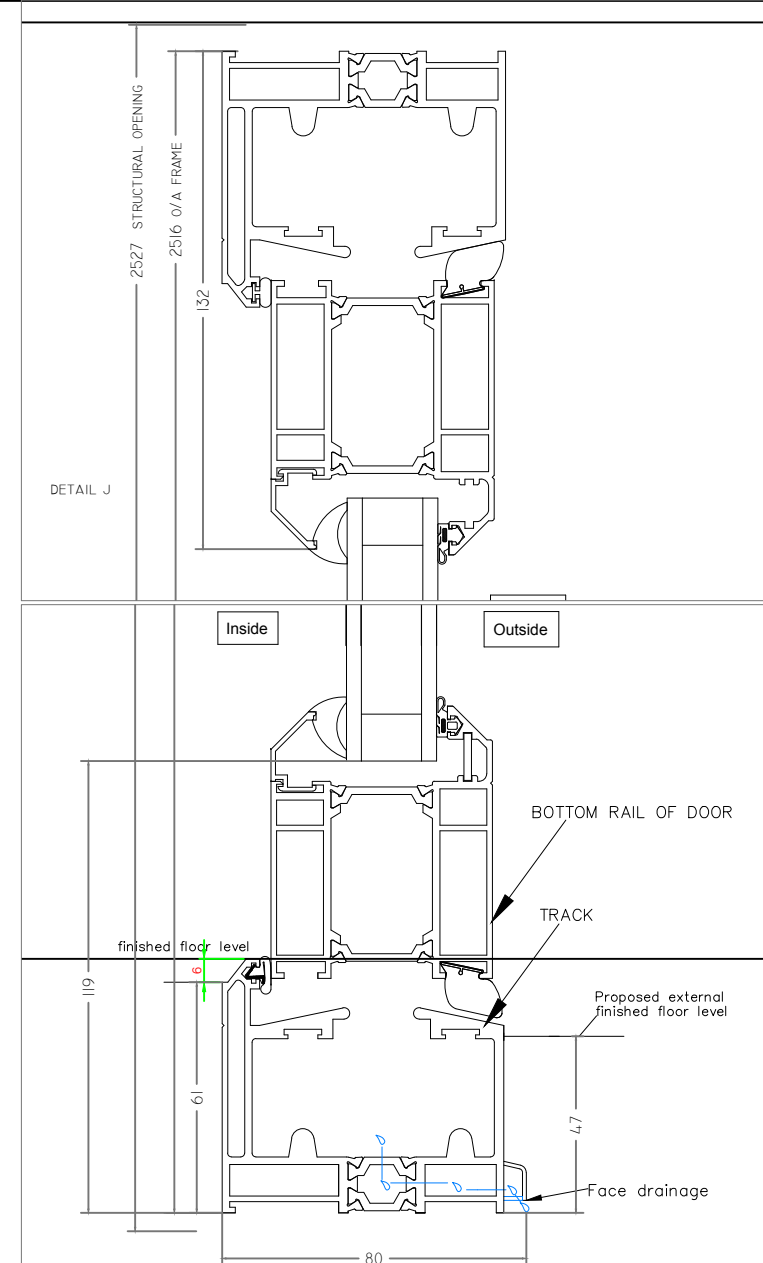
Architectural Vision Systems

Architectural Vision Systems Ltd
 BARTON BUSINESS PARK, NEW DOVER RD, CANTERBURY CT1 3AA
 TEL: 01843 825 573

1 Fordwych Road London NW2 3TN			
SCALE: 1:20 @A3	JOB NUMBER	DWG No.	REV
DATE: 11/6/16	1145	06	C
DRAWN BY: SM			



3 OFF VISION SWING DOOR
 ALUMINIUM FRAME PPC RAL 7022
 DOUBLE GLAZED SAND BLAST
 FINISH WITHIN UNIT
 GREY BRUSH SEALS
 BLACK GASKETS
 BLACK NYLON THERMAL BREAK
 EURO CYLINDER LOCK TO BOTH SIDES
 BLACK DOOR HANDLES



Approval	
Approved by	signed
Date	

Notes
ATTENDANCES BY OTHERS
ALUMINIUM ACCESS TOWERS WITH A WORKING PLATFORM OF 2.5M. CLEAR ACCESS TO THE WORKFACE A DESIGNATED AREA OF 2M AROUND THE WORKING AREA, CLEAR OF OTHER TRADES FALL PROTECTION TO ANY OPENING IN THE FLOOR SLAB IN THE VICINITY.

REV	DATE	MOD BY	DESCRIPTION
A	27/9	sm	Amended following site visit
B	15/10	sm	Amended following site visit
C	20/10	sm	Additional detail added

Architectural Vision Systems

Architectural Vision Systems Ltd
 BARTON BUSINESS PARK, NEW DOVER RD, CANTERBURY CT1 3AA
 TEL: 01843 825 573

1 Fordwych Road London NW2 3TN			
SCALE: 1:20 @A3	JOB NUMBER	DWG No.	REV
DATE: 11/6/16	1145	07	C
DRAWN BY: SM			