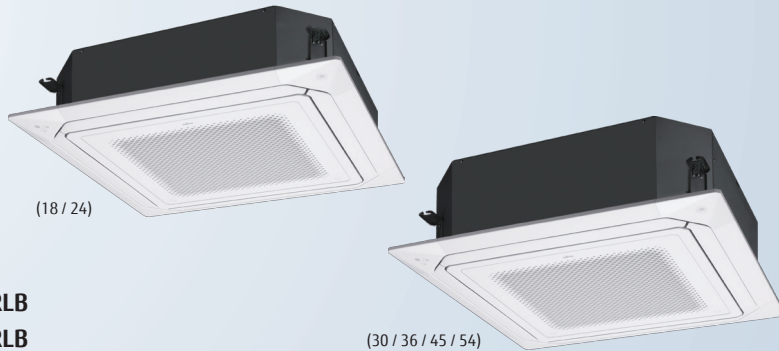


18 / 24 / 30 / 36 models



Touch Panel
Wired RC



AOYG18LBCA
AOYG24LBCA

AOYG30LBTA
AOYG36LBTA

AOYG45LBTA
AOYG54LBTA

Indoor Unit

- AUXG18LRLB AUXG24LRLB
- AUXG30LRLB AUXG36LRLB
- AUXG45LRLB AUXG54LRLB

Grille

UTG-UKYA-W Common to all models

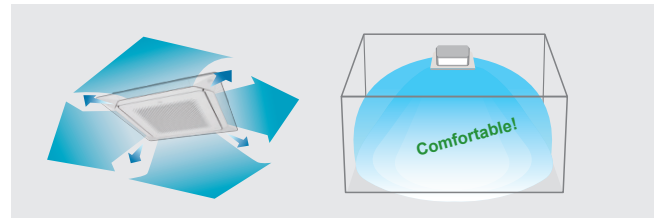
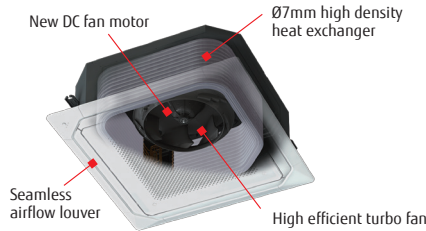


Circular Flow Cassette Range

Feature

Uniform air distribution by the seamless air opening

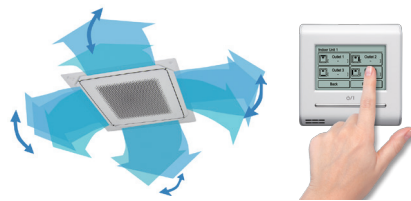
In this new model, the gaps between each airflow openings are removed, which enables to distribute wider and uniform airflow to room.



Feature

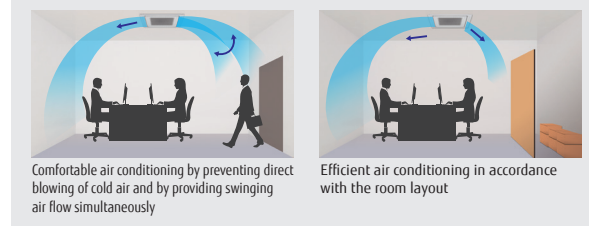
Individual louver control

Each louver can be set individually by Touch Panel Controller to enjoy the comfort of different directional airflows according to various room layouts.



*Touch Panel Wired RC (UTY-RNRYZ1) only

Scenario



Feature

Human Sensor for Energy Saving (Option)

• Human sensor
2 modes can be selected.



Power is saved while no one is around
Operation is stopped while no one is around
*Touch Panel Wired RC (UTY-RNRYZ1) only



Feature

Easy operation by touch panel screen

- Easy finger touch operation with backlight LCD panel
- Support 12 languages
English, German, French, Spanish, Italian, Portuguese, Dutch, Polish, Greek, Russian, Turkish, Chinese



Optional parts

- Touch Panel Wired Remote Controller (Two wires) : UTY-RNRYZ1 Std
- High Grade Wired Remote Controller (Three wires) : UTY-RVNYM
- Standard Wired Remote Controller (Two wires) : UTY-RLRY
- Simple Remote Controller (Three wires) : UTY-RSNYM

- IR Receiver Kit : UTY-LBTYC
- Human Sensor Kit : UTY-SHZXC
- Communication Kit : UTY-XCSX
- Communication kit bracket : UTZ-GXRA

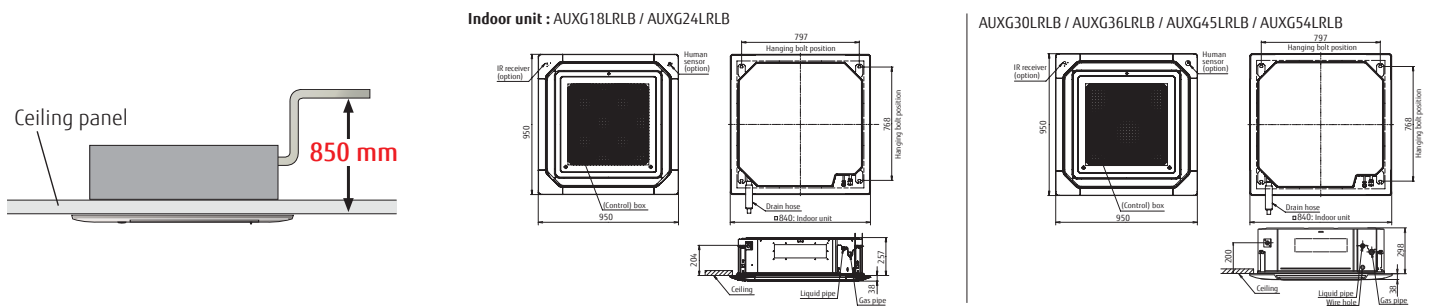
- External Connect Kit : UTY-XWZXG
- Fresh Air Intake Kit : UTZ-VXRA

Feature explanation

- Economy mode:** Thermostat setting automatically changes according to the temperature to avoid unnecessary cooling and heating.
- Room temperature set point limitation:** The minimum and maximum temperature range can be set giving further energy saving while considering the comfort of the occupants.
- Set temperature auto return:** The setting temperature automatically returns to the previously set temperature.
- Auto-changeover:** The unit automatically switches between heating and cooling modes based on your temperature setting and the room temperature.
- Up / down swing flaps:** The up / down flaps automatically swing up and down.
- Automatic fan speed:** The micro-computer automatically adjusts the airflow effectively to follow the changes of room temperature.
- Auto restart:** In the event of a temporary power failure, the air conditioner will automatically restart in the same operating mode as before, once power supply is restored.
- Connectable fresh air duct:** Outside air can be introduced by attaching field supplied duct to fresh air knock-out and optional part.
- Connectable distributing duct:** Systems are capable of attaching field-supplied branch ducts distributing the airflow.
- Individual airflow direction control:** Each louver of 4-way Cassette type can be controlled individually and provides comfortable airflow.
- Auto off timer:** Automatically stops operation when a fixed time has elapsed from the start of operation.
- Weekly timer:** Different ON-OFF times can be set for each day.
- Filter sign:** Indicates the filter cleaning period by lamp.

Dimensions

(Unit : mm)



Specifications

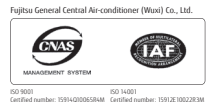
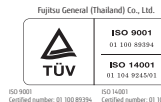
(TENTATIVE)

Model Number	Indoor	AUXG18RLB	AUXG24RLB	AUXG30RLB	AUXG36RLB	AUXG45RLB	AUXG54RLB
Nominal Capacity (kW)	Cooling	5.2 (0.9-6.5)	6.8 (0.9-8.0)	8.5 (2.8-10.0)	9.5 (2.8-11.2)	12.5 (4.0-14.0)	13.3 (4.5-14.5)
UK Total / Sensible Cooling*	Heating	6.0 (0.9-8.0)	7.8 (0.9-9.1)	10.0 (2.7-11.2)	10.8 (2.7-12.7)	14.0 (4.2-16.2)	15.8 (4.7-16.5)
Power Consumption (kW)	Cooling	1.42	2.16	2.56	2.96	3.85	4.38
EER / COP (Nominal Conditions)	Heating	1.50	2.18	2.77	2.91	3.73	4.58
Pdesign (kW) @ -10°C	Cooling	3.66 / 4.00	3.15 / 3.58	3.32 / 3.61	3.21 / 3.71	3.25 / 3.75	3.04 / 3.45
SEER	Heating	5.2	6.8	8.5	9.5	-	-
SCOP	Cooling	4.3	6.0	8.0	8.7	-	-
Energy Efficiency Class	Heating (Average)	7.05	6.6	6.7	6.4	-	-
Annual Energy Consumption (kWh/a)	Cooling	4.4	4.2	4.3	4.3	-	-
Moisture Removal	Heating	A++	A++	A++	A++	-	-
Dimensions (HxWxD) mm	Heating (Average)	A+	A+	A+	A+	-	-
Net Weight (kg)	Cooling	258	361	444	519	-	-
Room Air Circulation (high) m3/h	Heating	1367	1999	2604	2833	-	-
Power Supply	I/h	2.2	2.7	2.5	3.3	4.5	5.0
Power Supply To	Inner	246x840x840	246x840x840	288x840x840	288x840x840	288x840x840	288x840x840
Running Current (A)	Outer	620x790x290	620x790x290	830x900x330	830x900x330	1290x900x330	1290x900x330
Starting current	Inner	24	24	26	26	29	29
Suggested MCB/Fuse	Outer	41	41	61	61	86	86
Interconnecting Cable	Inner	1050	1150	1600	1900	2000	2100
Remote Control Type (Supplied with grill)	Outer	1900	2460	3600	3800	6750	6750
Sound Pressure (dB(A) Cooling)	V-PH-Hz	230-1-50	230-1-50	230-1-50	230-1-50	230-1-50	230-1-50
Sound Power (dB(A) Cooling)	Outdoor	Outdoor	Outdoor	Outdoor	Outdoor	Outdoor	Outdoor
Max Pipe Length	Cooling	10.0	13.5	17.0	20.0	20.5	21.5
Max Height Difference	Heating	13.5	18.5	17.0	20.0	20.5	21.5
Refrigerant Charge	A	-	-	-	-	-	-
Additional Refrigerant Charge	A	16	20	20	25	25	25
Pipe Size (inches)	3 + E	3 + E	3 + E	3 + E	3 + E	3 + E	3 + E
Operating Range °CDB	Wired	Wired	Wired	Wired	Wired	Wired	Wired
Refrigerant	Indoor Q/L/M/H	28/31/32/33	29/32/33/35	33/36/38/40	34/38/41/44	35/39/42/46	36/40/43/47
Grill (to be ordered separately)	Outdoor H	51	55	53	54	55	55
Cassette Grill Dimensions (HxWxD)	Indoor H	47	49	54	58	60	61
	Outdoor H	64	68	67	68	68	69
	m	30	30	50	50	50	50
	m	20	20	30	30	30	30
	m	15	15	20	20	20	20
	g/m	20	20	40	40	40	40
	Gas	1/2	5/8	5/8	5/8	5/8	5/8
	Liquid	1/4	1/4	3/8	3/8	3/8	3/8
	Cooling	-15 to 46	-15 to 46	-15 to 46	-15 to 46	-15 to 46	-15 to 46
	Heating	-15 to 24	-15 to 24	-15 to 24	-15 to 24	-15 to 24	-15 to 24
	R410A	R410A	R410A	R410A	R410A	R410A	R410A
	UTG-UKYA-W	UTG-UKYA-W	UTG-UKYA-W	UTG-UKYA-W	UTG-UKYA-W	UTG-UKYA-W	UTG-UKYA-W
	mm	53x950x950	53x950x950	53x950x950	53x950x950	53x950x950	53x950x950

Note
*Cooling/heating capacities are based on the following conditions.

Cooling	Indoor temperature 23°CDB / 16°CWB Outdoor temperature 30°C
---------	--

- Performance test is in accordance with EN14511
- Seasonal efficiency test is in accordance with EN14825
- Sound power test is in accordance with EN12102



*Specifications and design are subject to change without notice for further improvement.
*Actual products' colors may be different from the colors shown in this printed material.

Distributed by :

FUJITSU GENERAL AIR CONDITIONING (UK) LTD
Unit 150 Centennial Park, Centennial Avenue, Elstree, Herts. WD6 3SG
www.fujitsu-general.com/uk

Tel: +44 (0)208 731 3450 Fax: +44 (0)208 731 3451

Copyright© 2016 Fujitsu General Limited. All rights reserved. 3EFNP10-1510E