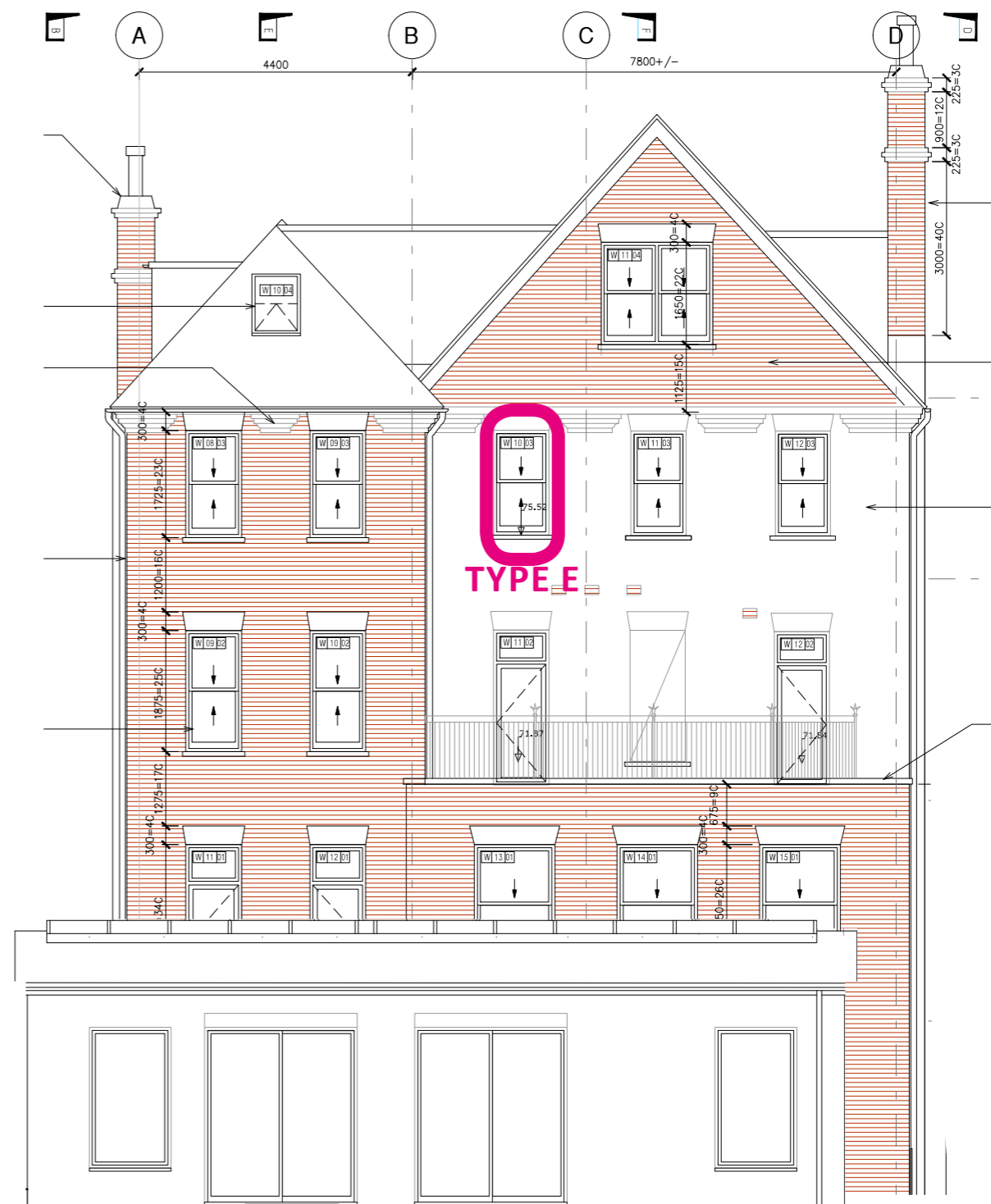
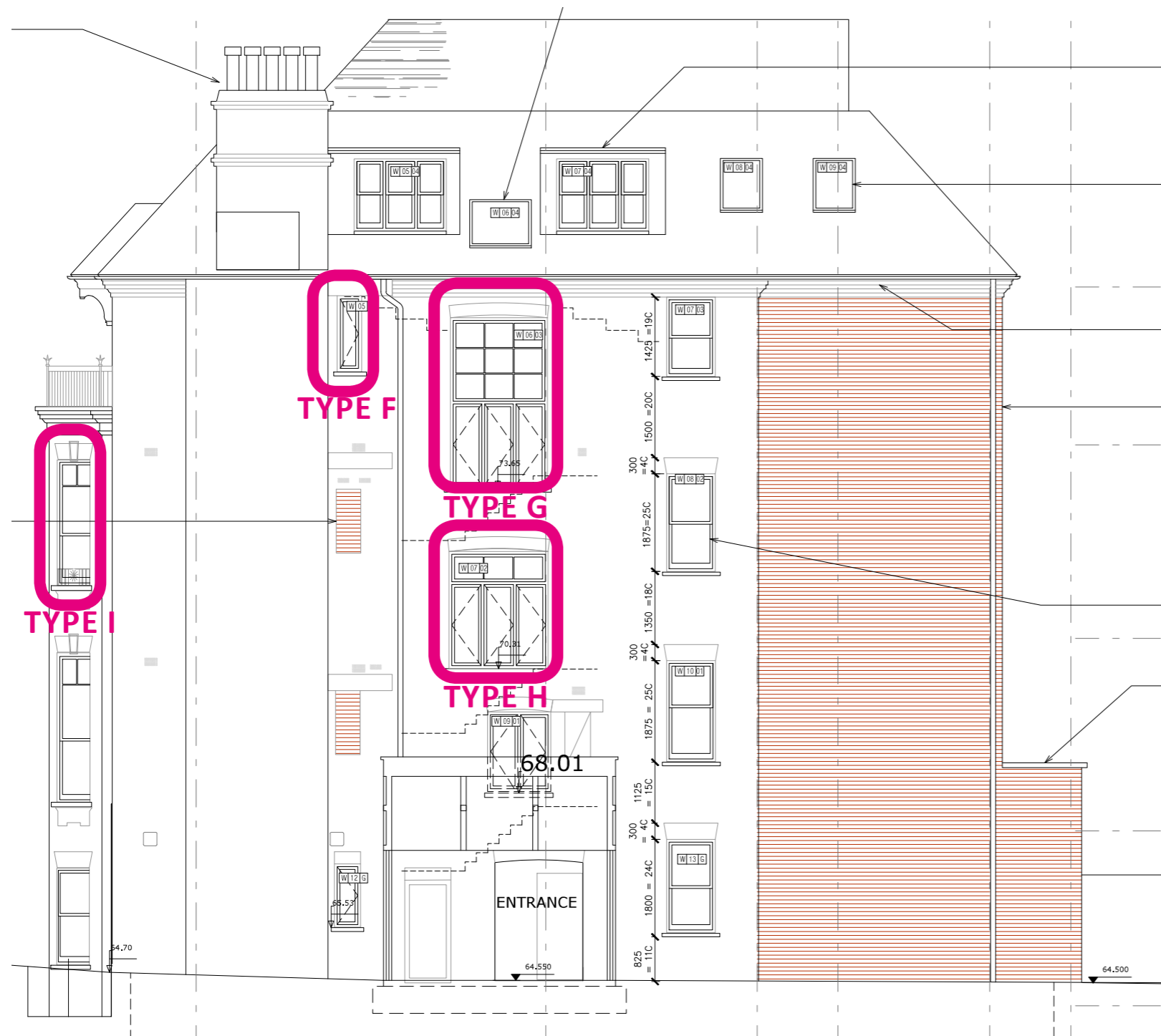


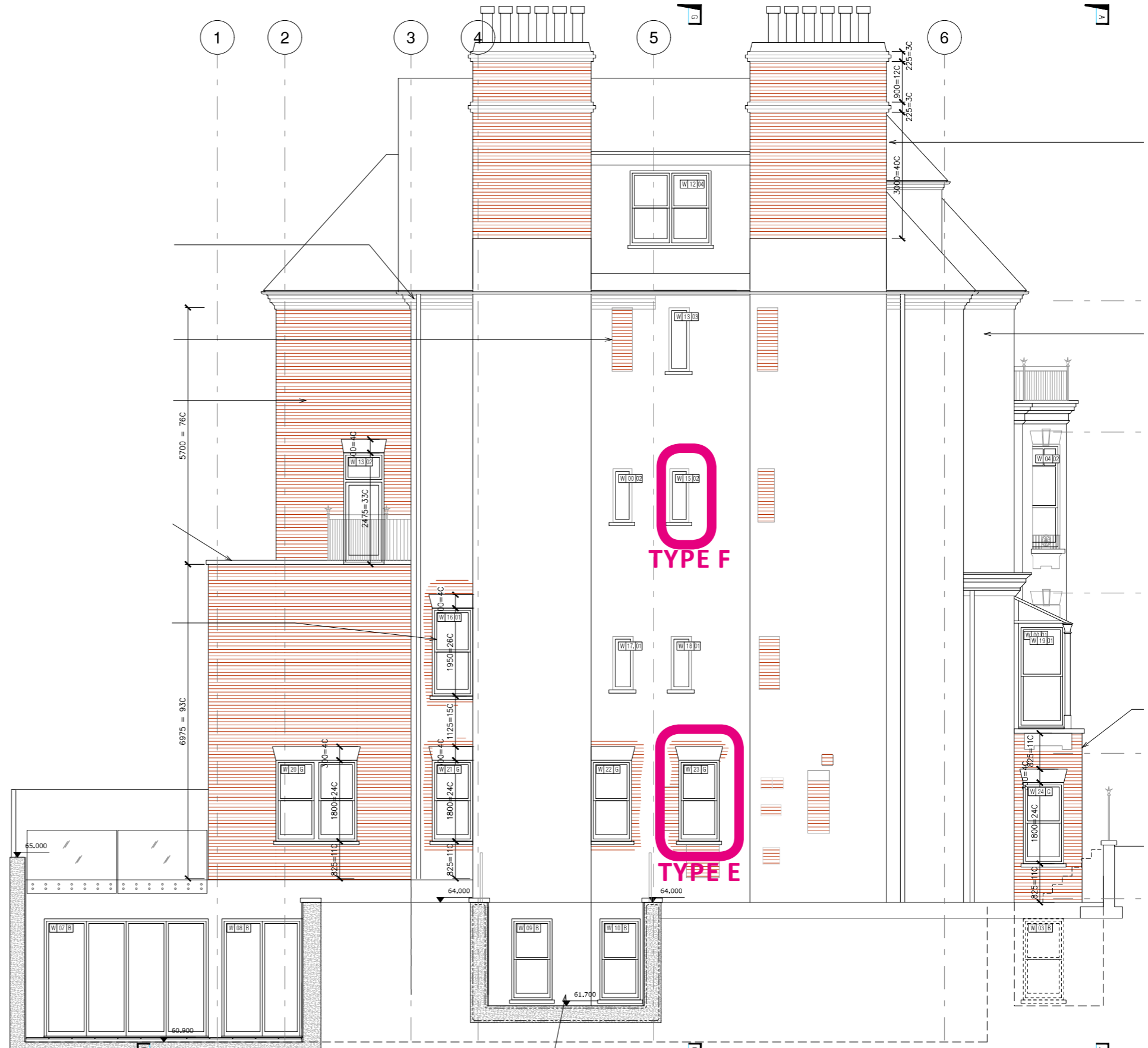
1 PROPOSED FRONT EAST ELEVATION



2 PROPOSED REAR WEST ELEVATION

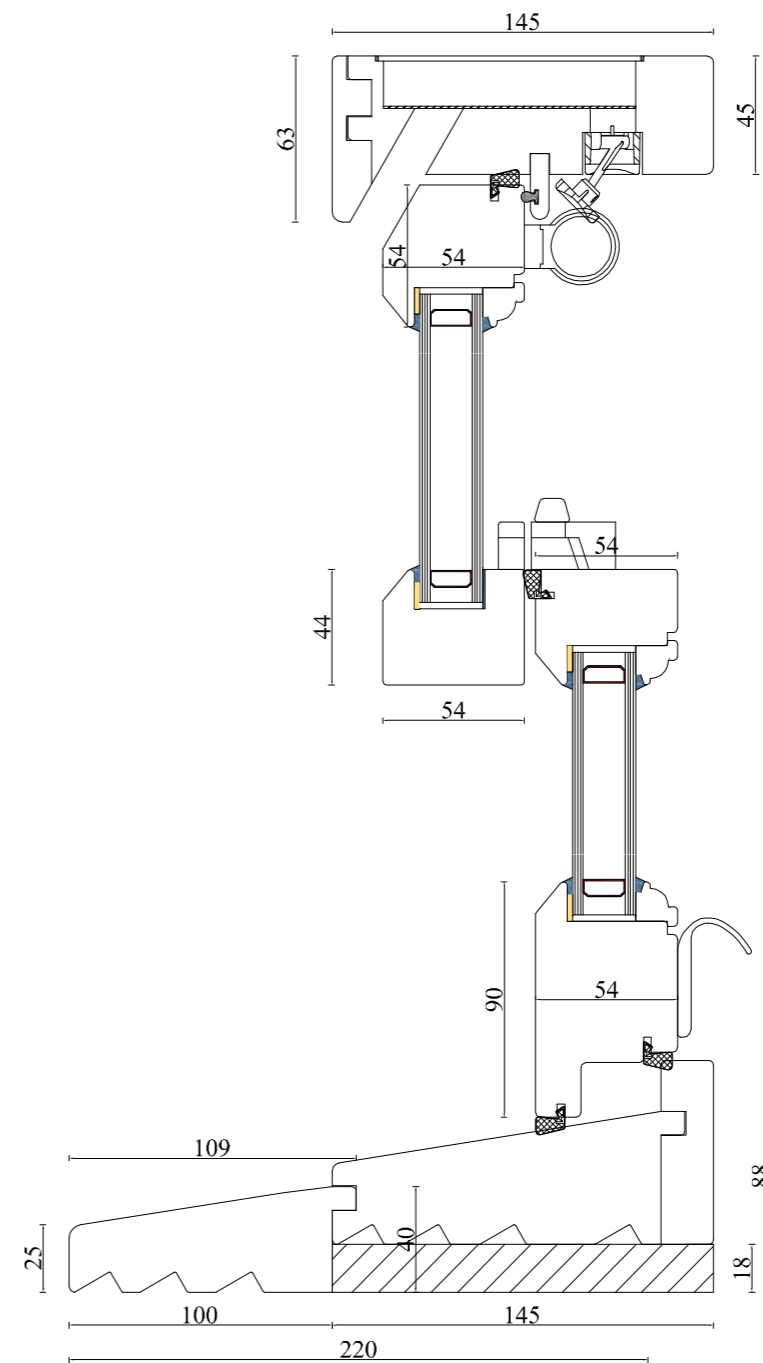
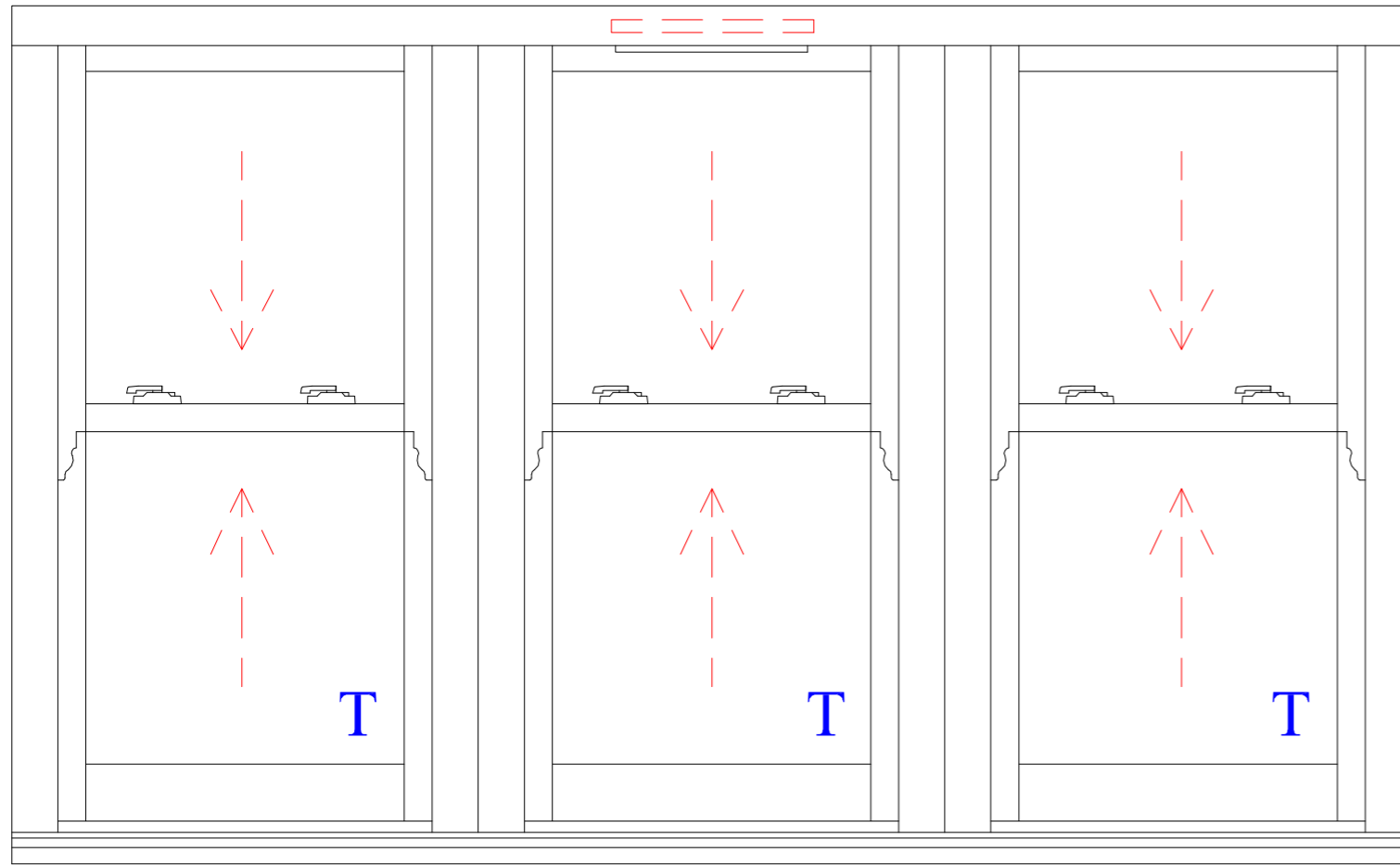


1 PROPOSED SIDE NORTH ELEVATION

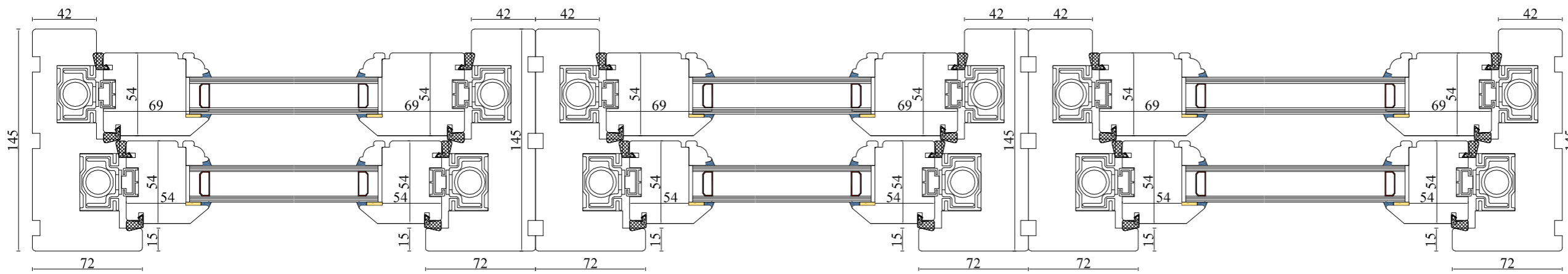


1 PROPOSED SIDE SOUTH ELEVATION

TYPE A



Section:B:B



Section:A:A

General Notes:

Colour
White (Ral 9010)

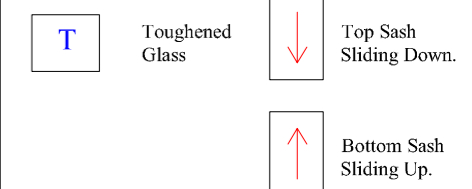
Frame & Sash
145mm Frame (Internal frame and staff beads to be manufactured from Softwood) (Sill to be manufactured from Sapele hardwood) with 54mm Sliding Sash (Sash and glazing beads to be manufactured from Softwood)

Glazing
Outer = 4mm Pilkington Optifloat Clear Tuf
Cavity= 16mm Argon Filled Cavity With Black Ultimate SwissV Warm Edge Spacer Bar
Inner = 4mm Pilkington K Glass S Tuf

Ironmongery
1No gold locking fitch fastener & 1No Non locking fitch fastener, 2No Gold Caldwell angel ventlock restrictors with 2No Gold metal strike plates, 2No Gold Caldwell sash lifts, 1No Gold Caldwell ring pulls, caldwell spiral balances.

- Notes**
- All Elevations Viewed from the outside.
 - "London" Sash horn detail to be used on top sash

Drawing Key



Rev: Date: Description:



Grady Joinery
Charlestown,
Co Mayo,
Ireland
Tel: +353 (0)94 92 91000
Fax: +353 (0)94 9254355
Email: info@gradyjoinery.com

Client:

GODFREY
CONSTRUCTION

Job Reference:

11 Fitzjohns Avenue
London NW3 5JY

Drawing Name:

Window Type 1.4
4th Floor Windows
Batch 1

Status:

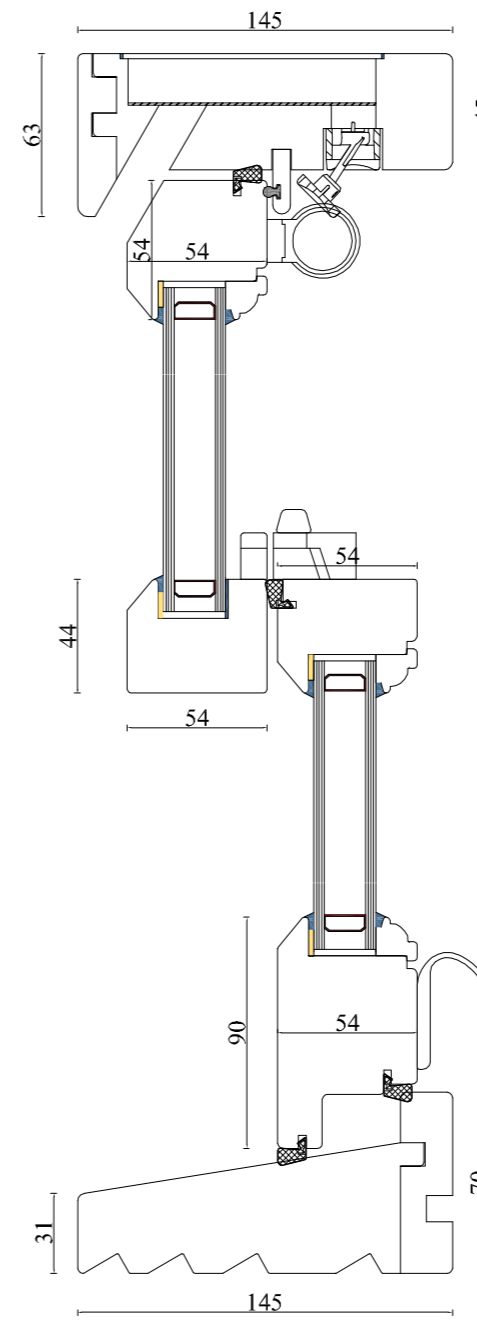
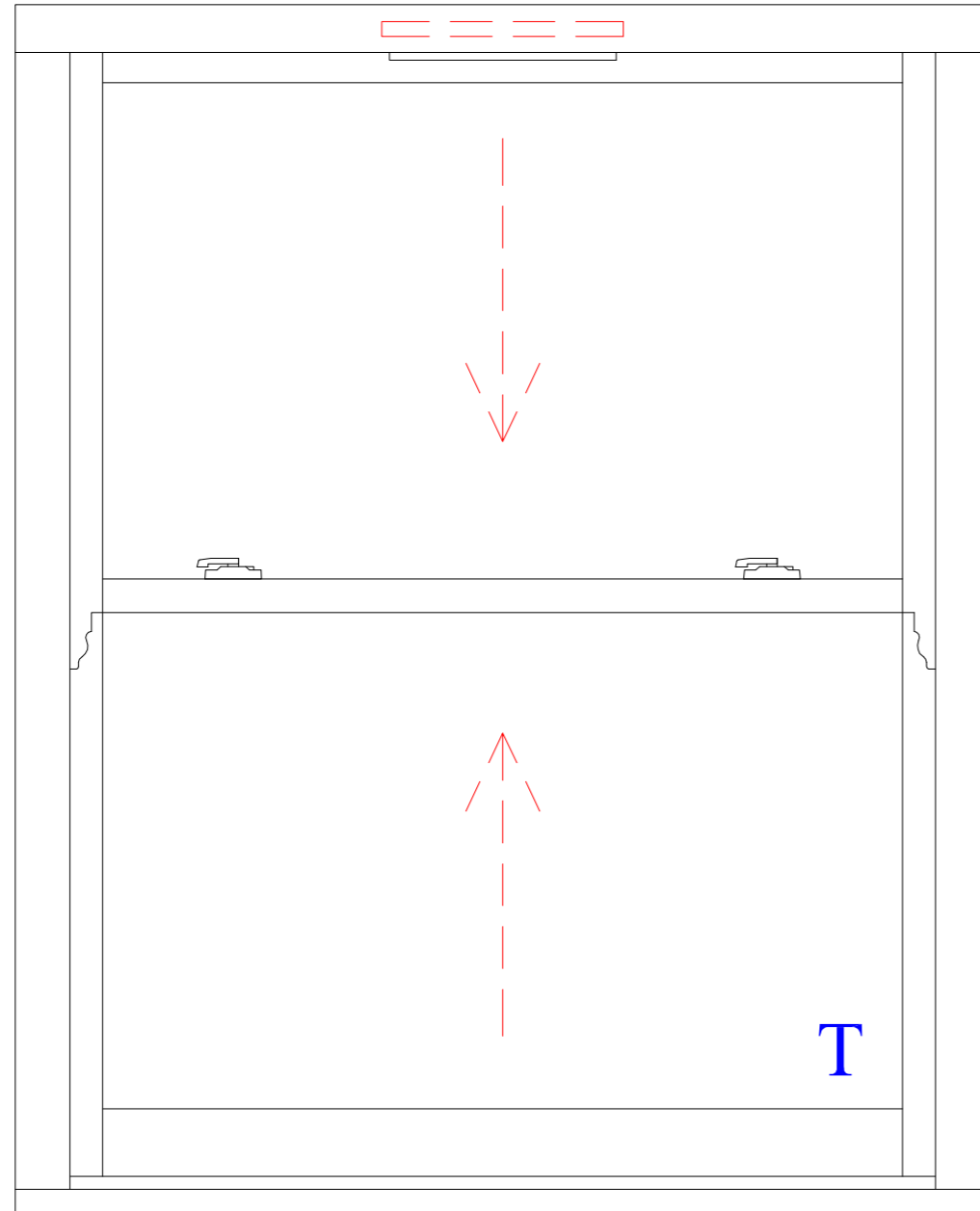
ISSUED-FOR-APPROVAL

Drawn: K.E Date: 17.07.17

Dwg No. GJ64-01-02 Rev.

Window No	Location	Room	Type	Description	Width	Height	Safety Glass	OBS	Vent	Notes	Approval For Production
W-01-04	Fourth	Lounge/Dining Unit 10	1.4	Triple Timba tilt sliding sash	2185	1340	N/A	N/A	Yes		Agreed Size 12-07-17

TYPE B



Section:B:B



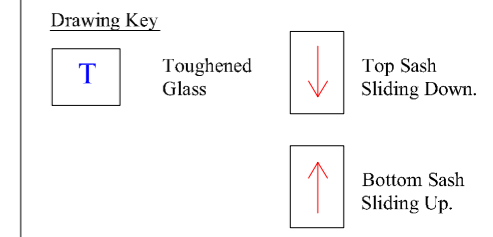
Section:A:A

General Notes:

Colour
White (Ral 9010)
Frame & Sash
145mm Frame (Internal frame and staff beads to be manufactured from Softwood) (Sill to be manufactured from Sapele hardwood) with 54mm Sliding Sash (Sash and glazing beads to be manufactured from Softwood)
Glazing
Outer = 4mm Pilkington Optifloat Clear Tuf
Cavity= 16mm Argon Filled Cavity With Black Ultimate SwissV Warm Edge Spacer Bar
Inner = 4mm Pilkington K Glass S Tuf

Ironmongery
1No gold locking fitch fastener & 1No Non locking fitch fastener, 2No Gold Caldwell angel ventlock restrictors with 2No Gold metal strike plates, 2No Gold Caldwell sash lifts, 1No Gold Caldwell ring pulls, caldwell spiral balances.

- Notes**
- All Elevations Viewed from the outside.
 - "London" Sash horn detail to be used on top sash.



Rev:	Date:	Description:
------	-------	--------------



Grady Joinery
Charlestown,
Co Mayo,
Ireland
Tel: +353 (0)94 92 91000
Fax: +353 (0)94 9254355
Email: info@gradyjoinery.com



Job Reference:
11 Fitzjohns Avenue
London NW3 5JY

Drawing Name:
Window Type 1.1
3rd Floor Windows
Batch 1

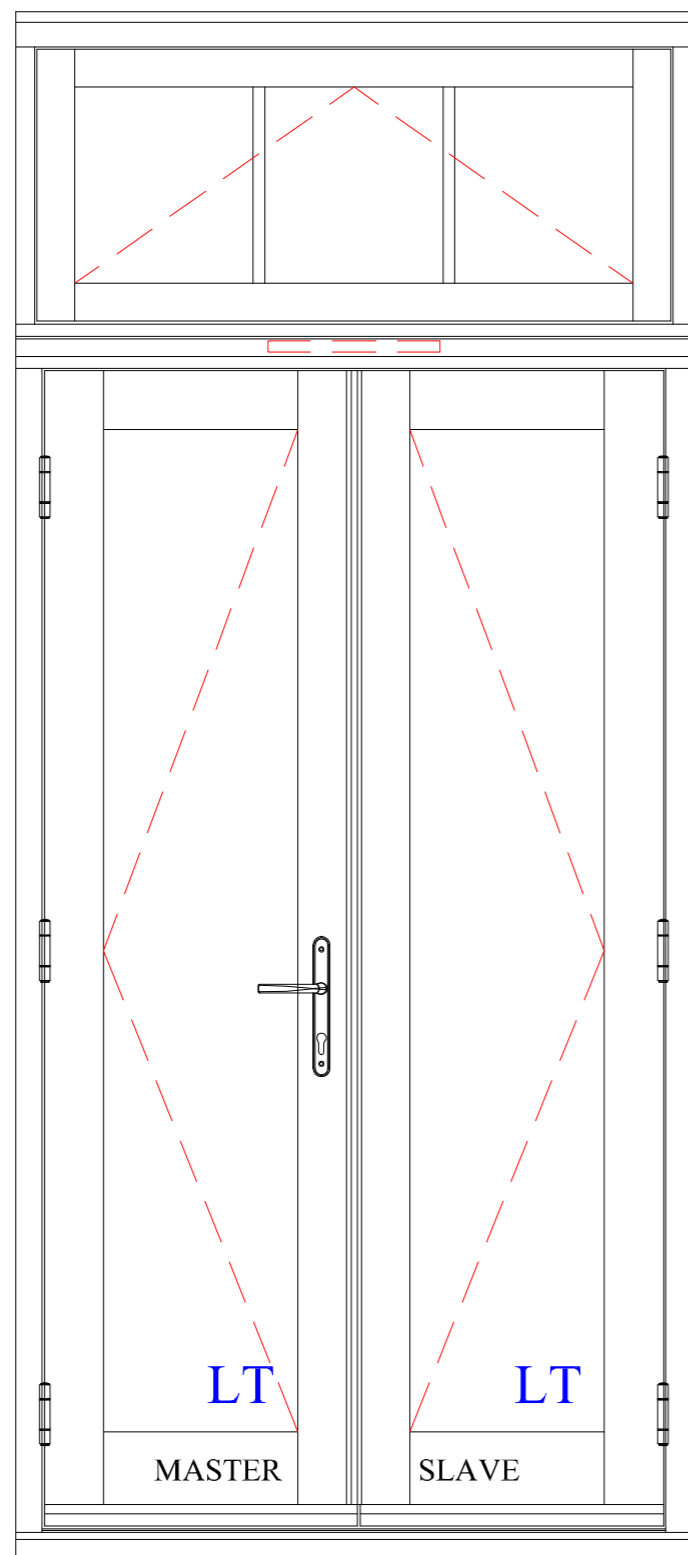
Status:
ISSUED-FOR-APPROVAL

Drawn: K.E Date: 17.07.17

Dwg No. GJ64-01-04 Rev.

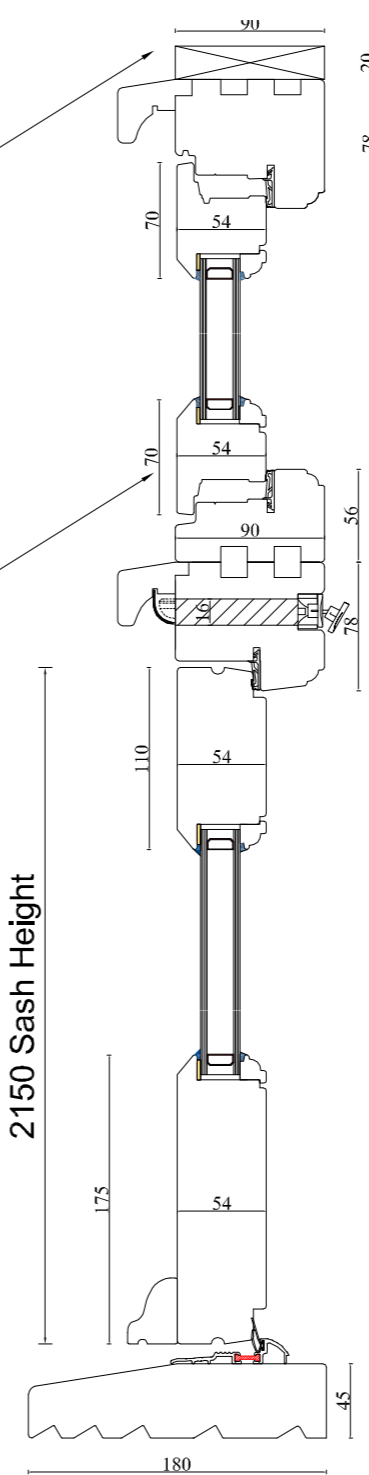
Window No	Location	Room	Type	Description	Width	Height	Safety Glass	OBS	Vent	Notes	Approval For Production
W-01-03	Third	Bed 1 Unit 10	1.1	Single Timba Tilt Sliding Sash	1290	1600	N/A	N/A	Yes		Approved 29/06/17
W-02-03	Third	Bed 1 Unit 10	1.1	Single Timba Tilt Sliding Sash	1290	1600	N/A	N/A	Yes		Approved 29/06/17
W-03-03	Third	Bed 2 Unit 9	1.1	Single Timba Tilt Sliding Sash	1290	1600	N/A	N/A	Yes		Approved 29/06/17

TYPE C

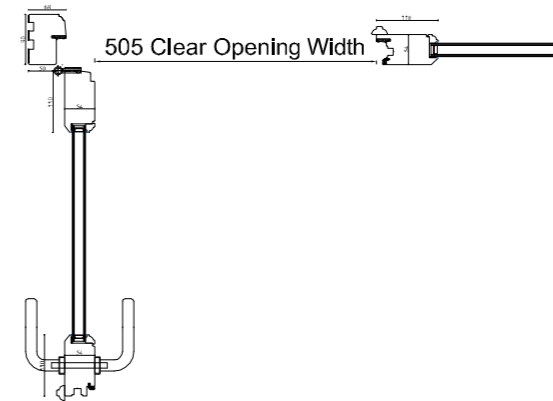
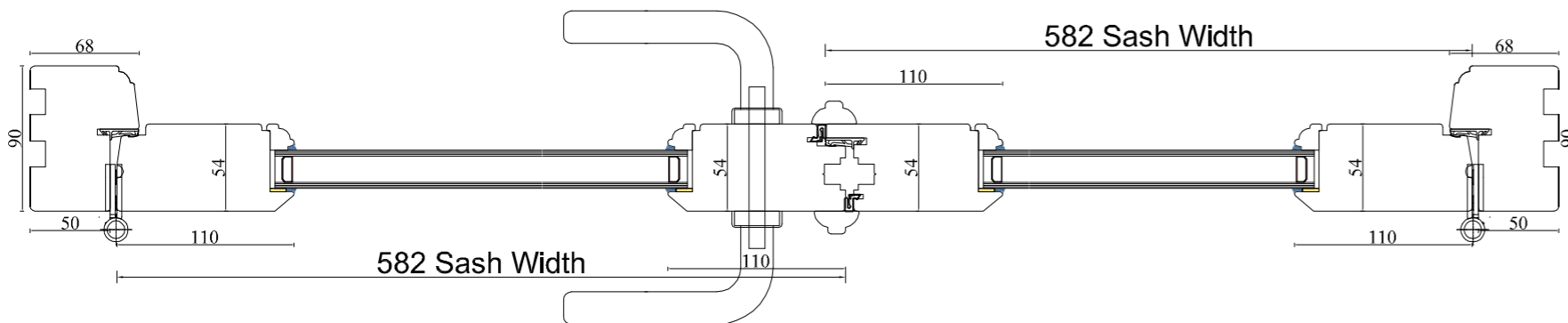


20mm Packer to be fitted to head of casement

Fan-light to be fitted to head in the factory



Section:B:B



General Notes:

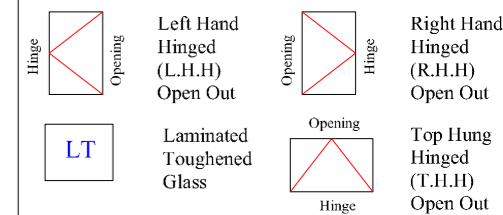
- Colour**
- Frame Colour**
Ral 9010 (White) Internally & Externally
- Sash Colour**
Ral 9010 (White) Internally & Externally
- Frame**
90mm Softwood frame
- Window Sash**
54mm Softwood sash
- Door Ironmongery**
3x Guardian Butt Hinges with white cover plate to each sash, GU Secury slam locking system with fapim shootbolt fitted to slave sash only. Brass lever/lever handle, Full cylinder thumb turn internally, Exitex open out Low Threshold. White trickle vent fitted in head above door
- Window Ironmongery**
Trojan mega egress hinge, Yale encloser easpag locking system 22mm backset, Gold Handles, restrictors fitted to all opening sashes
- Glazing**
Outer = 4mm Float
Cavity = 16mm Argon Filled Cavity With Black Warm Edge Spacer Bar
Inner = 4mm Low-e

6.4mm laminated safety glass to door sashes only

Notes

- All Elevations Viewed from the outside.

Drawing Key



Rev: Date: Description:



Grady Joinery
Charlestown,
Co Mayo, Ireland
Tel: +353 (0)94 92 91000
Fax: +353 (0)94 9254355
Email: info@gradyjoinery.com

Client:



Job Reference:

11 Fitzjohns Avenue
London NW3 5JY

Drawing Name:

Door Type 2.1
2nd Floor Doors

Status:

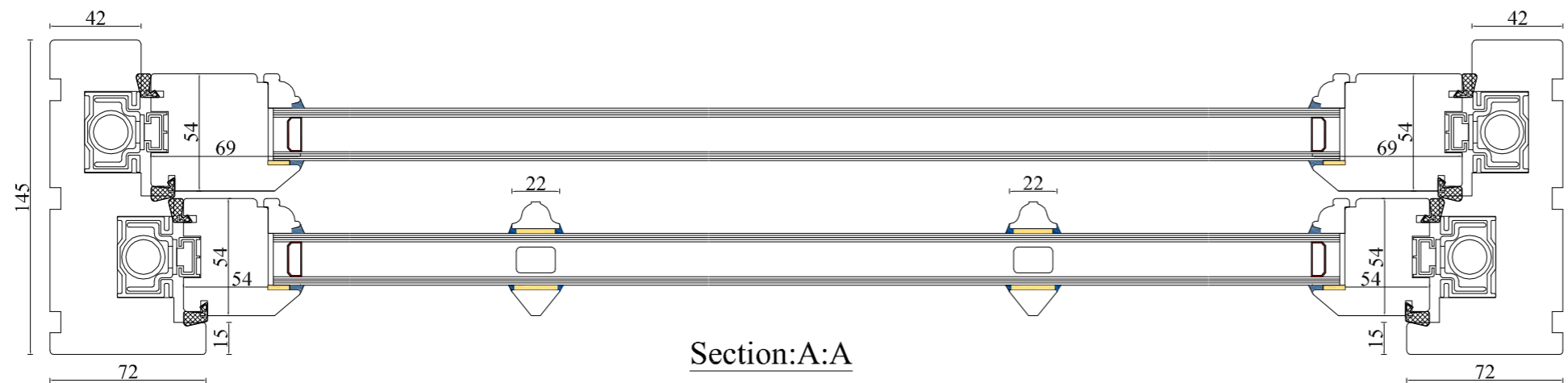
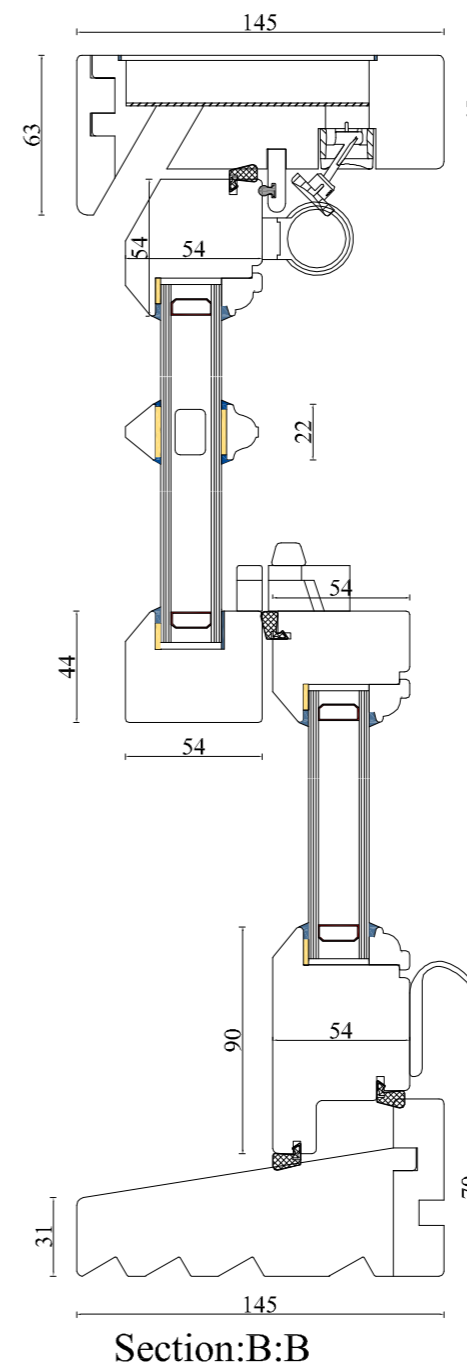
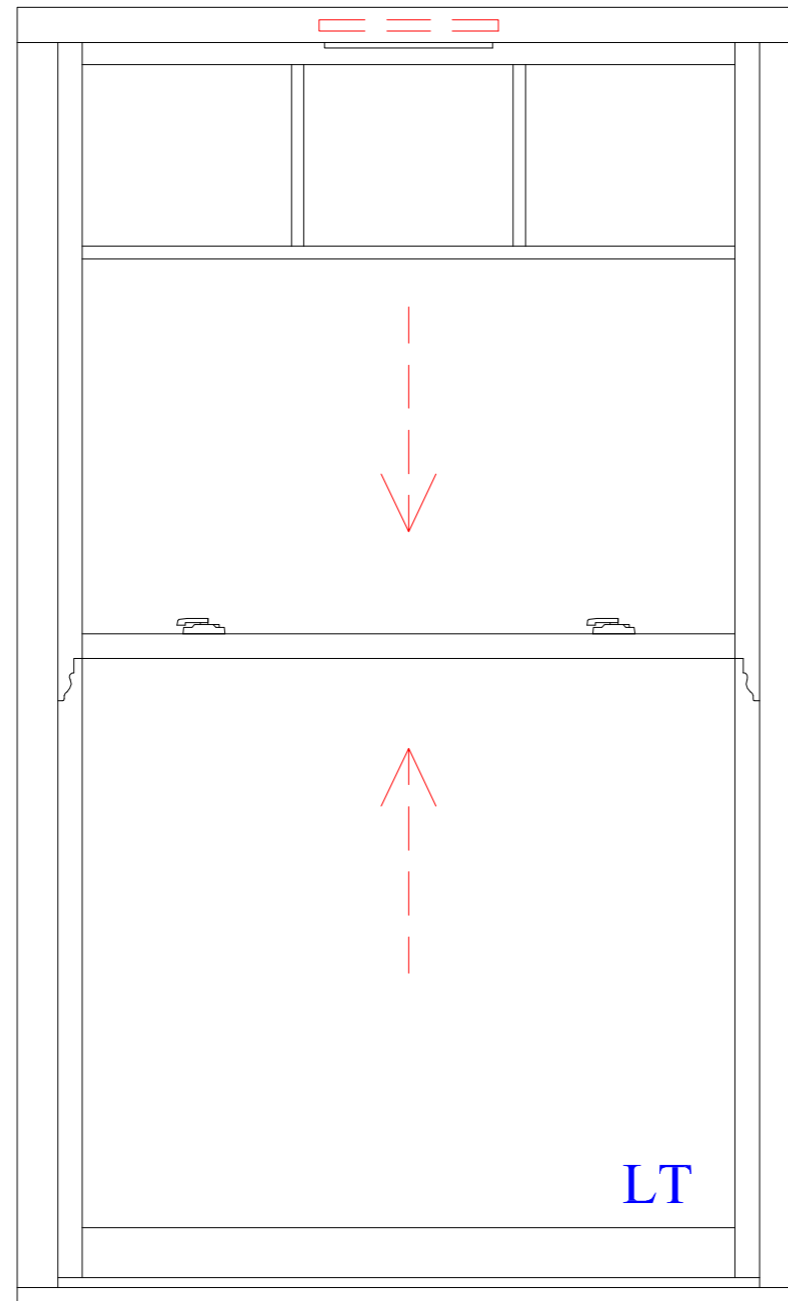
ISSUED-FOR-APPROVAL

Drawn: K.E Date: 17.07.17

Dwg No. GJ64-01-15 Rev.

Window No	Location	Room	Type	Description	Width	Height	Door Height	Safety Glass	OBS	Vent	Hinged	Opening	Batch No	Approval For Production
W-01-02	Second	Bed 1 Unit 7	2.1	Double door with flush casement fan-light	1260	2935	2150	Door Only	N/A	Yes	Double	Open Out	Batch 1	Approved 17/07/17
W-02-02	Second	Bed 2 Unit 7	2.1	Double door with flush casement fan-light	1260	2935	2150	Door Only	N/A	Yes	Double	Open Out	Batch 1	Approved 17/07/17
W-03-02	Second	Bed 2 Unit 7	2.1	Double door with flush casement fan-light	1260	2935	2150	Door Only	N/A	Yes	Double	Open Out	Batch 1	Approved 17/07/17

TYPE D



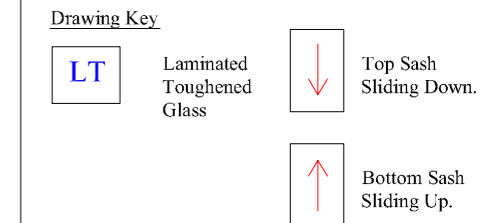
General Notes:

- Colour**
White (Ral 9010)
- Frame & Sash**
145mm Frame (Internal frame and staff beads to be manufactured from Softwood) (Sill to be manufactured from Sapele hardwood) with 54mm Sliding Sash (Sash and glazing beads to be manufactured from Softwood)
- Glazing**
Outer = 4mm Pilkington Optifloat Clear Tuf
Cavity = 16mm Argon Filled Cavity With Black Ultimate SwissV Warm Edge Spacer Bar
Inner = 4mm Pilkington K Glass S Tuf

6.4mm Laminated safety glass to lower sash only

- Ironmongery**
1 No gold locking fitch fastener & 1 No Non locking fitch fastener, 2 No Gold Caldwell angel ventlock restrictors with 2 No Gold metal strike plates, 2 No Gold Caldwell sash lifts, 1 No Gold Caldwell ring pulls, caldwell spiral balances.

- Notes**
- All Elevations Viewed from the outside.
 - "London" Sash horn detail to be used on top sash



Rev: Date: Description:



Grady Joinery
Charlestown,
Co Mayo,
Ireland

Tel: +353 (0)94 92 91000
Fax: +353 (0)94 9254355
Email: info@gradyjoinery.com

Client:

GODFREY
CONSTRUCTION

Job Reference:

**11 Fitzjohns Avenue
London NW3 5JY**

Drawing Name:

**Window Type 1.3
2nd Floor Windows
Batch 1**

Status:

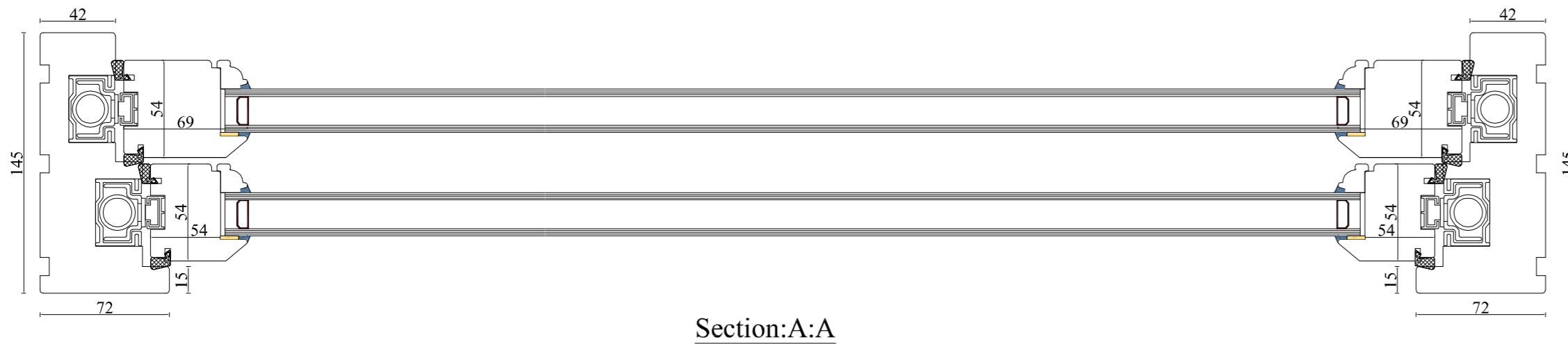
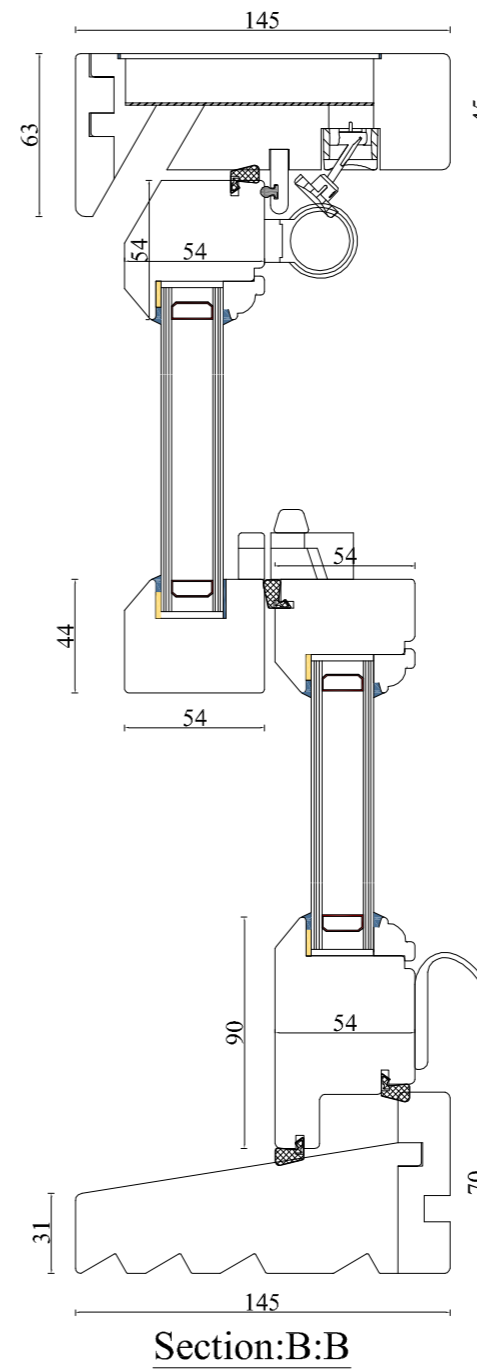
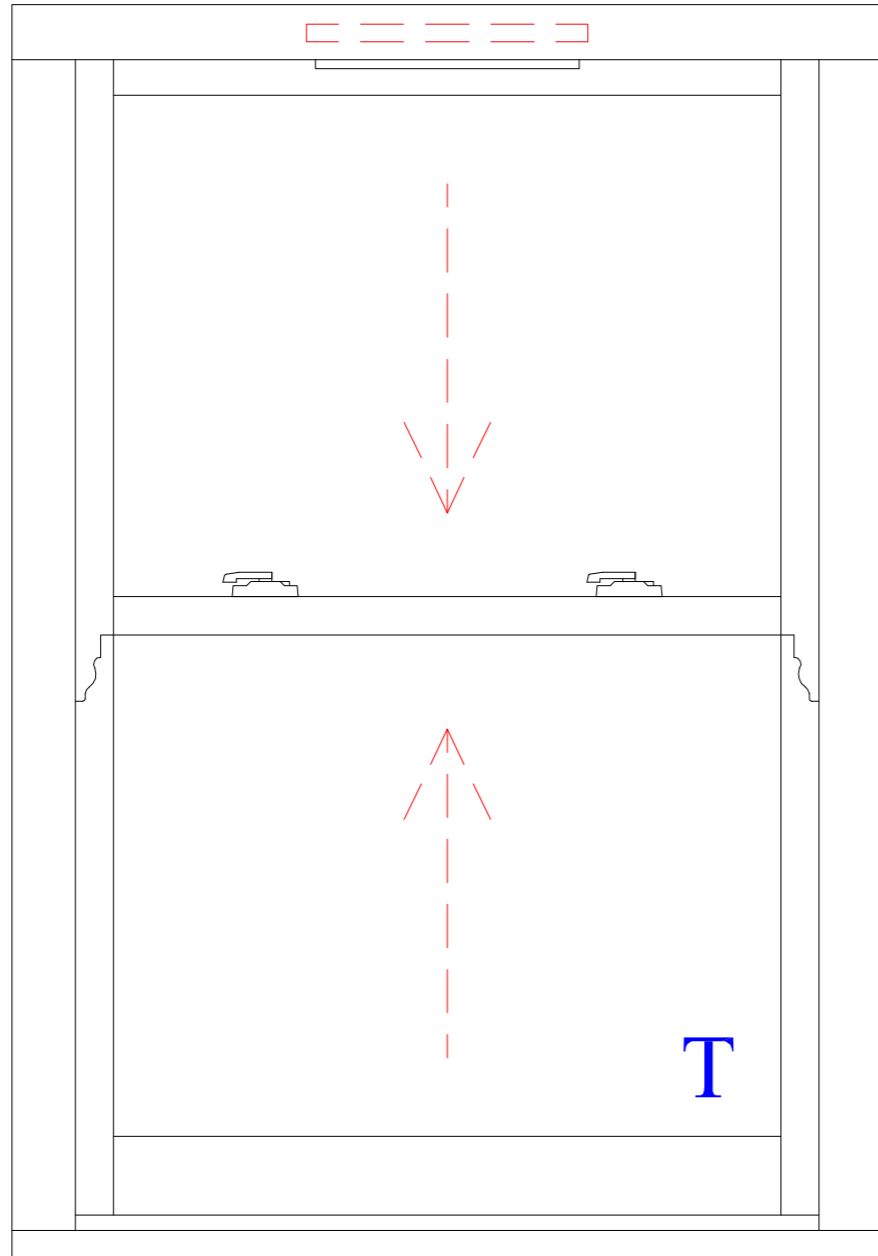
ISSUED-FOR-APPROVAL

Drawn: K.E Date: 17.07.17

Dwg No. GJ64-01-12 Rev.

Window No	Location	Room	Type	Description	Width	Height	Safety Glass	OBS	Vent	Notes	Approval For Production
W-05-02	Second	Lounge/Dining Unit 7	1.3	Single Timba Tilt Sliding Sash (Astragal Bar)	1395	2315	Lower Pane	N/A	Yes	Astragal Bar Lower Sash Not Fixed	Approved 29/06/17

TYPE E



General Notes:

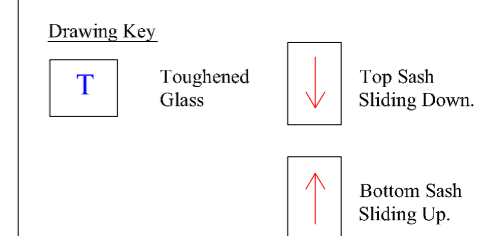
Colour
White (Ral 9010)

Frame & Sash
145mm Frame (Internal frame and staff beads to be manufactured from Softwood) (Sill to be manufactured from Sapele hardwood) with 54mm Sliding Sash (Sash and glazing beads to be manufactured from Softwood)

Glazing
Outer = 4mm Pilkington Optifloat Clear Tuf
Cavity = 16mm Argon Filled Cavity With Black Ultimate SwissV Warm Edge Spacer Bar
Inner = 4mm Pilkington K Glass S Tuf

Ironmongery
1No gold locking fitch fastener & 1No Non locking fitch fastener, 2No Gold Caldwell angel ventlock restrictors with 2No Gold metal strike plates, 2No Gold Caldwell sash lifts, 1No Gold Caldwell ring pulls, caldwell spiral balances.

- Notes**
- All Elevations Viewed from the outside.
 - "London" Sash horn detail to be used on top sash



Rev:	Date:	Description:
------	-------	--------------



Grady Joinery
Charlestown,
Co Mayo,
Ireland

Tel: +353 (0)94 92 91000
Fax: +353 (0)94 9254355
Email: info@gradyjoinery.com

Client:

GODFREY
CONSTRUCTION

Job Reference:

**11 Fitzjohns Avenue
London NW3 5JY**

Drawing Name:

**Window Type 1.1
3rd Floor Windows
Batch 1**

Status:

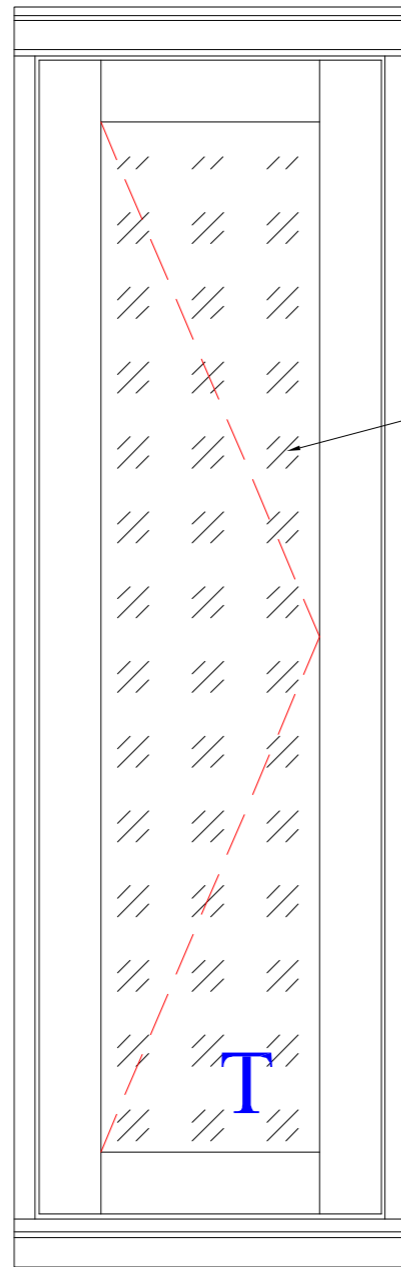
ISSUED-FOR-APPROVAL

Drawn: K.E	Date: 17.07.17
------------	----------------

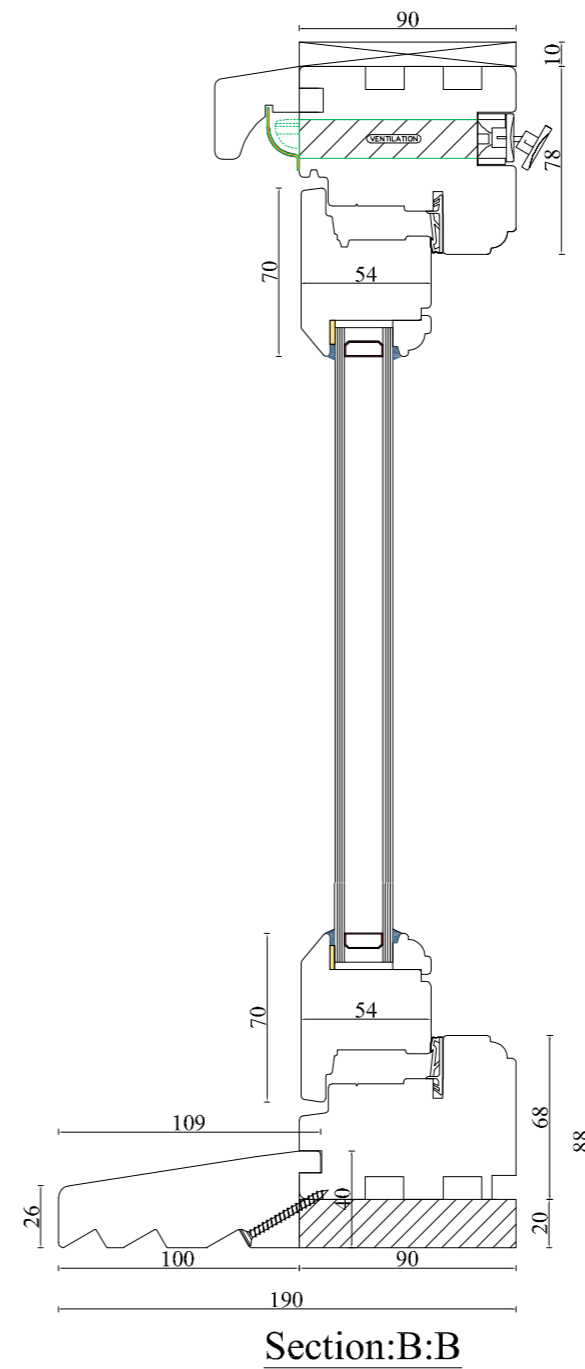
Dwg No. GJ64-01-08	Rev.
--------------------	------

Window No	Location	Room	Type	Description	Width	Height	Safety Glass	OBS	Vent	Notes	Approval For Production
W-07-03	Third	Kitchen Unit 12	1.1	Single Timba Tilt Sliding Sash	990	1425	N/A	N/A	Yes		TBA

TYPE F



Satin OBS glass



Section:B:B



Section:A:A

General Notes:

Colour

Ral 9010 (White)

Frame

90mm sapele hardwood frame with 54mm sapele hardwood sash, Sill extension to be manufactured from accoya

Glazing

Outer = 4mm Pilkington Optifloat Satin Tuf
 Cavity= 16mm Argon Filled Cavity With Black Ultimate SwissV Warm Edge Spacer Bar
 Inner = 4mm Pilkington K Glass S Tuf

Ironmongery

Trojan mega egress hinge, Yale encloser easpag locking system 22mm backset, Gold avocet Handles, restrictors fitted to all opening sashes Titon XR16 trickle vent fitted in head

Notes

- All Elevations Viewed from the outside.

Drawing Key

	Toughened Glass		Satin Obscure Glass
	Right Hand Hinged Open Out		

Rev: Date: Description:



Grady Joinery
 Charlestown,
 Co Mayo, Ireland
 Tel: +353 (0)94 92 91000
 Fax: +353 (0)94 9254355
 Email: info@gradyjoinery.com

Client:



Job Reference:

11 Fitzjohns Avenue
 London NW3 5JY

Drawing Name:

Window Type 2.5
 3rd Floor Windows
 Batch 1

Status:

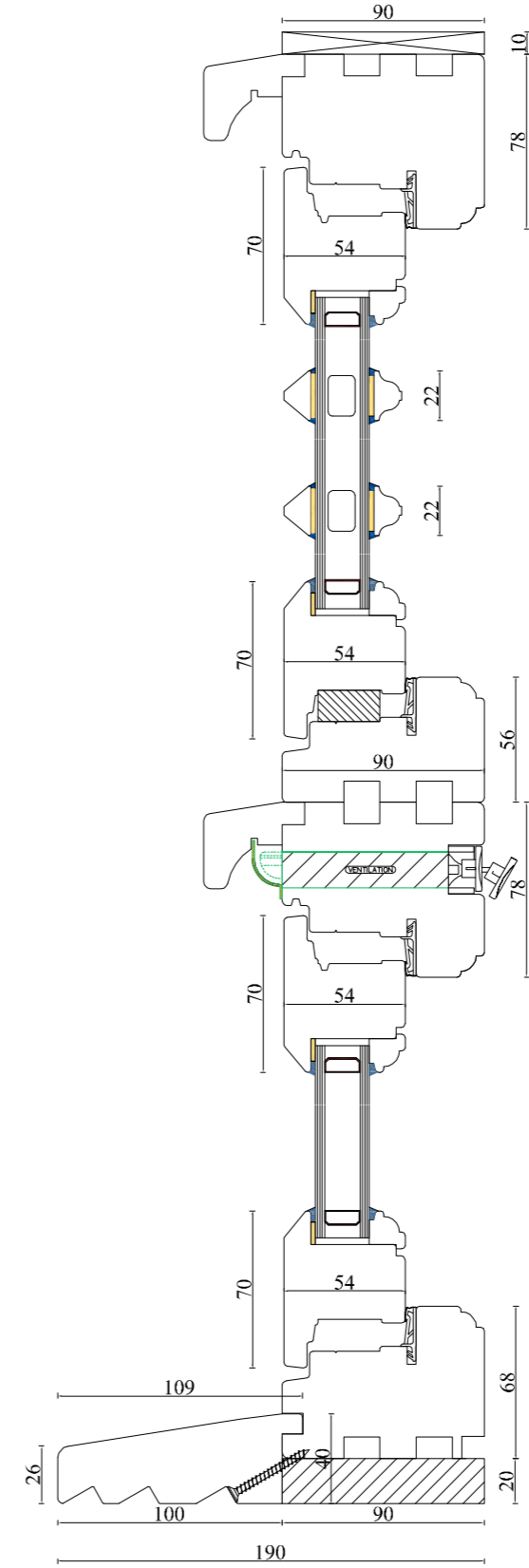
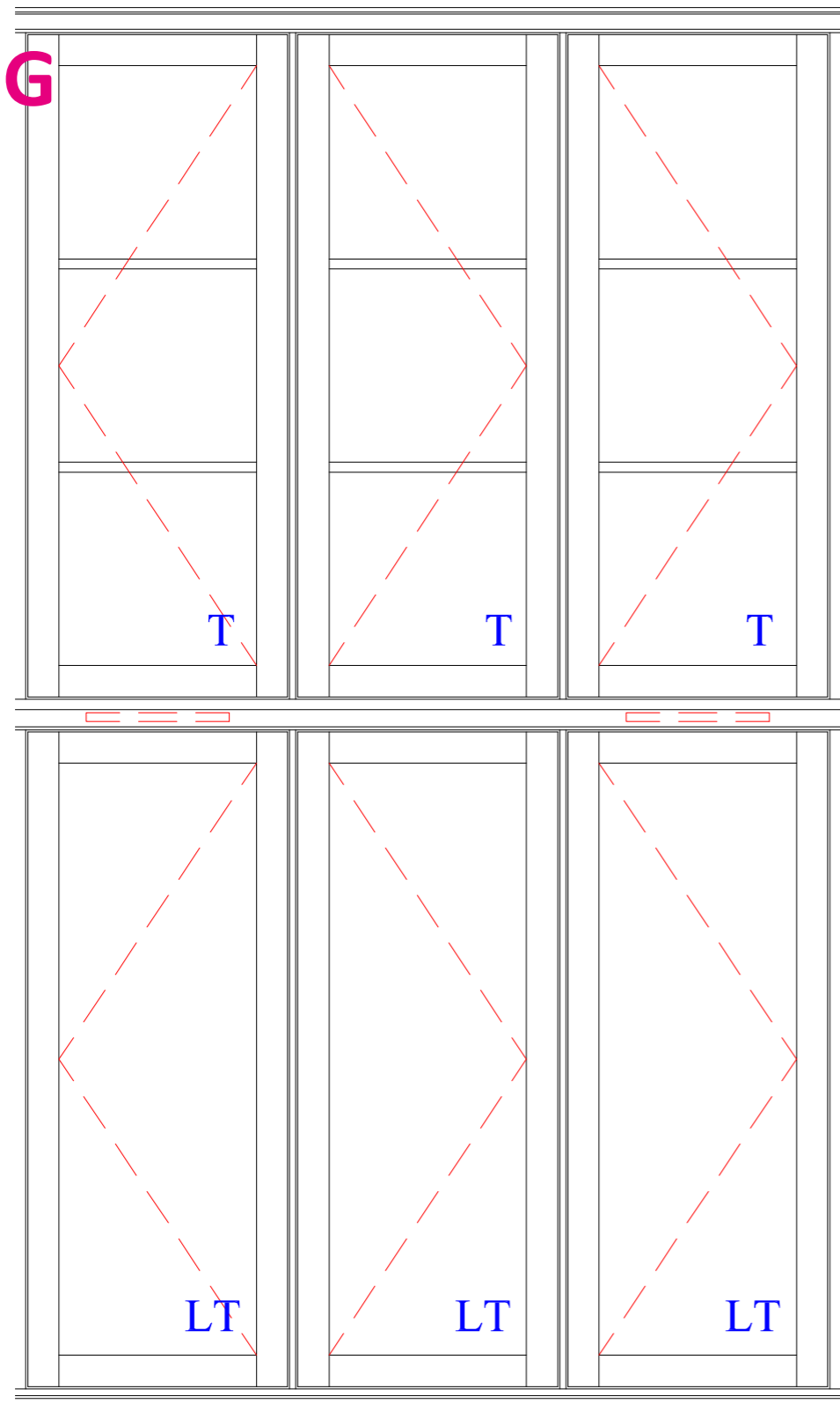
ISSUED-FOR-APPROVAL

Drawn: K.E Date: 17.07.17

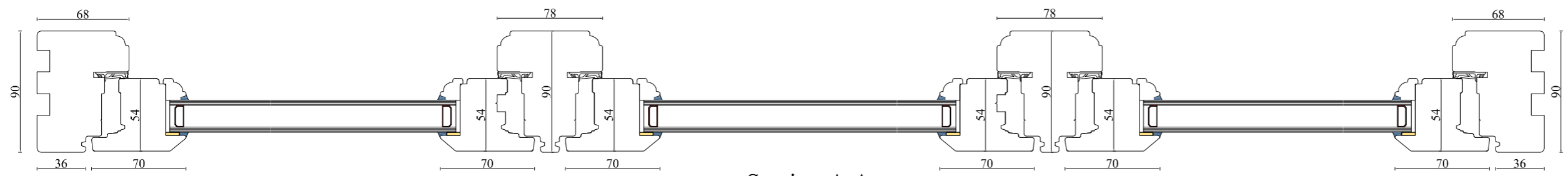
Dwg No. GJ64-01-06 Rev.

Window No	Location	Room	Type	Description	Width	Height	Safety Glass	OBS	Vent	Notes	Approval For Production
W-05-03	Third	En-Suite Bed 1 Unit 9	2.5	Single Flush Casement	445	1430	N/A	Full	Yes		Approved 29/06/17

TYPE G



Section:B:B



Section:A:A

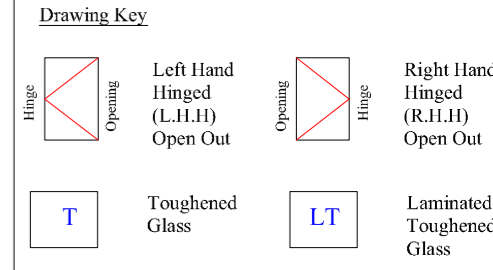
General Notes:

- Colour**
- Frame Colour**
Ral 9010 (White) Internally & Externally
- Sash Colour**
Ral 9010 (White) Internally & Externally
- Frame**
90mm Softwood frame
- Window Sash**
54mm Softwood sash
- Door Ironmongery**
Trojan mega egress hinge, Yale encloser easpag locking system 22mm backset, Gold Handles, restrictors fitted to all opening sashes white trickle vent fitted in head.

- Glazing**
Outer = 4mm Float Tough
Cavity = 16mm Argon Filled Cavity With Black Warm Edge Spacer Bar
Inner = 4mm Low-e Tough

6.4mm laminated safety glass to bottom opening units only

- Notes**
- All Elevations Viewed from the outside.



Rev:	Date:	Description:
------	-------	--------------

Grady Joinery

Grady Joinery
Charlestown,
Co Mayo,
Ireland
Tel: +353 (0)94 92 91000
Fax: +353 (0)94 9254355
Email: info@gradyjoinery.com



Job Reference:
11 Fitzjohns Avenue
London NW3 5JY

Drawing Name:
Window Type 2.6
Triple Flush Casement
3rd Floor Windows
Batch 1

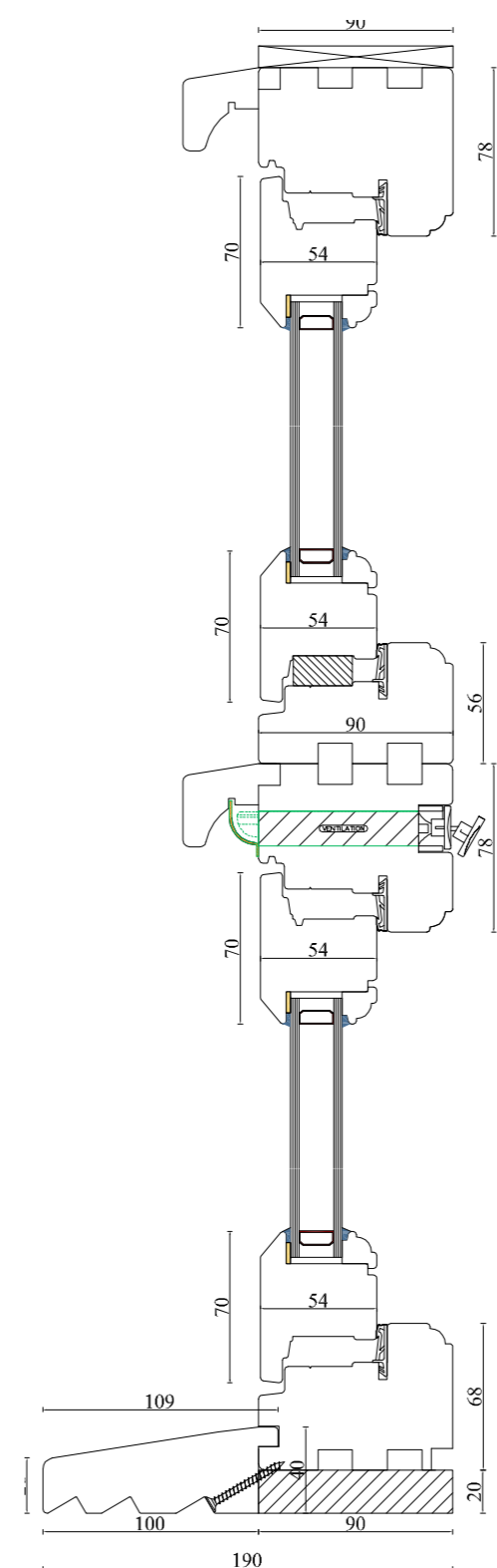
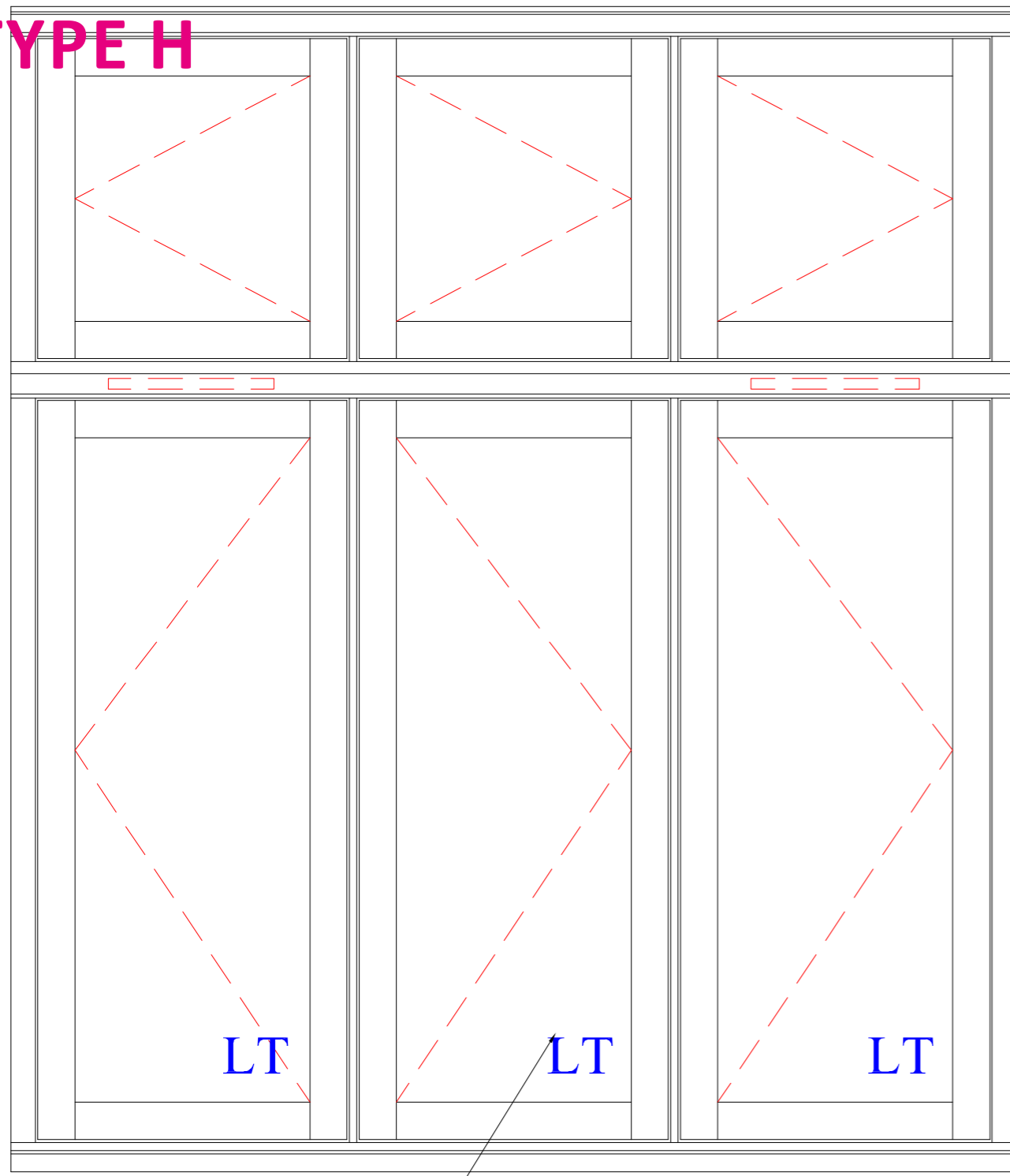
Status:
ISSUED-FOR-APPROVAL

Drawn: K.E Date: 17.07.17

Dwg No. GJ64-01-07 Rev.

Window No	Location	Room	Type	Description	Width	Height	Safety Glass	OBS	Vent	Notes	Approval For Production
W-06-03	Third	Stairwell	2.6	Triple flush casement with large fan-light	1870	3145	Bottom Units	N/A	Yes		Genarro Approved 12/07/17

TYPE H



Section:B:B

Section:B:B



General Notes:

Colour

Frame Colour

Ral 9010 (White) Internally & Externally

Sash Colour

Ral 9010 (White) Internally & Externally

Frame

90mm Softwood frame

Window Sash

54mm Softwood sash

Door Ironmongery

Trojan mega egress hinge, Yale enclosure easpag locking system 22mm backset, Gold Handles, restrictors fitted to all opening sashes
2no white trickle vent fitted in head.

Glazing

Outer = 4mm Float

Cavity = 16mm Argon Filled Cavity With Black Warm Edge Spacer Bar

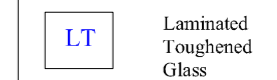
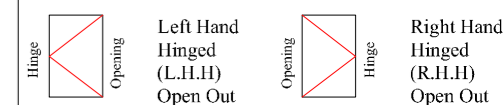
Inner = 4mm Low-e

6.4mm laminated safety glass to bottom opening units only

Notes

- All Elevations Viewed from the outside.

Drawing Key



Rev: Date: Description:



Grady Joinery
Charlestown,
Co Mayo,
Ireland

Tel: +353 (0)94 92 91000
Fax: +353 (0)94 9254355
Email: info@gradyjoinery.com

Client:



Job Reference:

11 Fitzjohns Avenue
London NW3 5JY

Drawing Name:

Window Type 2.7
Triple Flush Casement
2nd Floor Windows

Status:

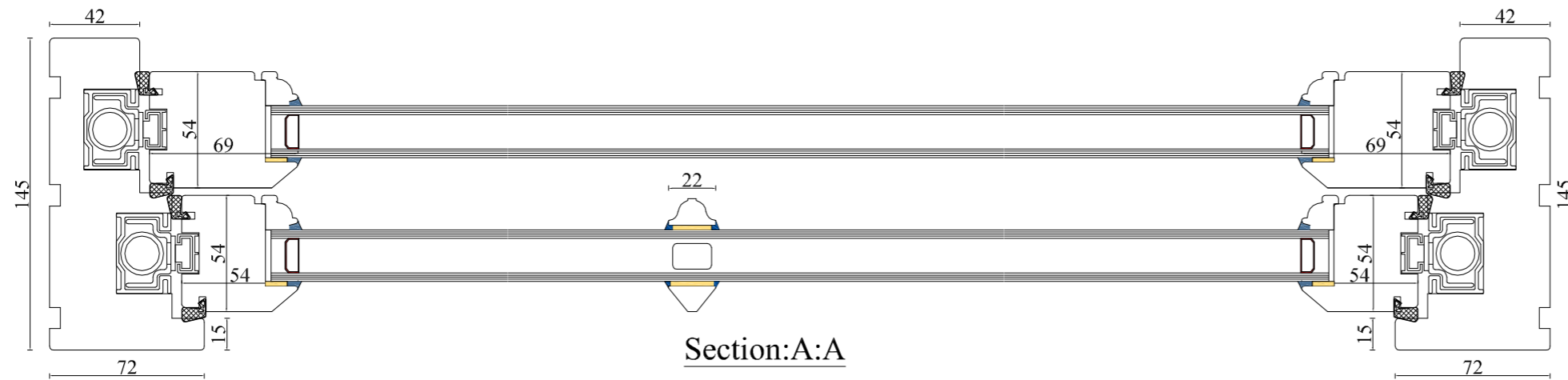
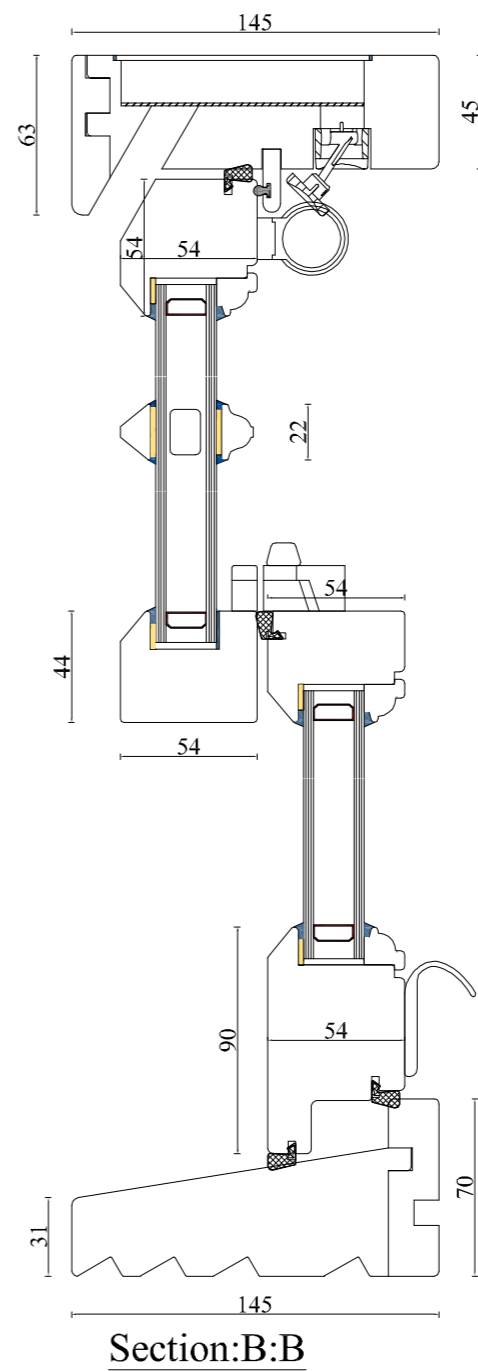
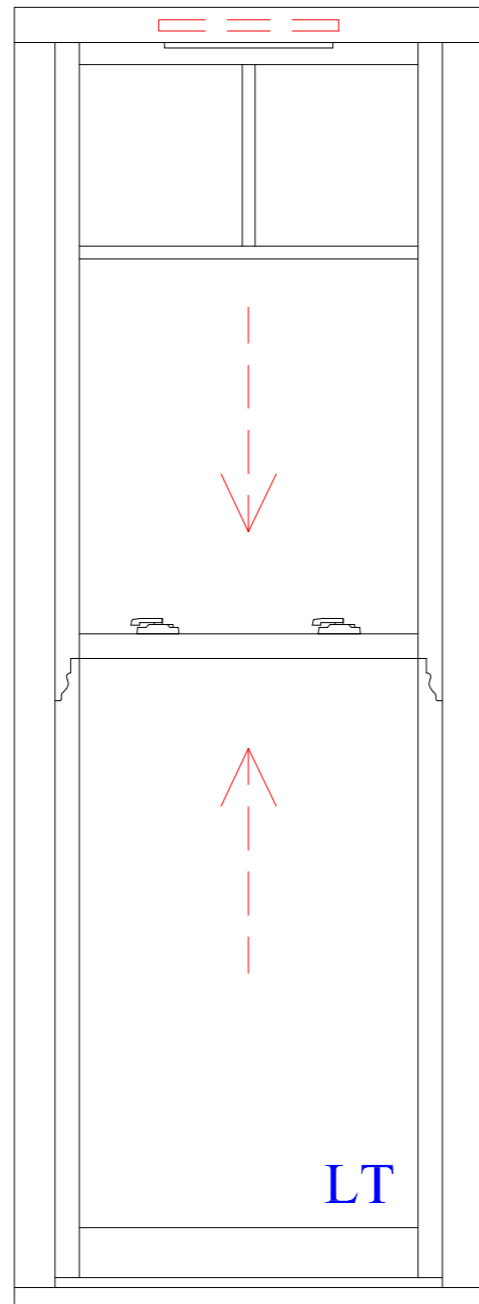
ISSUED-FOR-APPROVAL

Drawn: K.E Date: 17.07.17

Dwg No. GJ64-01-14 Rev.

Window No	Location	Room	Type	Description	Width	Height	Safety Glass	OBS	Vent	Hinged	Opening	Notes	Approval For Production
W-07-02	Second	Stairwell	2.7	Triple flush casement window with fan-light	1890	2190	Lower Pane	N/A	Yes	Triple	Out	Sashes Sent Loose	Genarro Agreed 12-07-17

TYPE I



General Notes:

Colour

White (Ral 9010)

Frame & Sash

145mm Frame (Internal frame and staff beads to be manufactured from Softwood) (Sill to be manufactured from Sapele hardwood) with 54mm Sliding Sash (Sash and glazing beads to be manufactured from Softwood)

Glazing

Outer = 4mm Pilkington Optifloat Clear Tuf
Cavity= 16mm Argon Filled Cavity With Black Ultimate SwissV Warm Edge Spacer Bar
Inner = 4mm Pilkington K Glass S Tuf

6.4mm Laminated safety glass to lower sash only

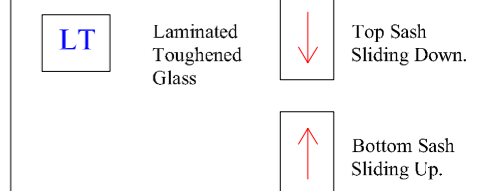
Ironmongery

1No gold locking fitch fastener & 1No Non locking fitch fastener, 2No Gold Caldwell angel ventlock restrictors with 2No Gold metal strike plates, 2No Gold Caldwell sash lifts, 1No Gold Caldwell ring pulls, caldwell spiral balances.

Notes

- All Elevations Viewed from the outside.
- "London" Sash horn detail to be used on top sash

Drawing Key



Rev: Date: Description:



Grady Joinery
Charlestown,
Co Mayo, Ireland
Tel: +353 (0)94 92 91000
Fax: +353 (0)94 9254355
Email: info@gradyjoinery.com

Client:

GODFREY
CONSTRUCTION

Job Reference:

11 Fitzjohns Avenue
London NW3 5JY

Drawing Name:

Window Type 1.2
2nd Floor Windows
Batch 1

Status:

ISSUED-FOR-APPROVAL

Drawn: K.E Date: 17.07.17

Dwg No. GJ64-01-11 Rev.

Window No	Location	Room	Type	Description	Width	Height	Safety Glass	OBS	Vent	Notes	Approval For Production
W-04-02	Second	Lounge/Dining Unit 7	1.2	Single Timba Tilt Sliding Sash (Astragal Bar)	835	2315	Lower Pane	N/A	Yes	Astragal Bar (Lower Sash Not Fixed)	Approved 29/06/17
W-06-02	Second	Lounge/Dining Unit 7	1.2	Single Timba Tilt Sliding Sash (Astragal Bar)	835	2315	Lower Pane	N/A	Yes	Astragal Bar (Lower Sash Not Fixed)	Approved 29/06/17