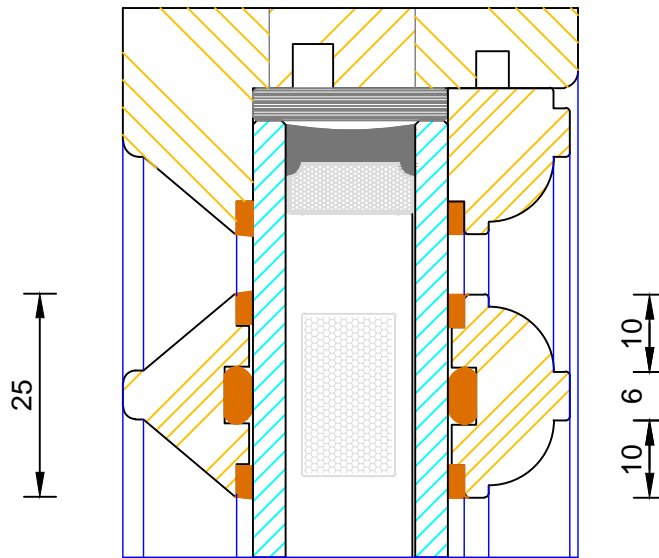
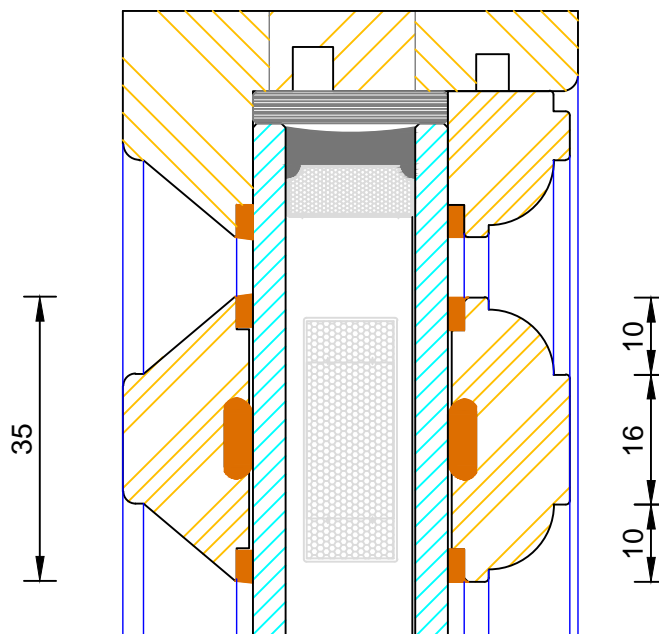


Traditional Sliding Sash Cords & Weights Cill Extension Options

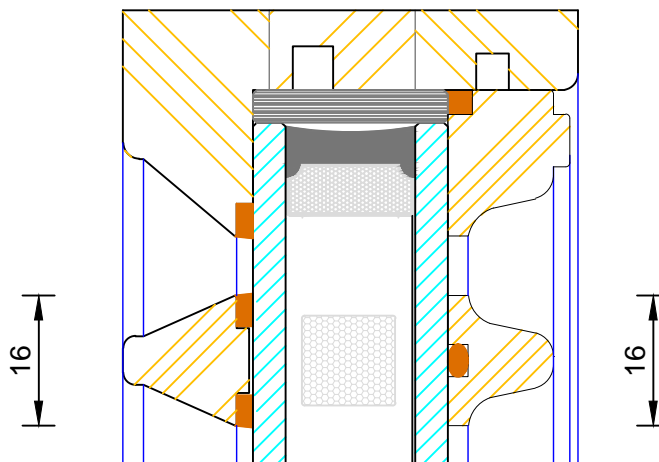
DIMENSIONS	PLOT SIZE	SCALE	DATE	REV	DWG NO.
MM	A4	1:1	24.02.2011	A	1901
Please consider the environment before printing					



STANDARD OVOLO 25MM WIDE

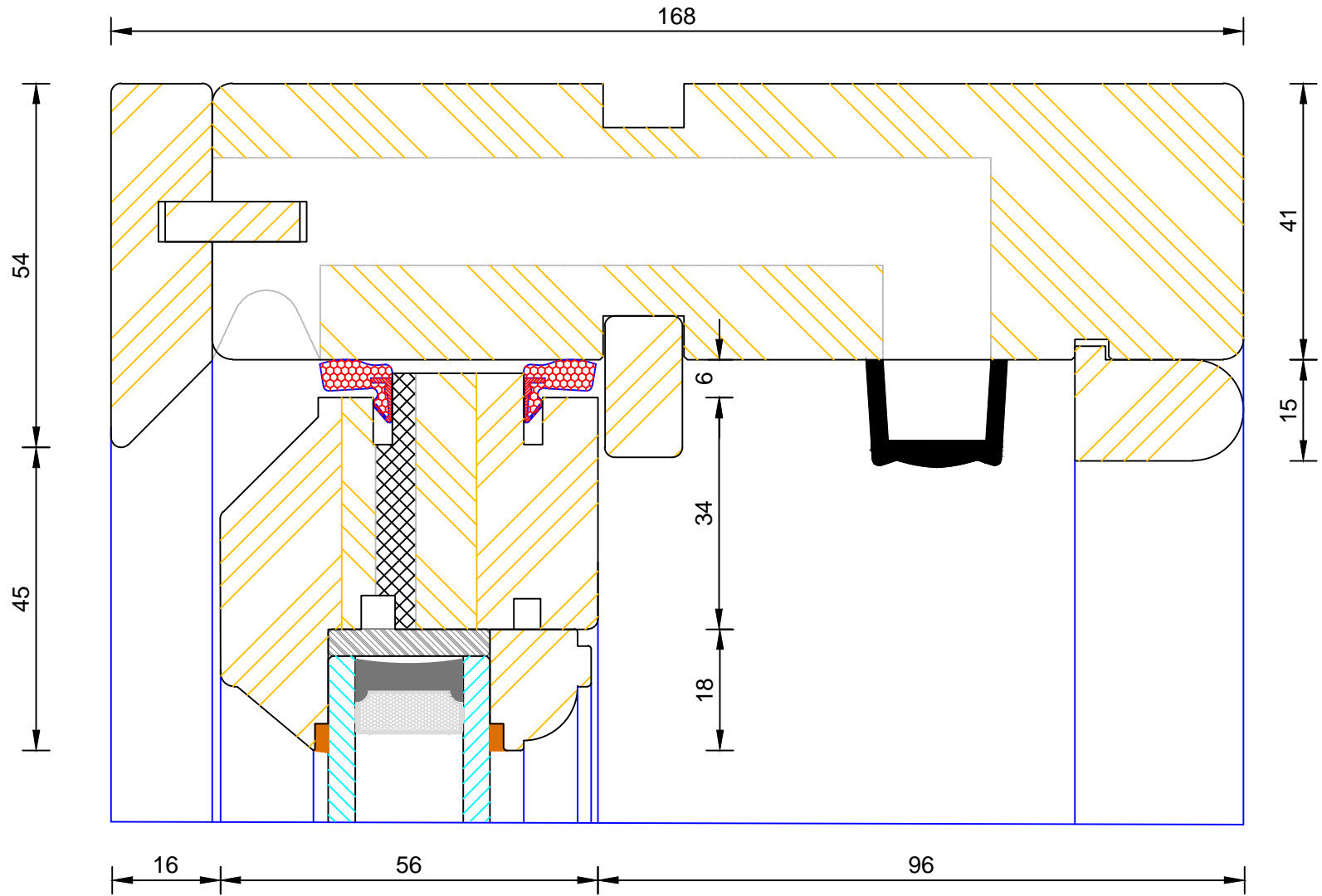
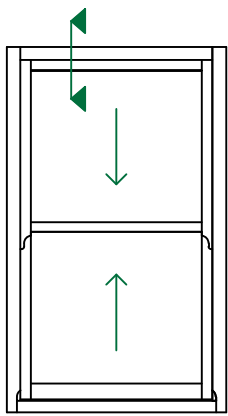


STANDARD OVOLO 35MM WIDE



NARROW LAMBS TONGUE 16MM WIDE

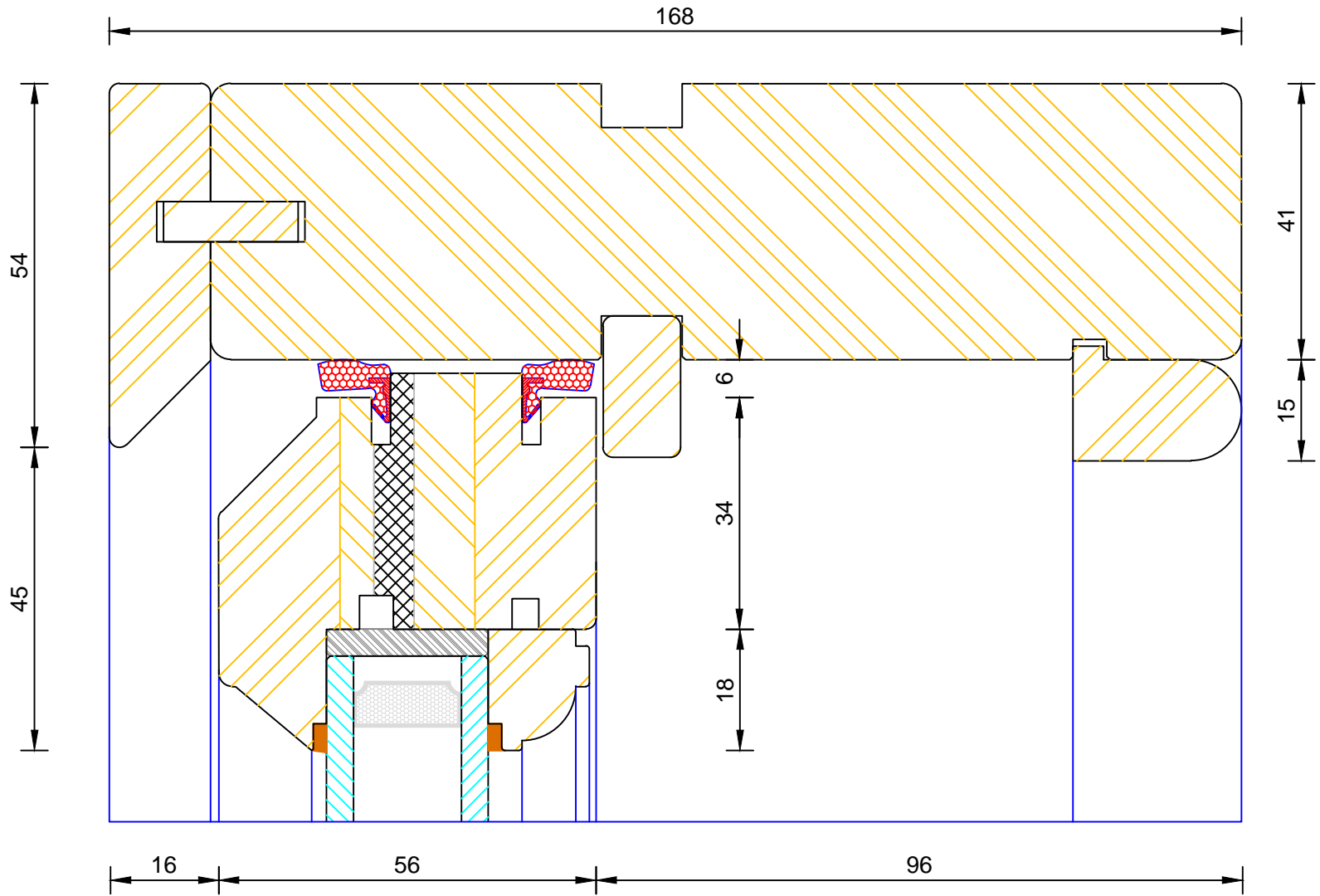
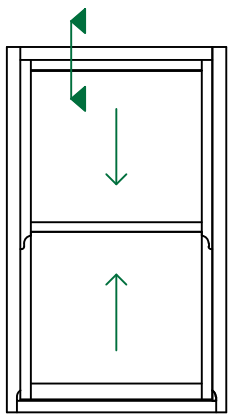
DIMENSIONS	PLOT SIZE	SCALE	DATE	REV	DWG NO.
MM	A4	1:1	24.02.2011	A	1902
Please consider the environment before printing					



**Traditional Sliding Sash Cords & Weights
Frame & Sash Head (With Vent)**

DIMENSIONS	PLOT SIZE	SCALE	DATE	REV	DWG NO.
MM	A4	1:1	24.02.2011	A	1903.2
Please consider the environment before printing					

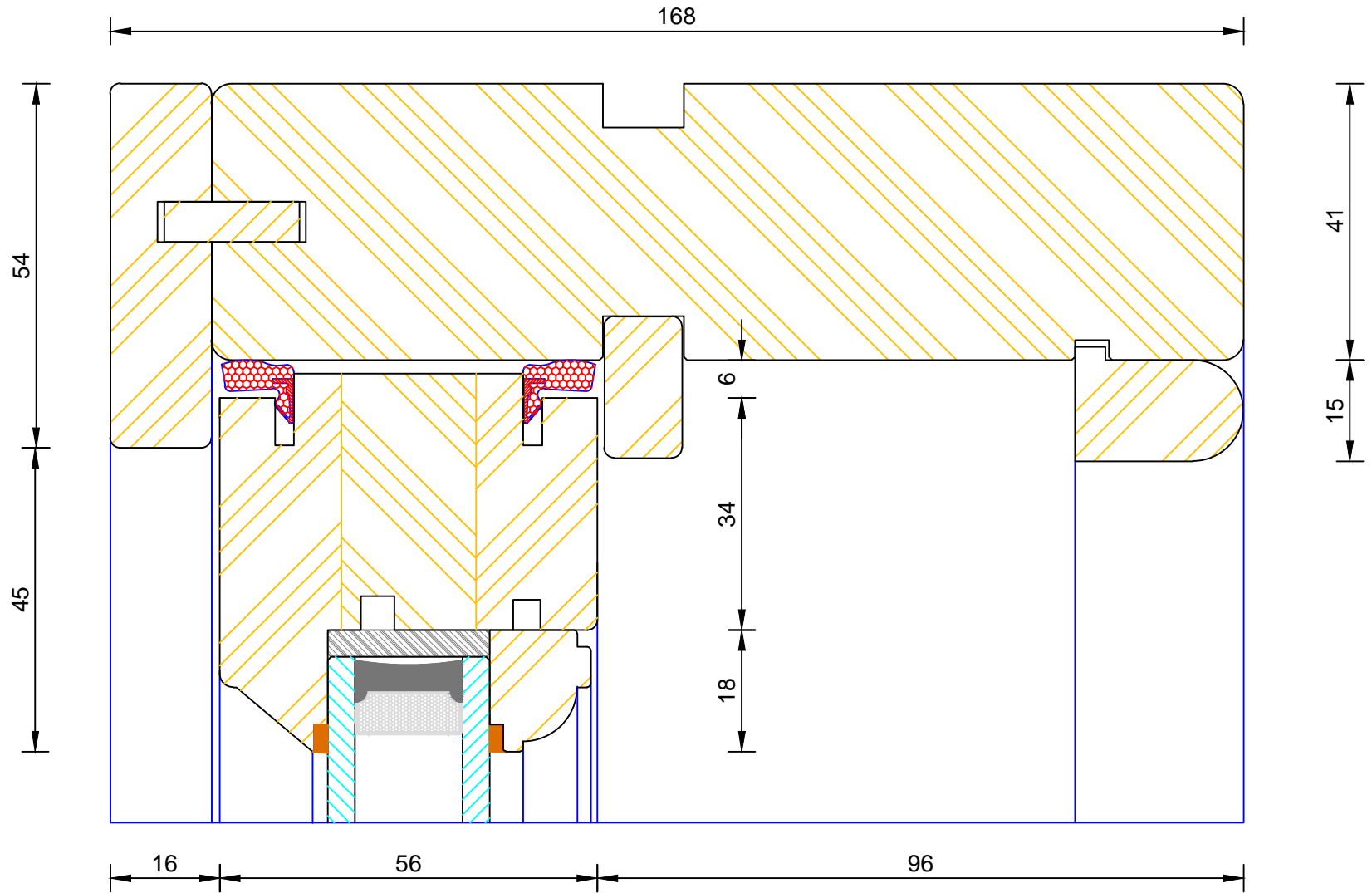
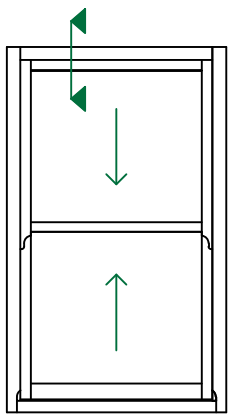
Note: Detail Used
1/ If order has vents specified



Traditional Sliding Sash Cords & Weights
Frame & Sash Head (Without Vent)

DIMENSIONS	PLOT SIZE	SCALE	DATE	REV	DWG NO.
MM	A4	1:1	24.02.2011	A	1903.1
Please consider the environment before printing					

Note: Detail Used
 1/ If order has a mixture of windows with and without vents



Note: Detail Used
 1/ Windows with a curved head
 2/ Straight head without vent specified to all windows

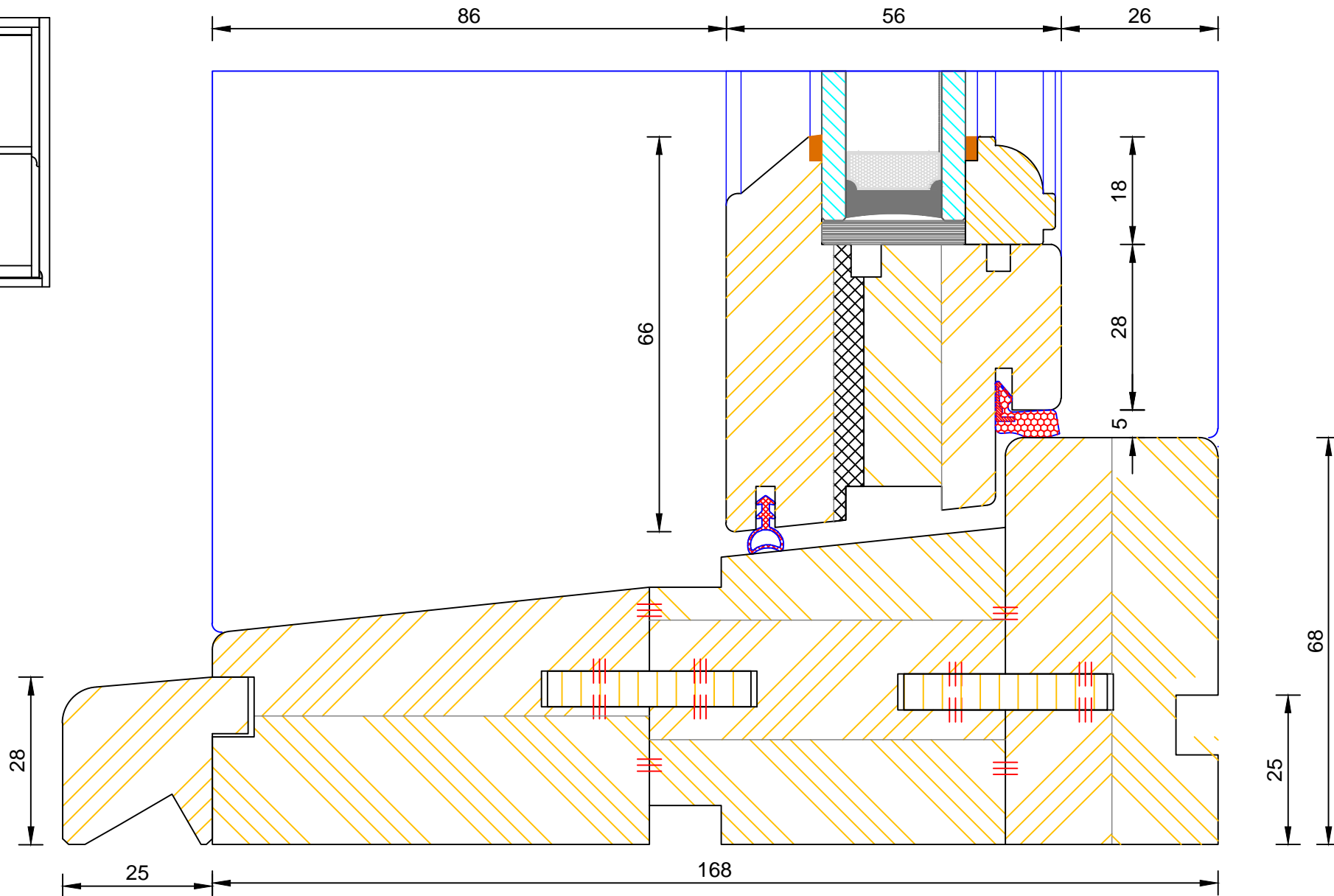
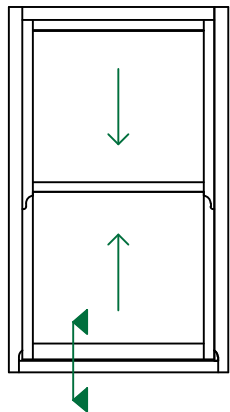
If order has a mixture with and without vents then all windows will have vent detail profile. See drawing number 1903.1 & 1903.3



Traditional Sliding Sash Cords & Weights
 Frame & Sash Head

DIMENSIONS	PLOT SIZE	SCALE	DATE	REV	DWG NO.
MM	A4	1:1	24.02.2011	A	1903.2

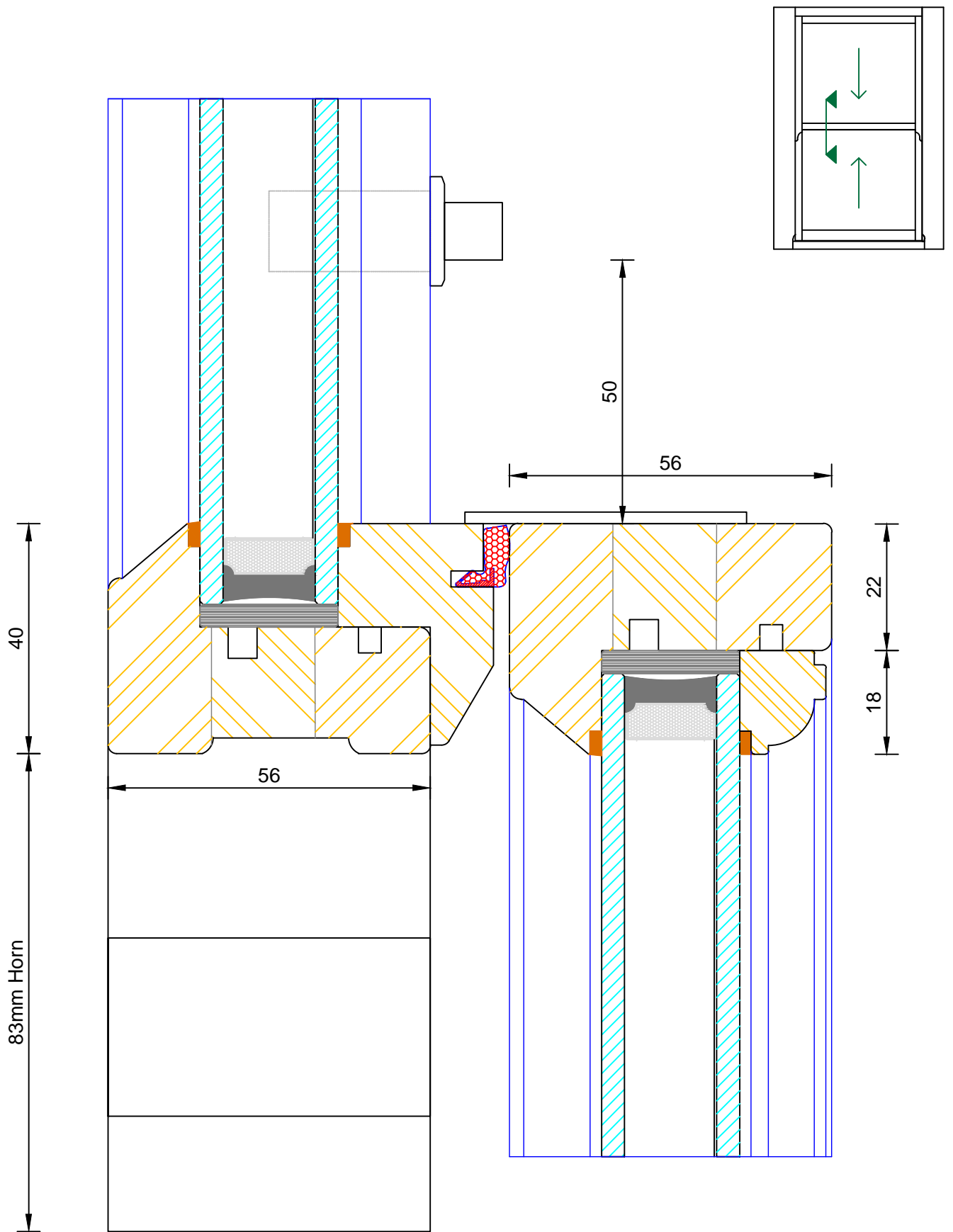
Please consider the environment before printing

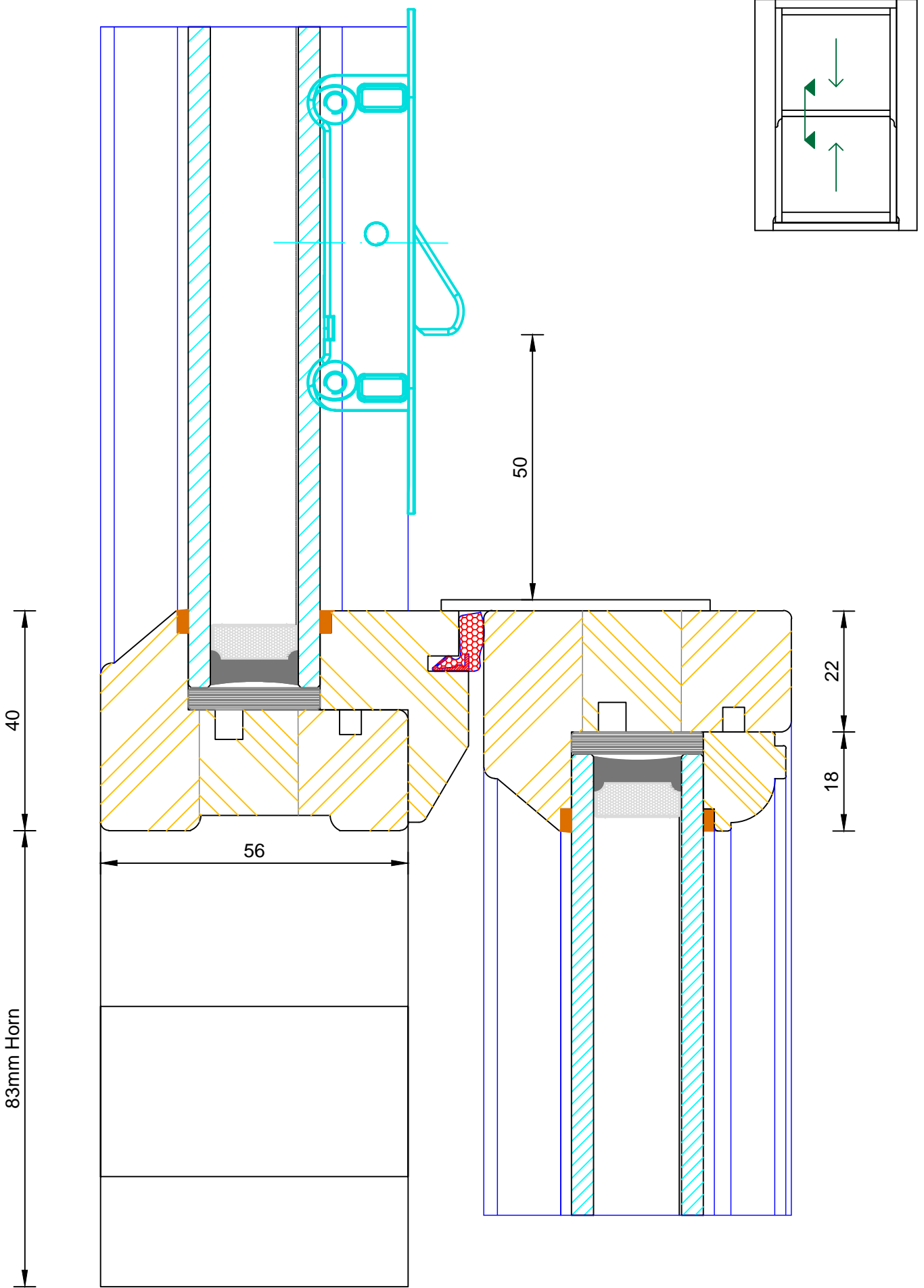


**Traditional Sliding Sash Cords & Weights
Frame & Sash Cill**

DIMENSIONS	PLOT SIZE	SCALE	DATE	REV	DWG NO.
MM	A4	1:1	24.02.2011	A	1904
Please consider the environment before printing					

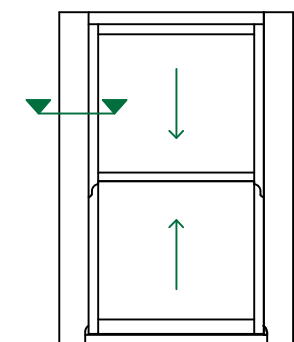
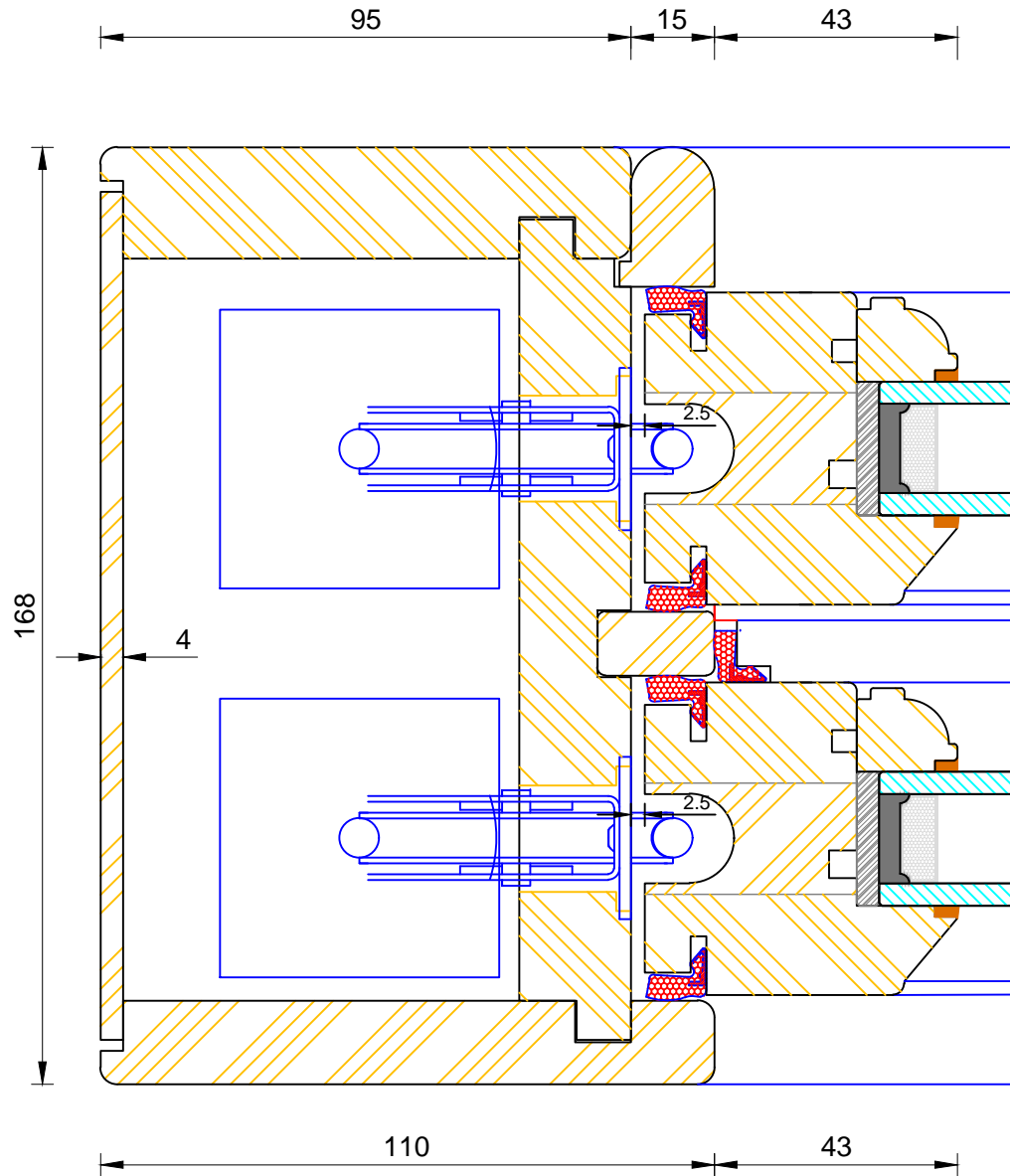
CILL EXTENSION - available options:
 25mm (193mm o/a) / 47mm (215mm o/a) /
 62mm (230mm o/a) / 87mm (255mm o/a) /
 100mm (268mm o/a) / 114mm (282mm o/a) /
 140mm (308mm o/a)





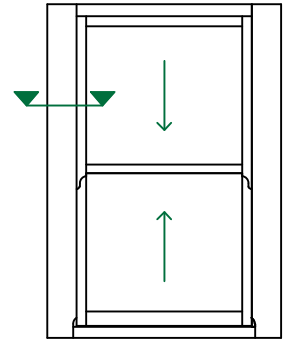
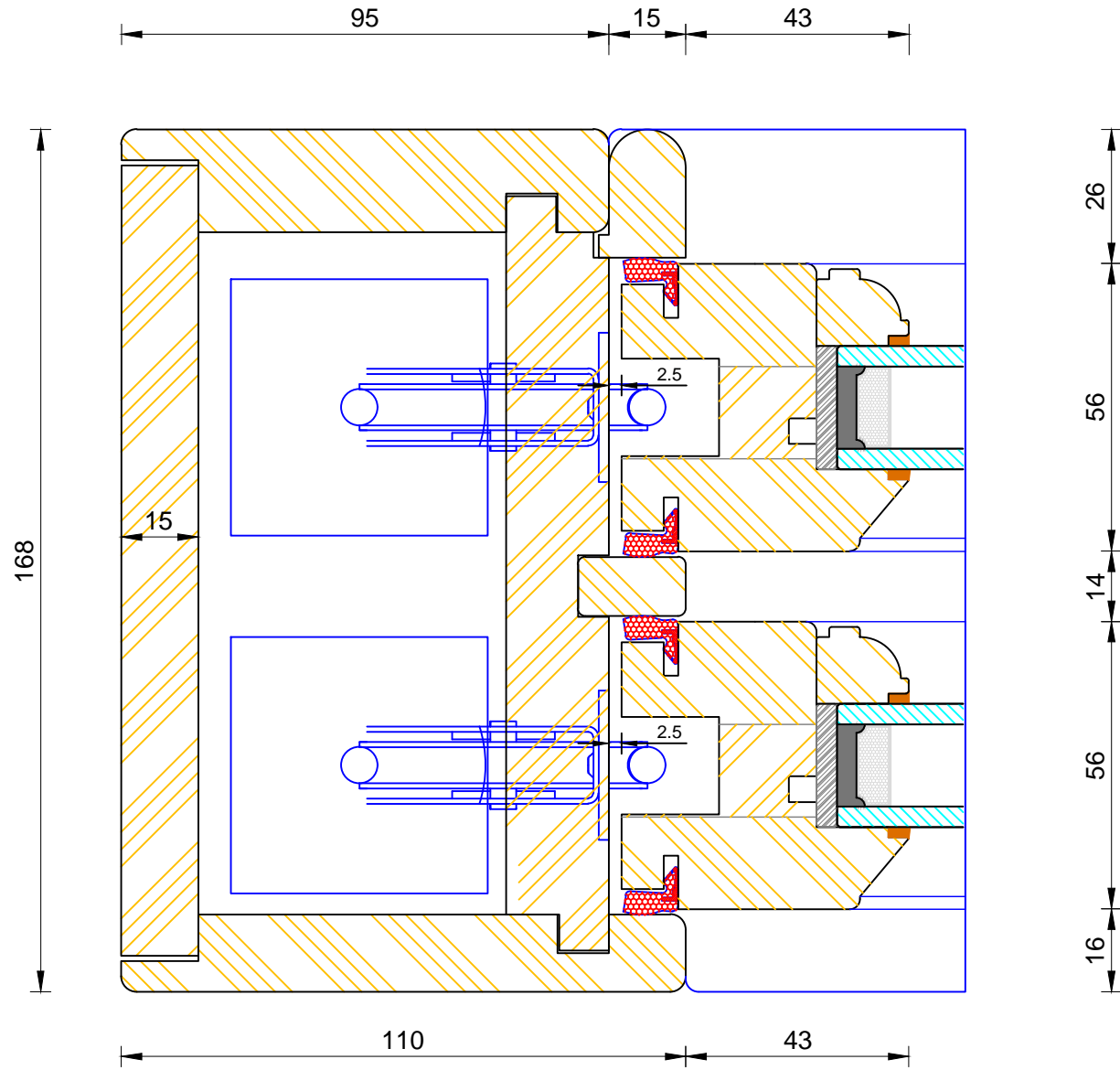
Traditional Sliding Sash Cords & Weights
Meeting Rail - Angel Lock

DIMENSIONS	PLOT SIZE	SCALE	DATE	REV	DWG NO.
MM	A4	1:1	24.02.2011	A	1905.1
Please consider the environment before printing					



Traditional Sliding Sash Cords & Weights
 Frame & Sash Jamb (Standard)

DIMENSIONS	PLOT SIZE	SCALE	DATE	REV	DWG NO.
MM	A3	1:1	24.02.2011	A	1906
Please consider the environment before printing					

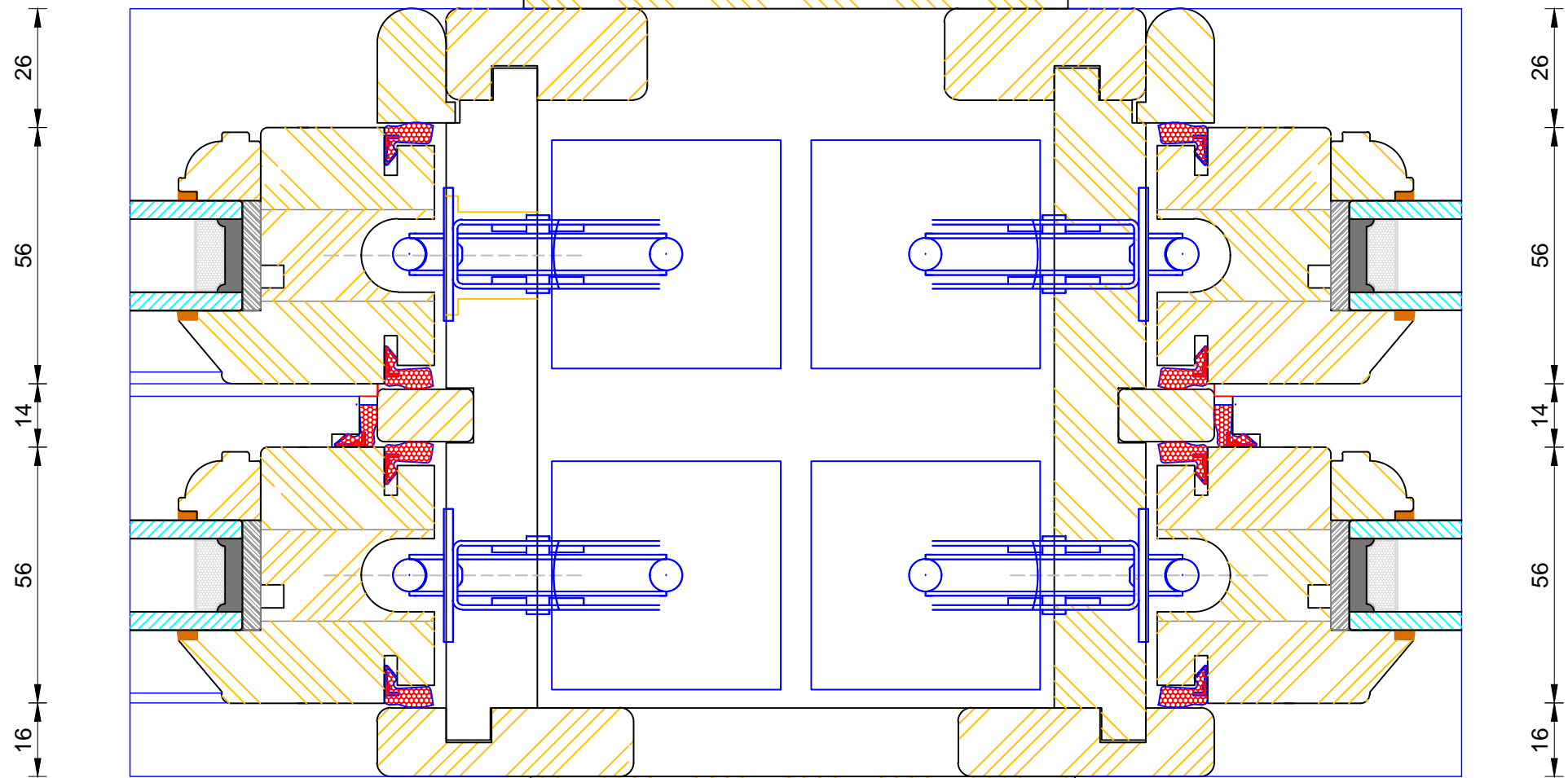
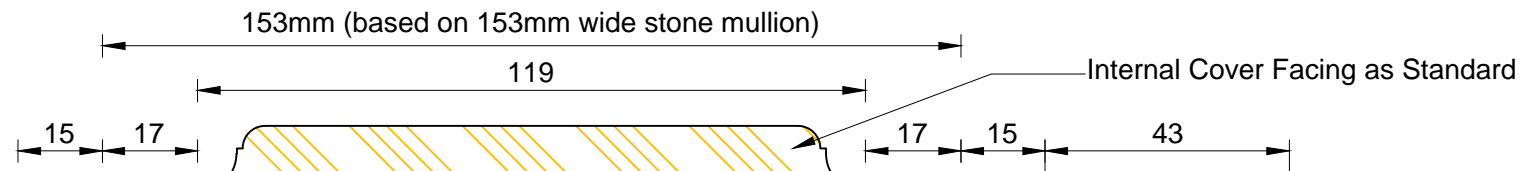


Traditional Sliding Sash Cords & Weights
Frame & Sash Jamb (Optional)

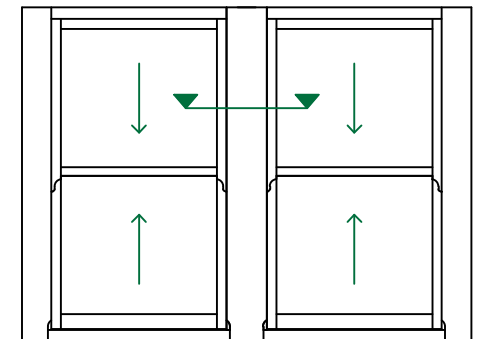
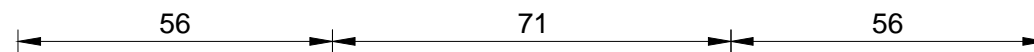
DIMENSIONS	PLOT SIZE	SCALE	DATE	REV	DWG NO.
MM	A3	1:1	24.02.2011	A	1907

Please consider the environment before printing

Standard Box Section for Factory -
coupling only, internal profiled cover
facing standard, external cover facing
optional (to be confirmed if required)



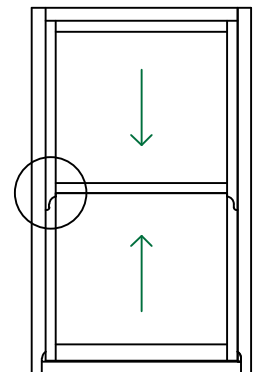
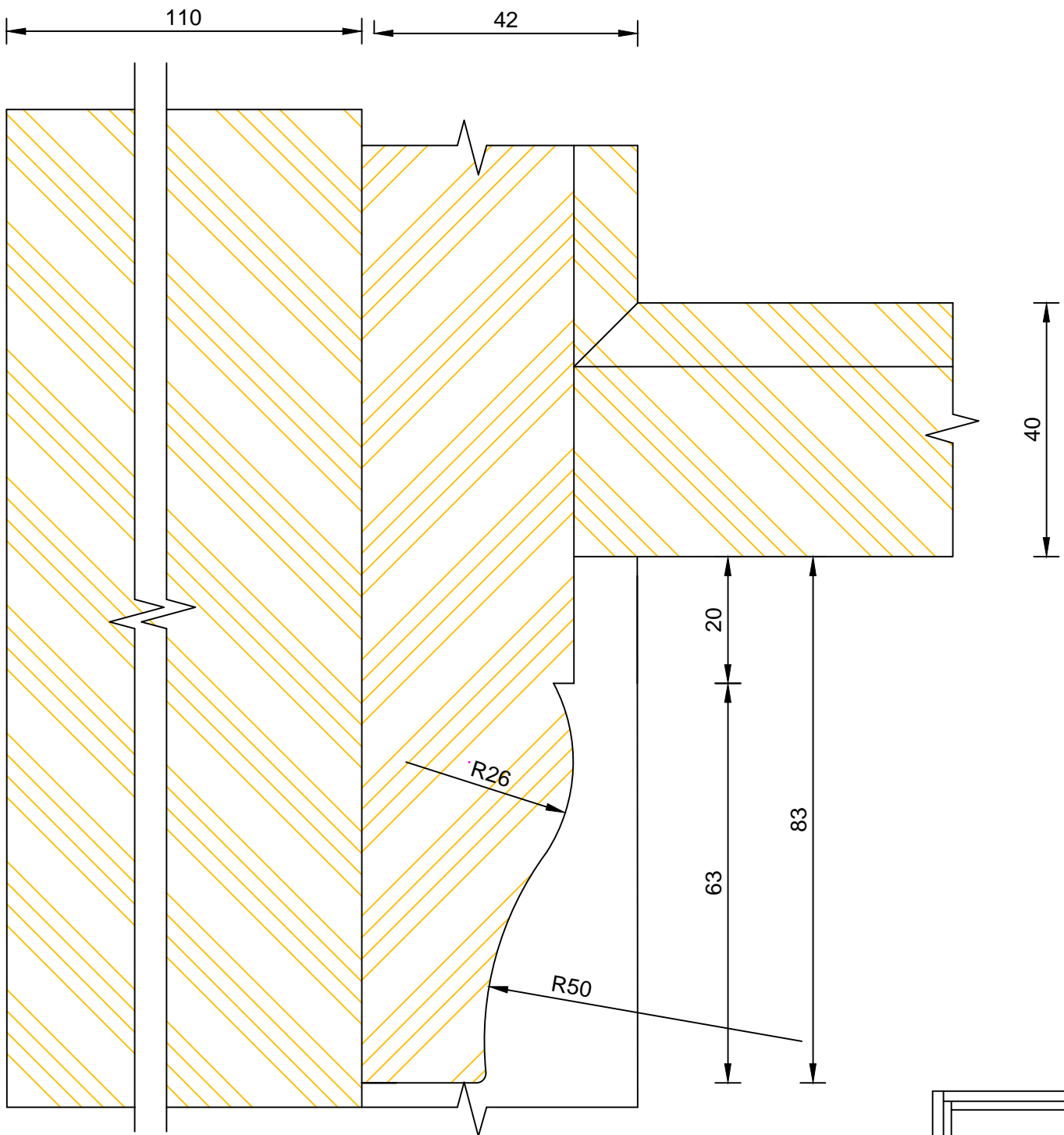
External Cover Facing optional (not
required for existing stone mullion)

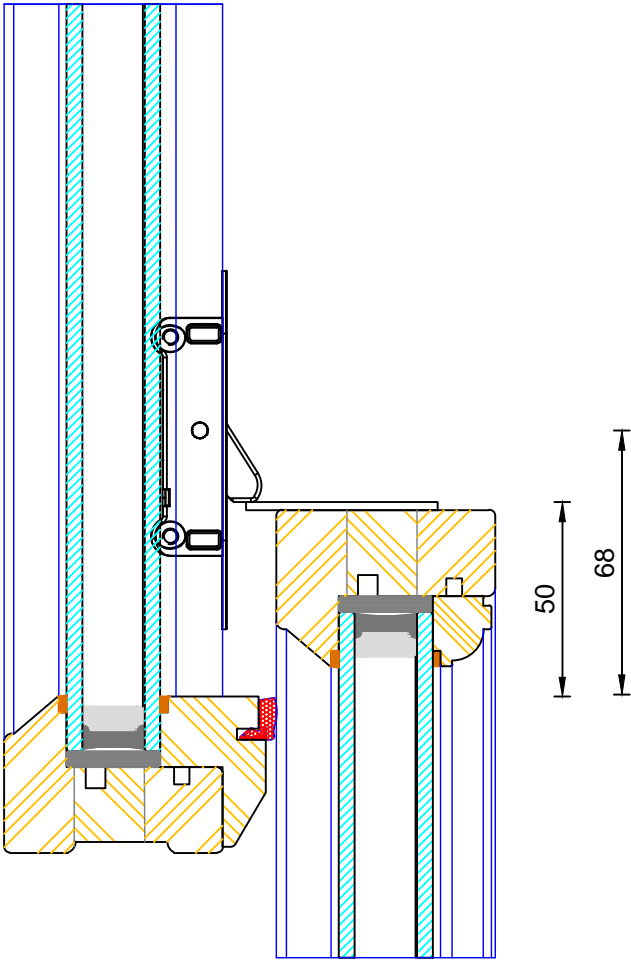


Contemporary Sliding Sash Cords & Weights
Frame & Sash Box Mullion (Factory Coupled)

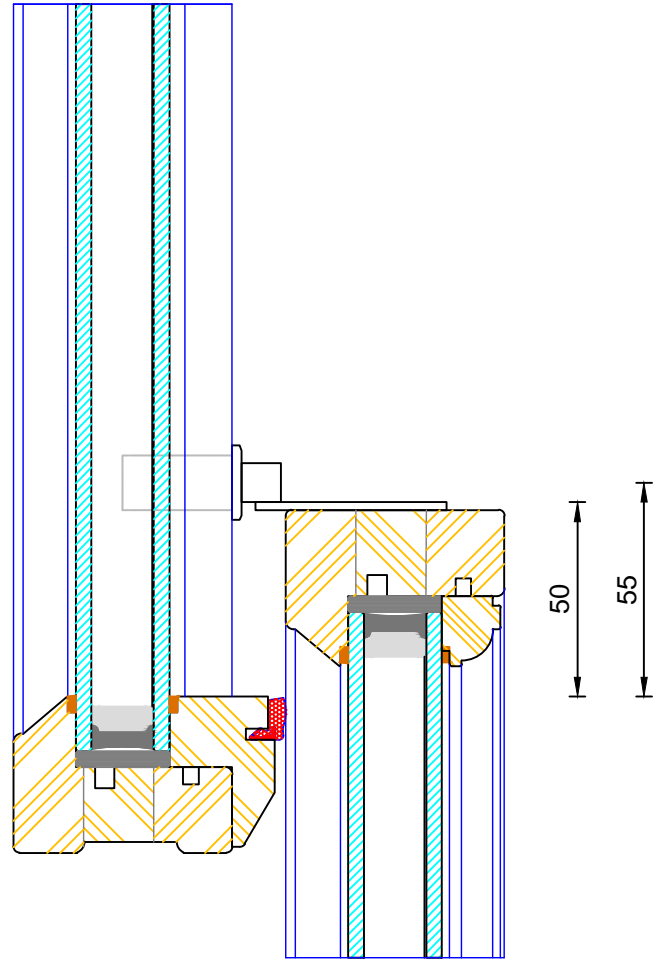
DIMENSIONS	PLOT SIZE	SCALE	DATE	REV	DWG NO.
MM	A3	1:1	24.02.2011	A	0508

Please consider the environment before printing

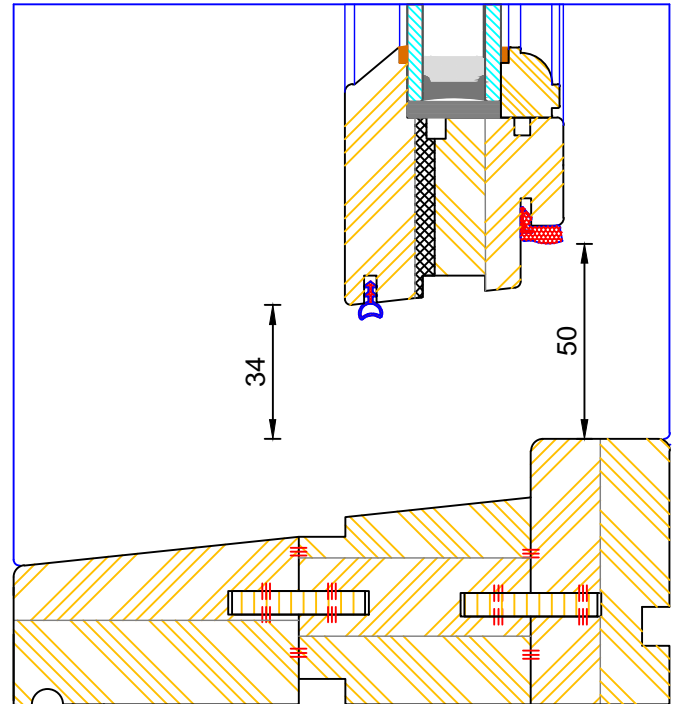
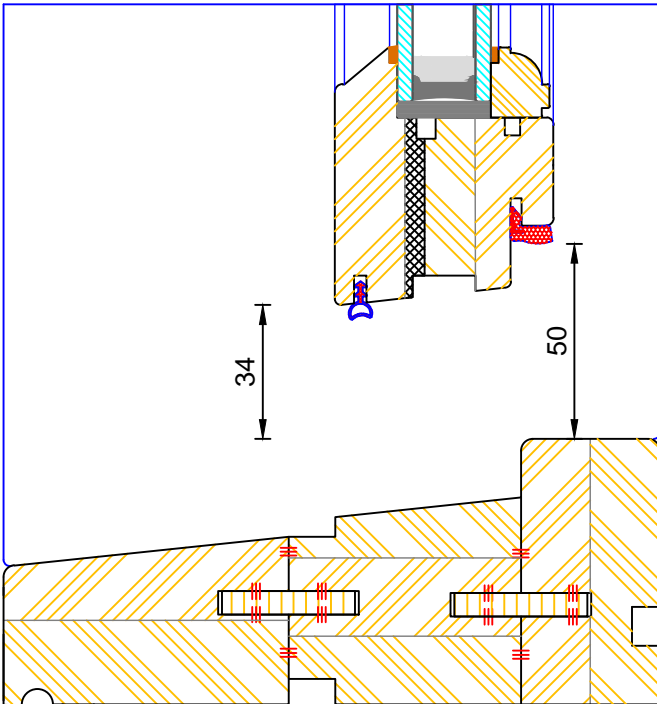


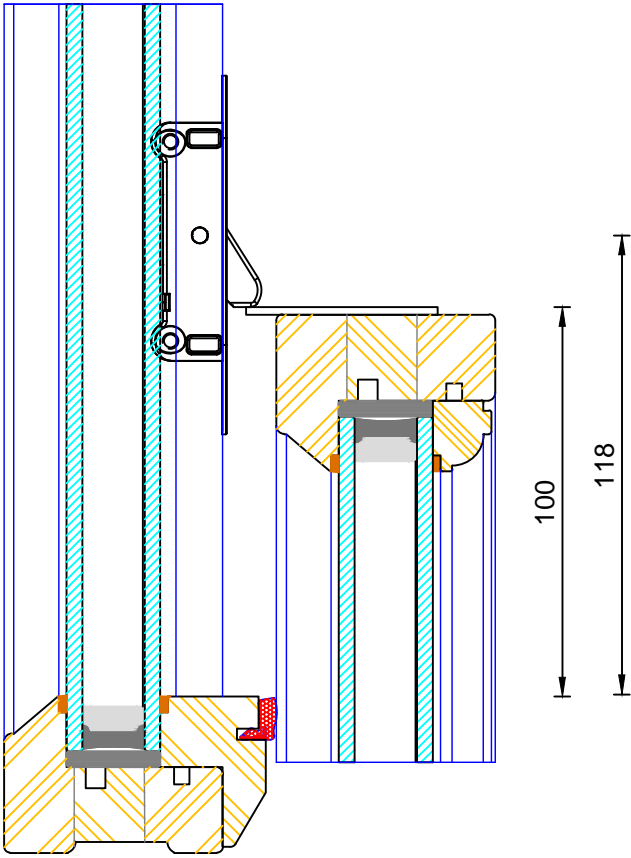


ANGEL LOCK

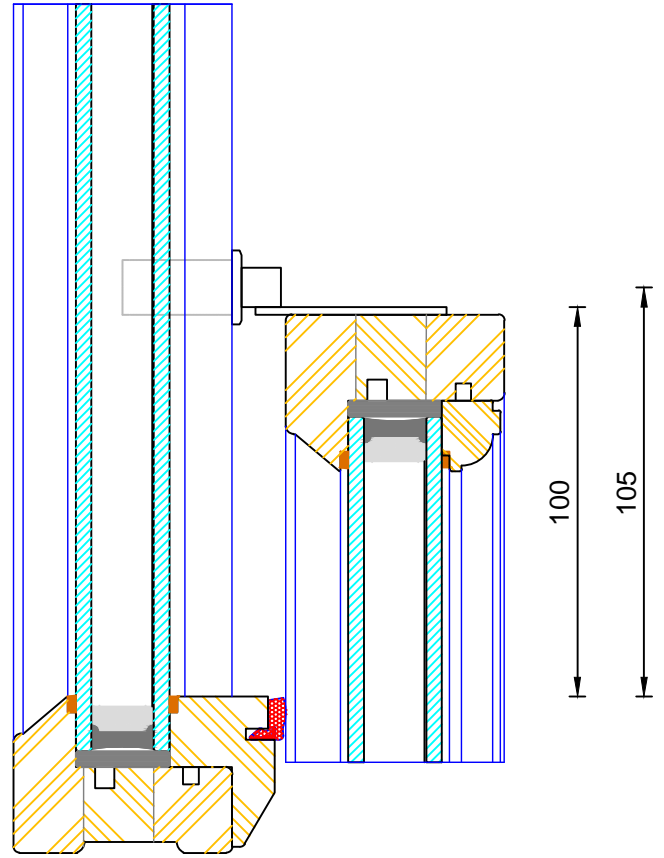


VENT LOCK





ANGEL LOCK



VENT LOCK

