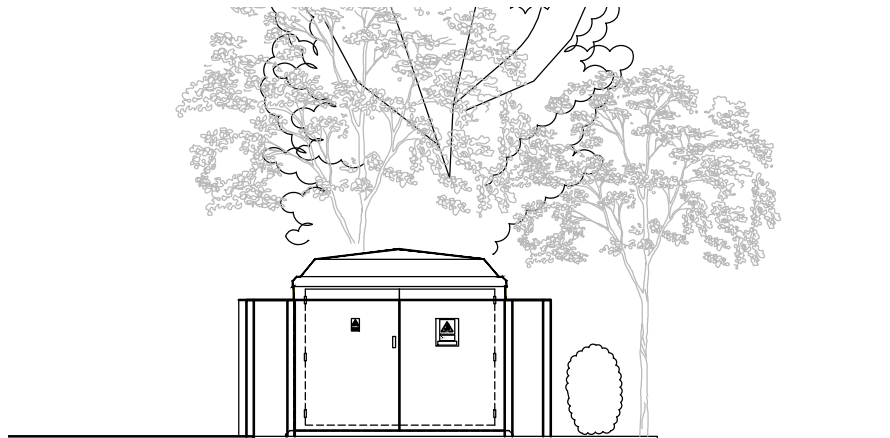


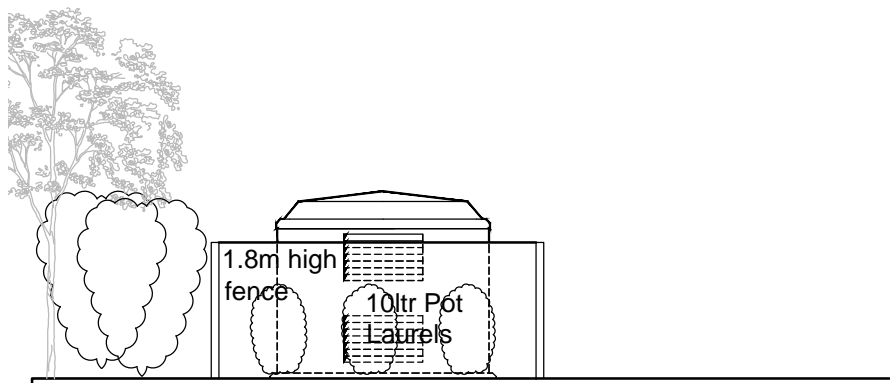
7No 10ltr Pot Laurels

1.8m high timber post, rail and nailed boarding fence & gates, stained dark oak

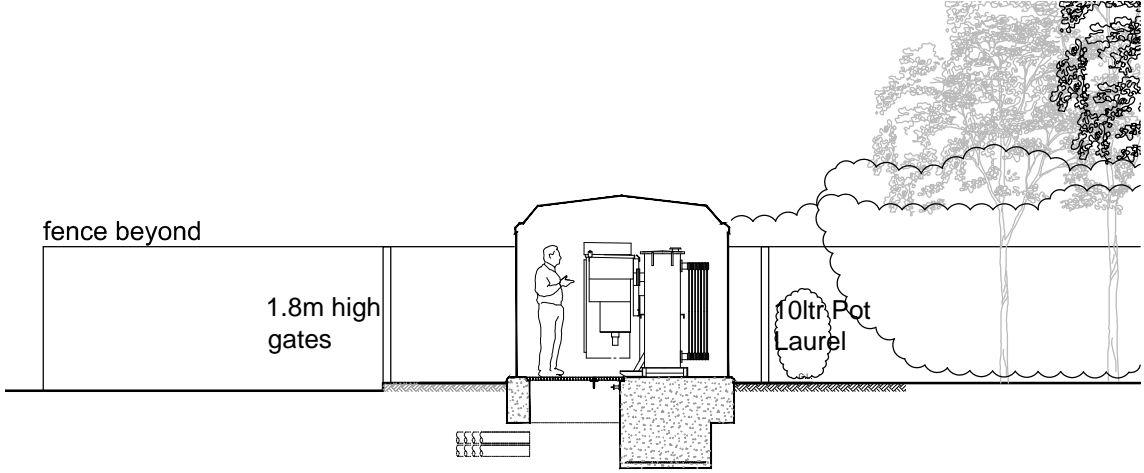
**PLAN**  
1:100@A3



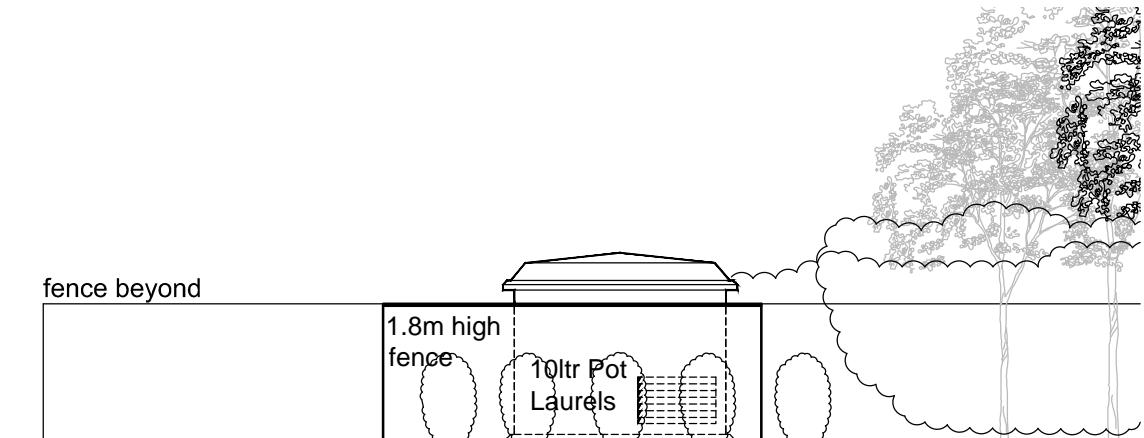
**FRONT ELEVATION A-A**  
1:100@A3



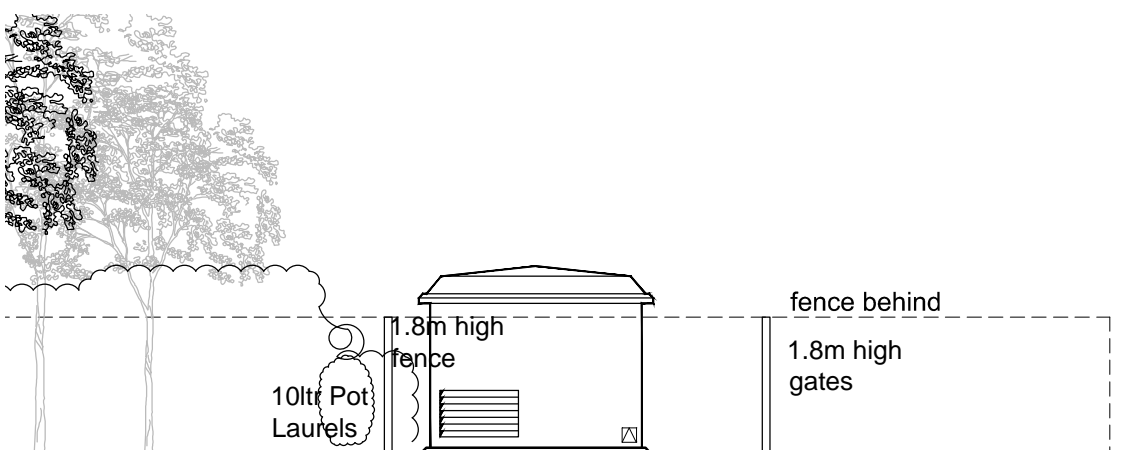
**REAR ELEVATION B-B**  
1:100@A3



**SECTION E-E**  
1:100@A3



**SIDE ELEVATION C-C**  
1:100@A3

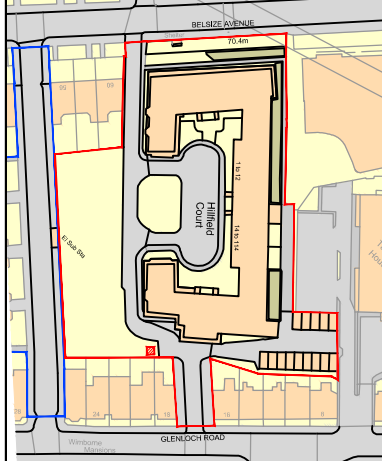


**SIDE ELEVATION D-D**  
1:100@A3

50mm on original sheet

revisions				
no.	description	date	initial	check initial
1	FIRST ISSUE	04/10/17	PB	PB
2	Landscape Added	02/01/18	PB	PB

REAR ELEVATION BB  
SIDE ELEVATION DD  
SECTION EE  
SIDE ELEVATION CC  
FRONT ELEVATION AA  
**KEY PLAN**  
Scale 1:200



**OS LOCATION PLAN**  
Scale 1:2500

notes

DO NOT SCALE FROM THIS DRAWING\*  
DRAWING SUBJECT TO COPYRIGHT ACT



Peter Bloxham Architect RIBA  
19 Crows Road  
Epping  
Essex, CM16 5DE  
Telephone 01992 610 819  
Email : peter@bloxarchitects.co.uk

client  
Kinleigh Folkard & Hayward

project  
NEW UKPN SUBSTATION  
PLANNING CONSENT

drawing  
1-114 Belsize Avenue / London NW3 4BG  
GA DRAWINGS  
PROPOSED

drawn by	checked by	date drawn	checked date
PB	PB	20/10/17	20/10/17

drawing no. 1014\_HFC\_AL-0-005  
revision 2