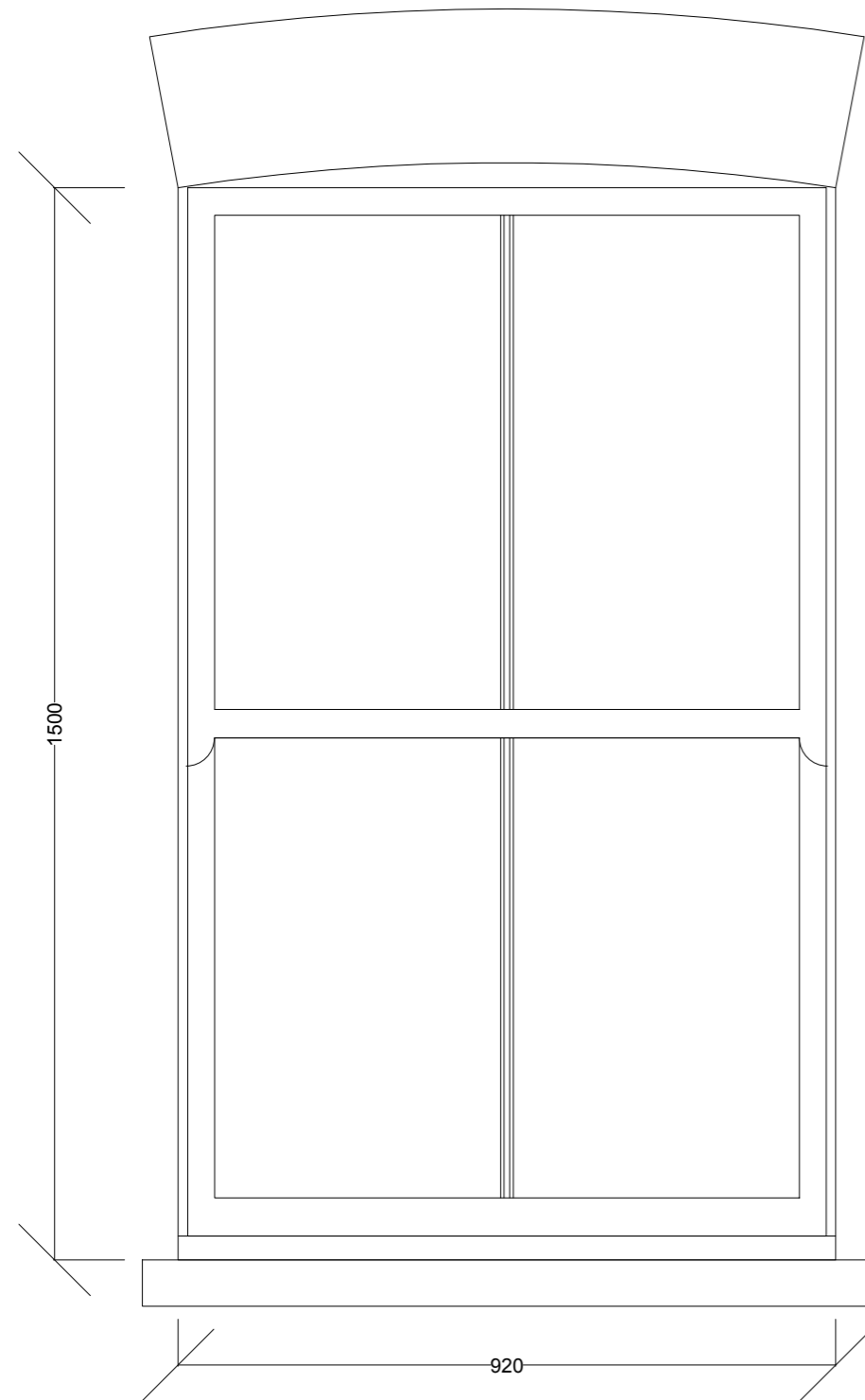
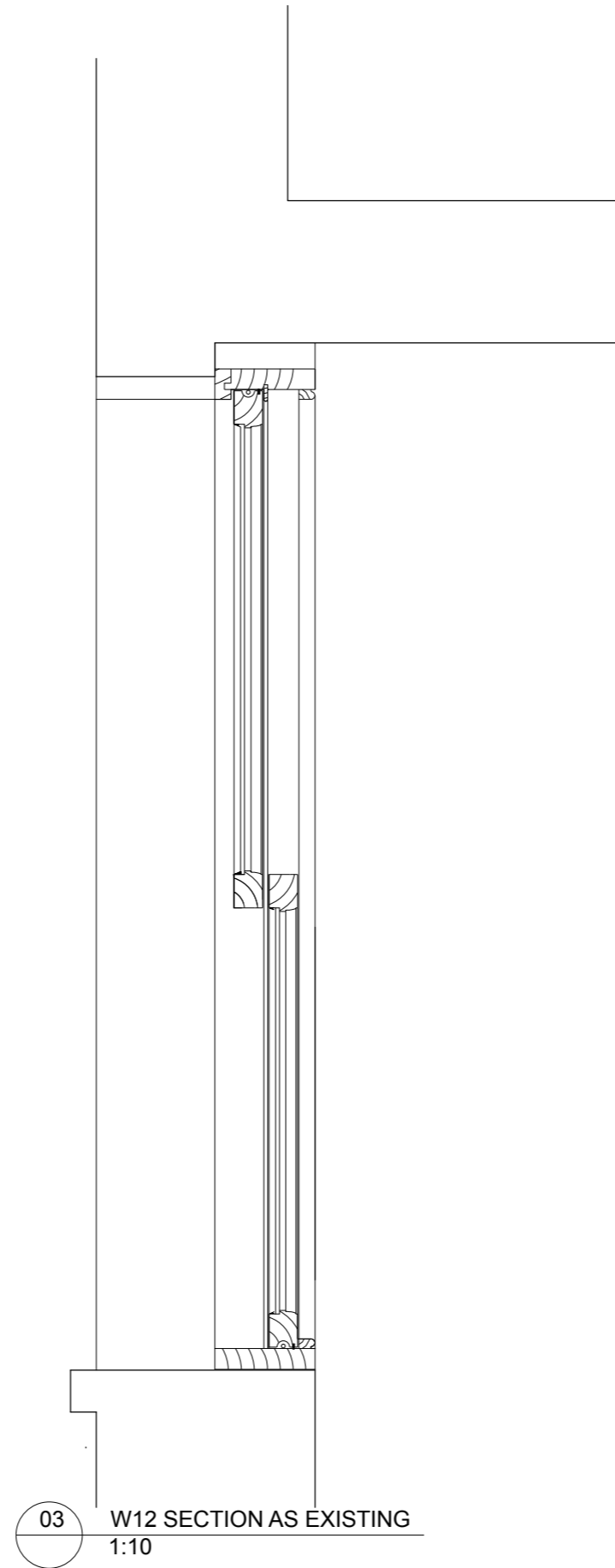


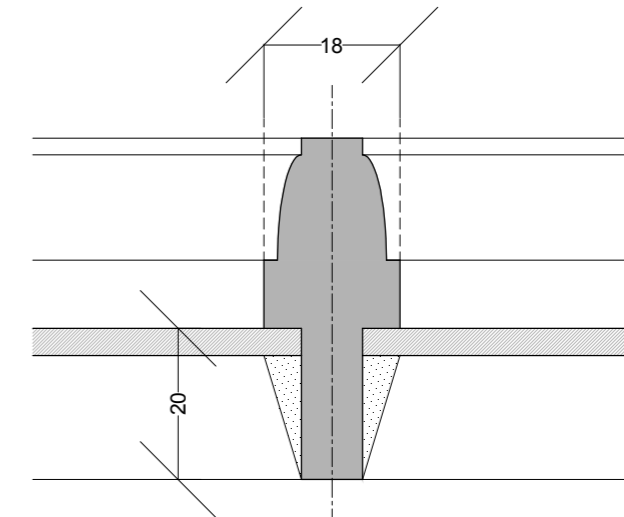
01 W12 PLAN AS EXISTING
1:10



02 W12 ELEVATION AS EXISTING
1:10



03 W12 SECTION AS EXISTING
1:10



03 GLAZING BAR W SINGLE GLAZING AS EXISTING
1:1

26 Pilgrim's Lane, Hampstead NW3 1SN

Dwg No. PLEX08 - W12 DETAIL AS EXISTING
SCALE: 1:10@A3
DECEMBER 2017
FOR PLANNING

Malcolm Fryer Architects Limited
Unit 7, The Ivories, 6 Northampton Street, N1 2HY
www.mfryer-architects.com 020 7354 7370