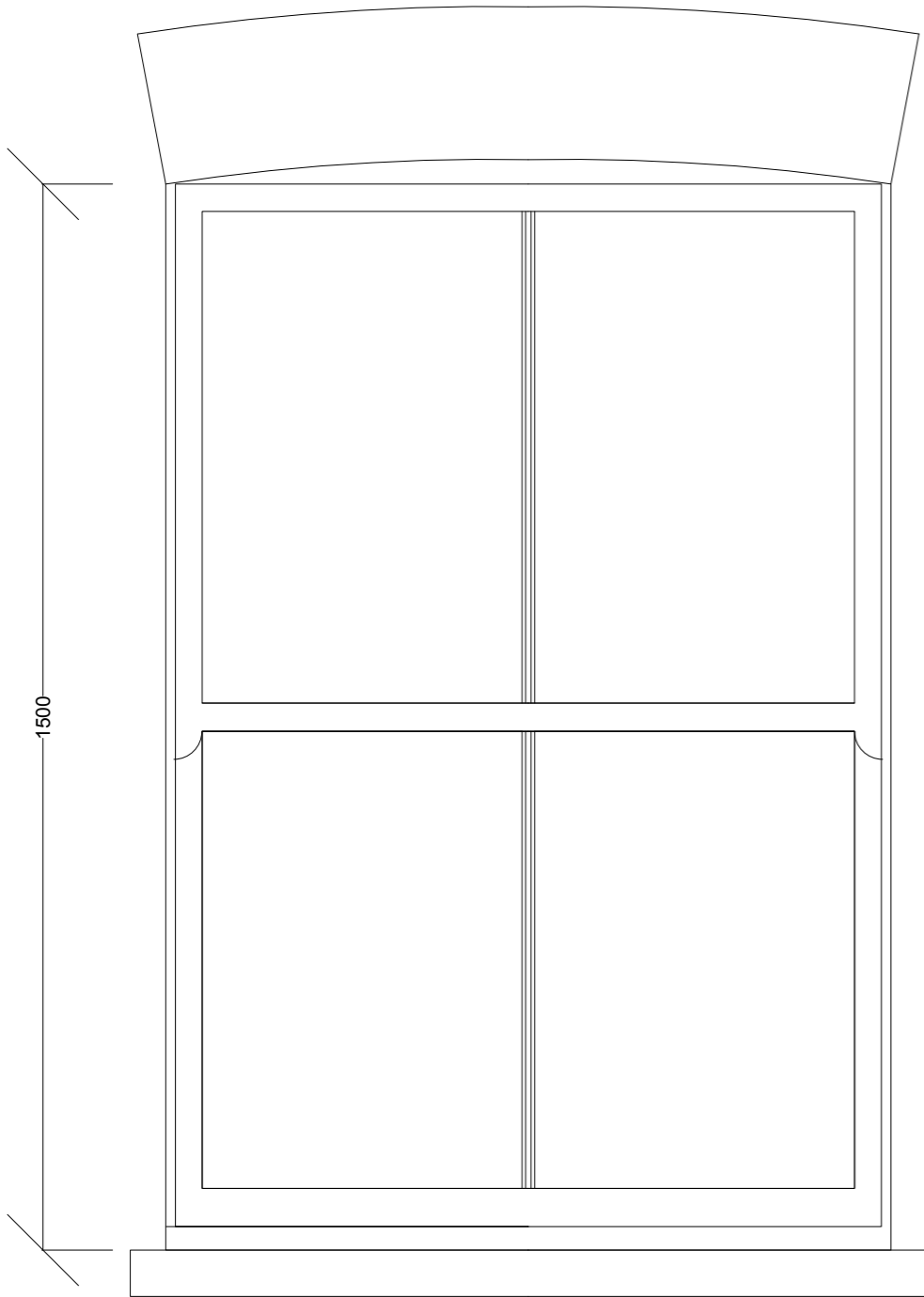


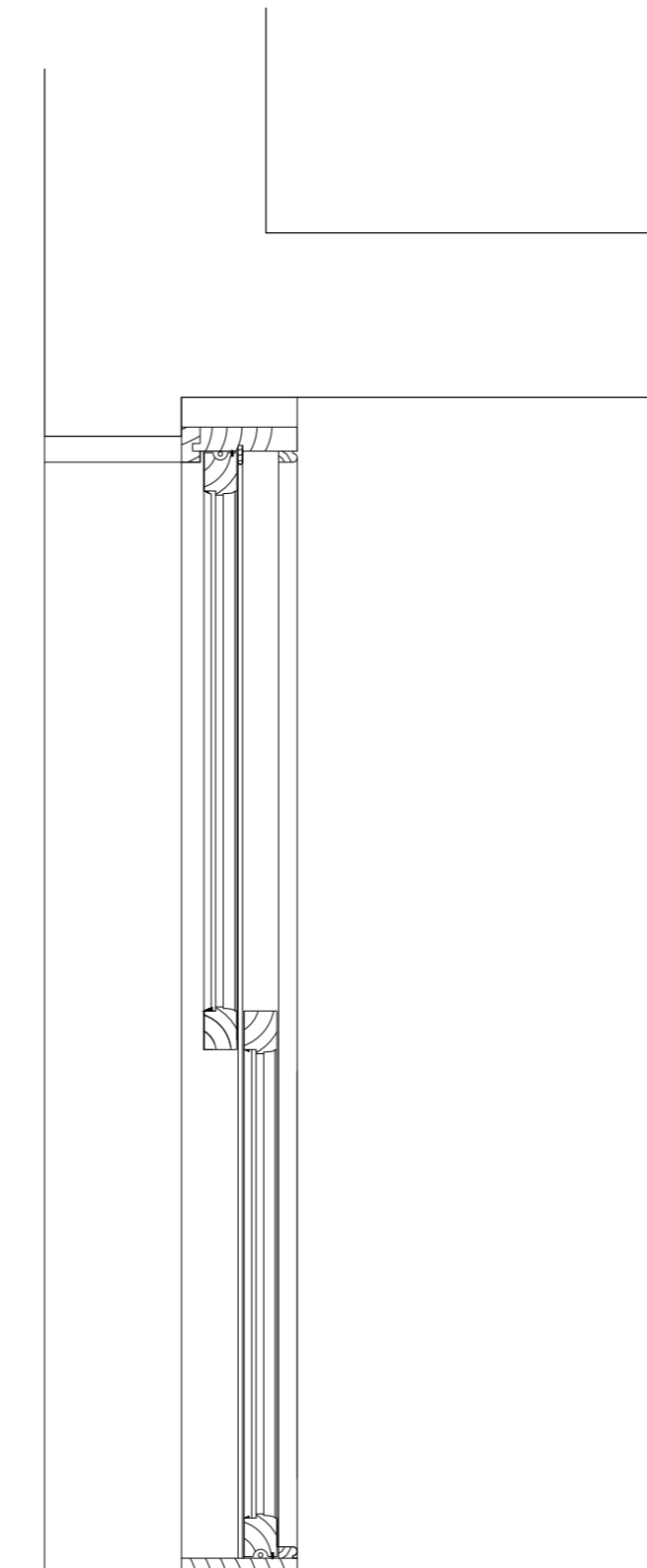
01 W21 PLAN AS EXISTING  
1:10



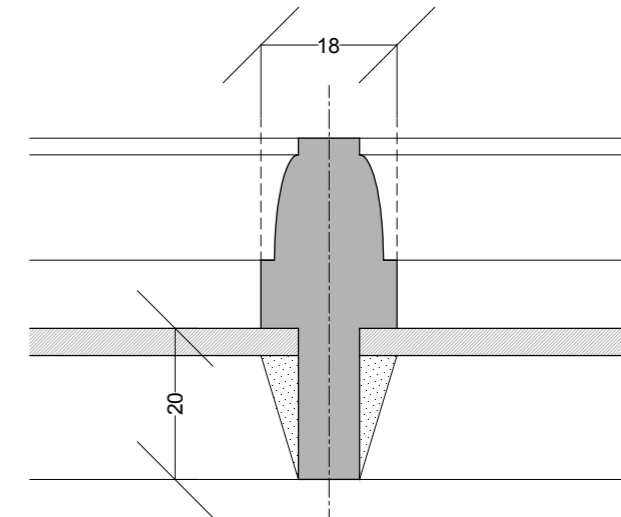
1500

1020

02 W21 ELEVATION AS EXISTING  
1:10



03 W21 SECTION AS EXISTING  
1:10



03 GLAZING BAR W SINGLE GLAZING AS EXISTING  
1:1

26 Pilgrim's Lane, Hampstead NW3 1SN

Dwg No. PLEX10 - W21 DETAIL AS EXISTING  
SCALE: 1:10@A3  
DECEMBER 2017  
FOR PLANNING

Malcolm Fryer Architects Limited  
Unit 7, The Ivories, 6 Northampton Street, N1 2HY  
www.mfryer-architects.com 020 7354 7370