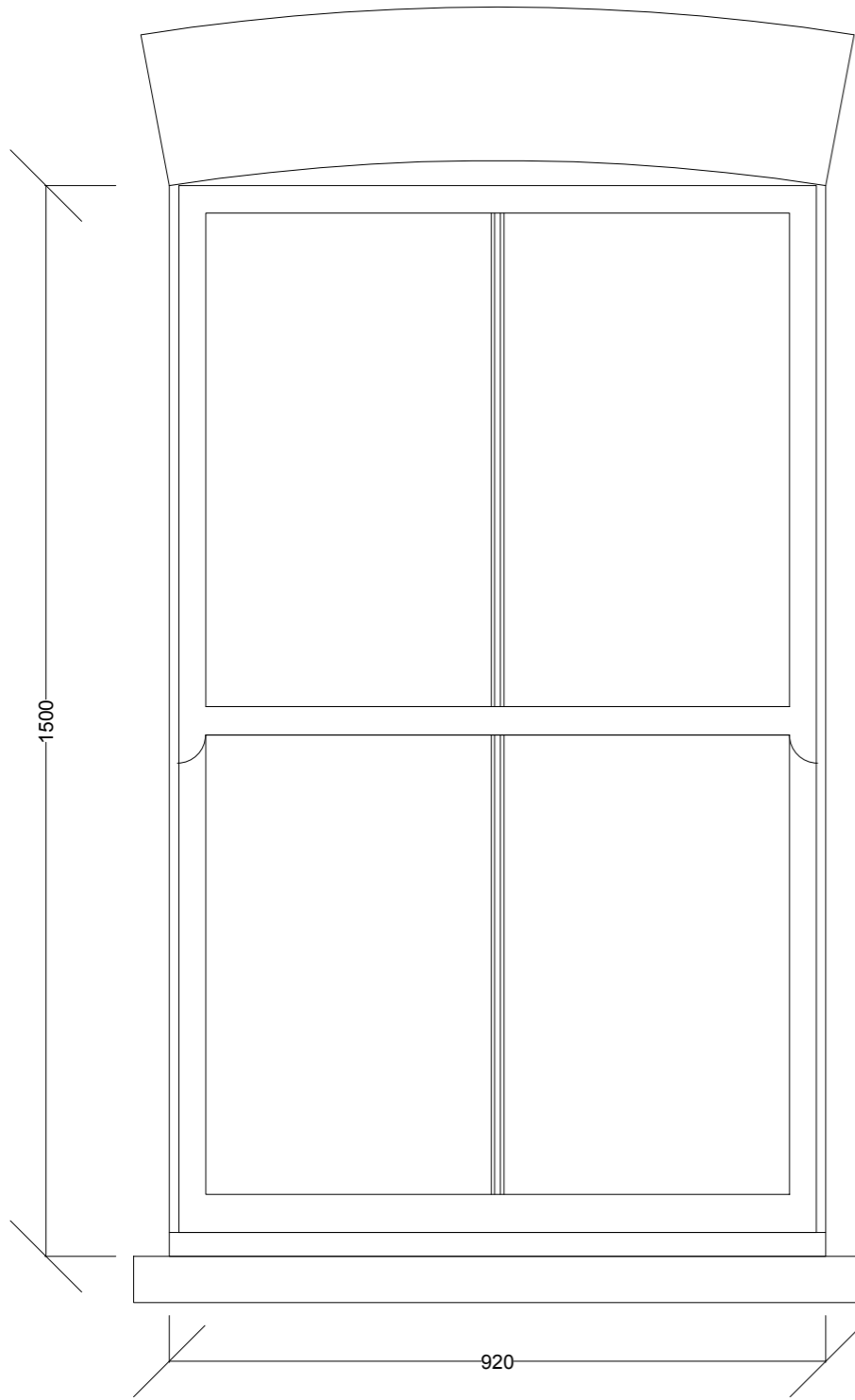
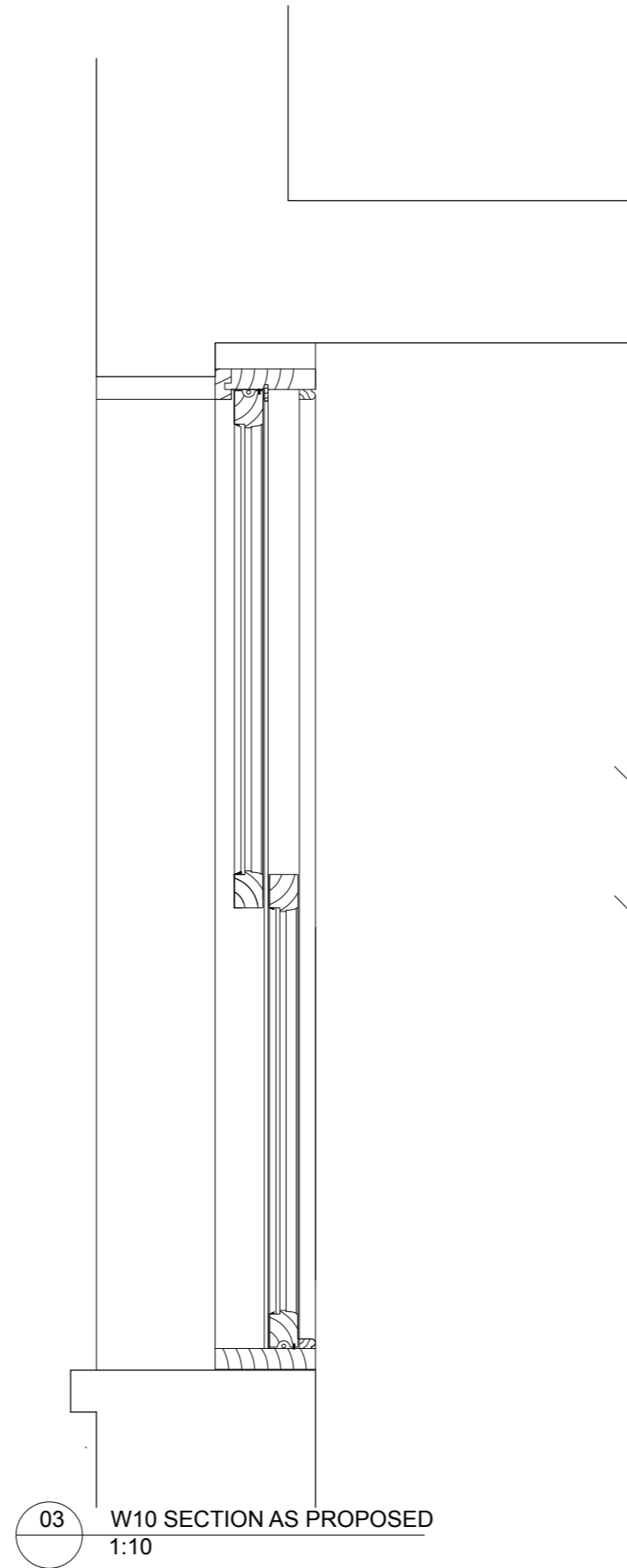


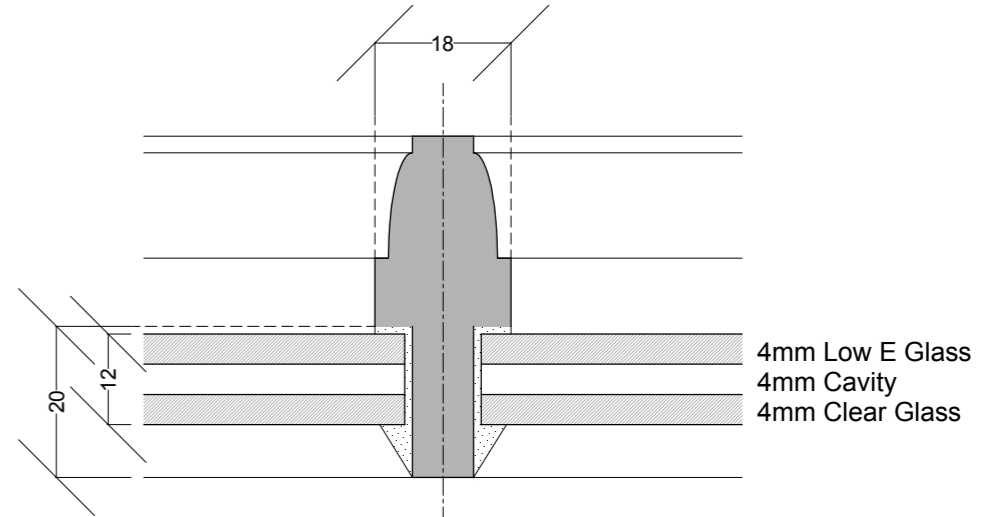
01 W10 PLAN AS PROPOSED
1:10



02 W10 ELEVATION AS PROPOSED
1:10



03 W10 SECTION AS PROPOSED
1:10



03 GLAZING BAR W SLIM LITE DOUBLE GLAZING
AS PROPOSED 1:1