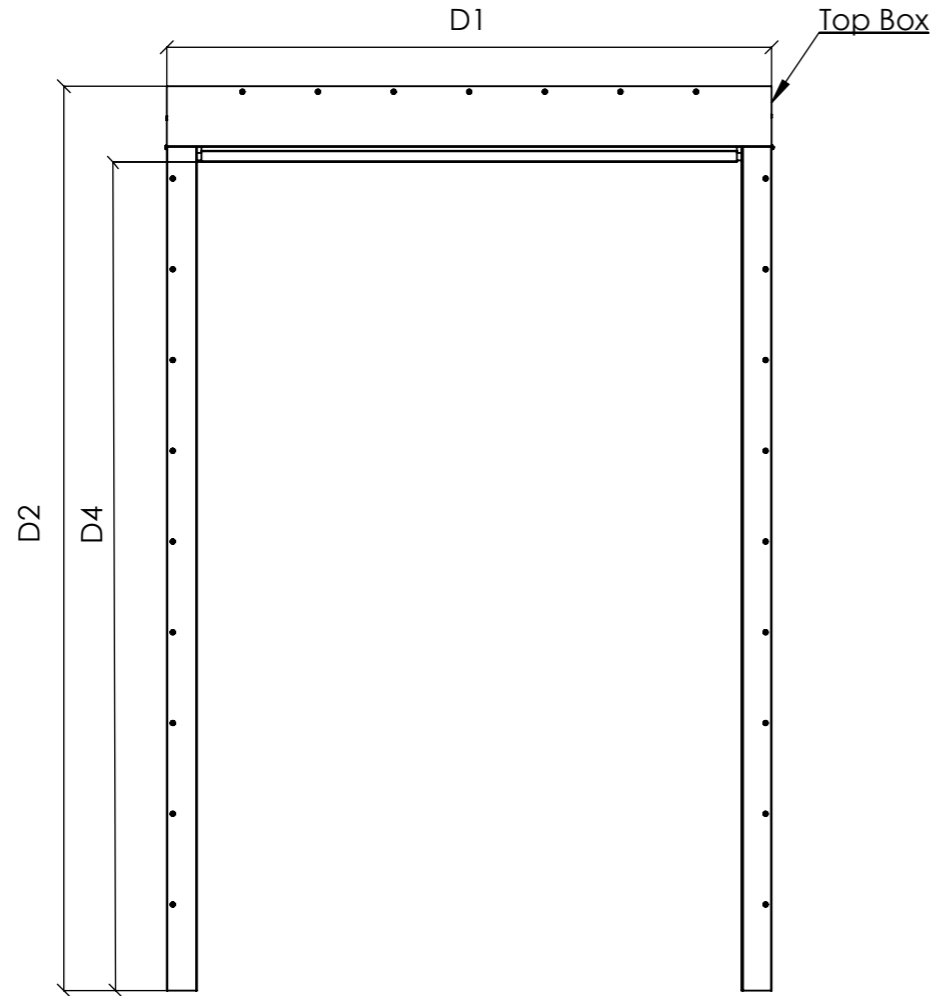


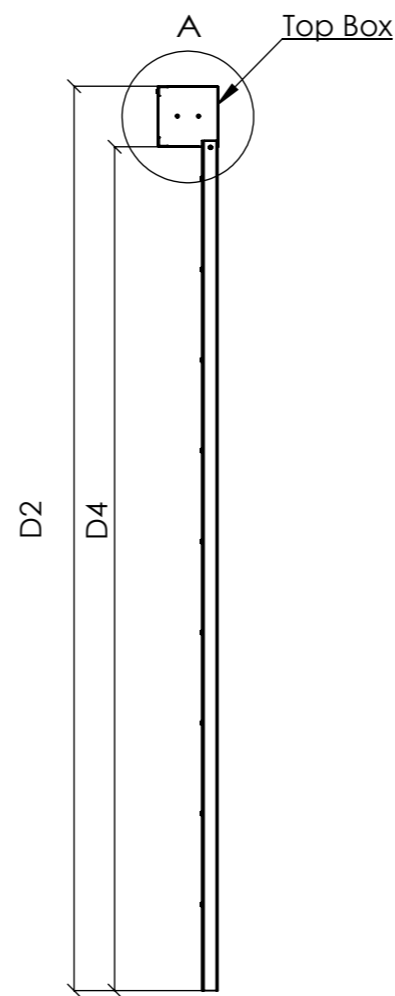


Plan Section
FS240 Fire Curtain

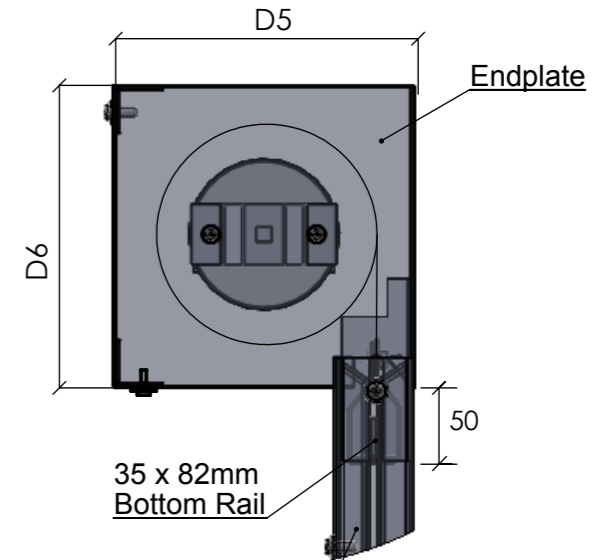
Motor Side : TBC



Elevation
FS240 Fire Curtain



Full Height Section
FS240 Fire Curtain



Enlarge Top Box Section (1:5)

100 x 53 mm Sideguides
Please note that if creating any channels in the wall in order to recess the Fire Curtain, you must allow 70mm for it to fit properly.
Recessed 5 mm into Top Box

Key switch included to manually raise the curtain in case of a false alarm and for regular testing.

Electrical and Alarm requirement
Electrical requirements are a full 240v mains power supply via a 13amp fused spur or 3 pin wall socket and the alarm connection would need to be normally closed volt free and our system is 24v so the alarm must be able to work with a 24v system.

Dimention		
D1	Overall Width	2206
D2	Overall Height	2300
D3	Clear Opening Width	2006
D4	Clear Opening Height	2090
D5	Endplate Width	160
D6	Endplate Height	160
Powder Coating		
RAL	TBC	

Required	
Key Switch	1
Emergency Retract Button	TBC
Beam Sensor	TBC
Audio Visual Sensor	TBC
Timer Relay	TBC
Smoke Detector	TBC
Heat Detector	TBC
Alarm Relay Base	TBC
Delay / Split Drop	TBC
Auto Reset	TBC
Smoke Seals	TBC

UNLESS OTHERWISE SPECIFIED: DIMENSIONS ARE IN MILLIMETERS SURFACE FINISH: TOLERANCES: LINEAR: ANGULAR:				DEBUR AND BREAK SHARP EDGES		DO NOT SCALE DRAWING		REVISION	
DRAWN A Duffew				SIGNATURE		DATE 06/12/2017		THESE DRAWINGS AND SPECIFICATIONS ARE THE PROPERTY OF SMOKE & FIRE CURTAINS LTD AND SHALL NOT BE REPRODUCED OR COPIED OR USED AS THE BASIS FOR THE MANUFACTURE OR SALES OF APPARATUS WITHOUT PERMISSION FireCurtains Global Fire Control Solutions Smoke & Fire Curtains Ltd 9 Brook Street, Syston, Leicester, LE17 1GD t: + 44 (0)116 352 7223 f: + 44 (0)116 269 2806 e: enquiries@firecurtains.net w: www.firecurtainsltd.com	
CHK'D				APPV'D		MFG		Q.A	
MATERIAL: Zintec				DWG NO. SFC2156		TITLE: Q13873 GFS Fire Curtain 1 2206 x 2300		A3	
WEIGHT:				SCALE:		SHEET 1 OF 1			