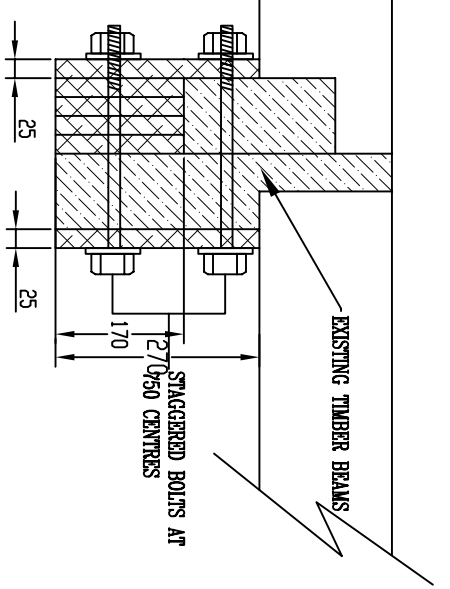


NOTE:
ALL DIMENSIONS ARE TO BE CHECKED ON SITE
DO NOT SCALE FROM THIS DRAWING

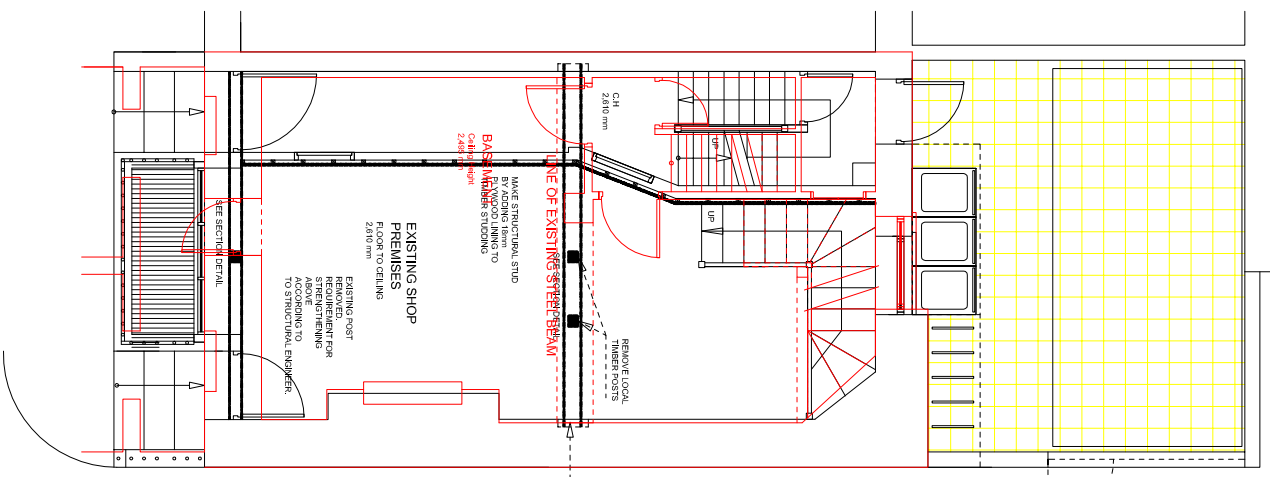
25mm THICK WBP PLYWOOD STRIPS WITH STAGGERED JOINTS IN THE LENGTH FULLY GLUED TOGETHER TO MAKE PACKER AND LINED BOTH SIDES WITH 25mm THICK WBP PLYWOOD LINER ALL GULLED AND BOLTED THROUGH WITH 12mm DIA BOLT WITH WASHER AND NUT AT MAXIMUM 750mm CENTRES IN LENGTH - PLYWOOD EXTENDED INTO WALLS EACH END MIN 100mm SUPPORTED AND SPAN BY STRUCTURAL STUD PARTITION



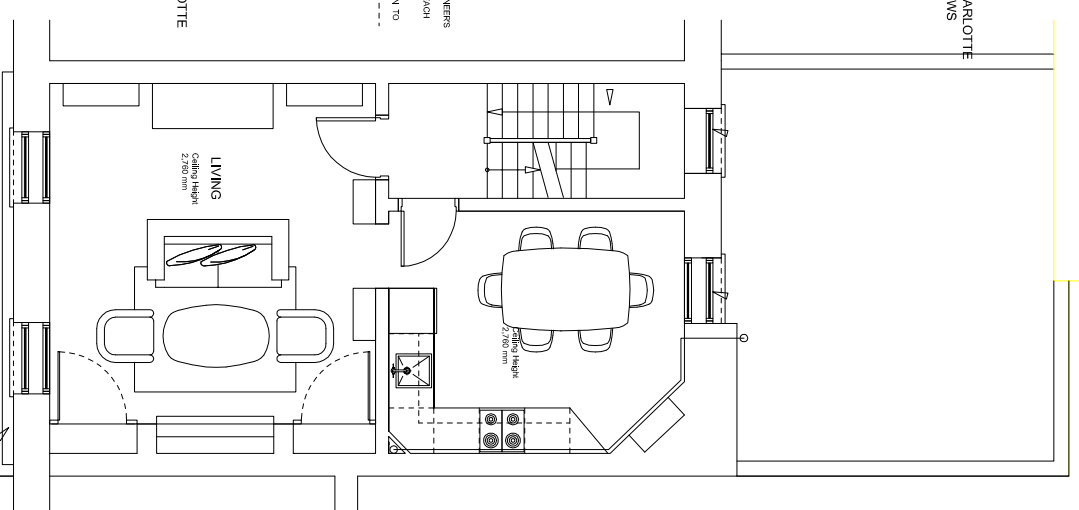
1:10

DETAIL THROUGH BEAM

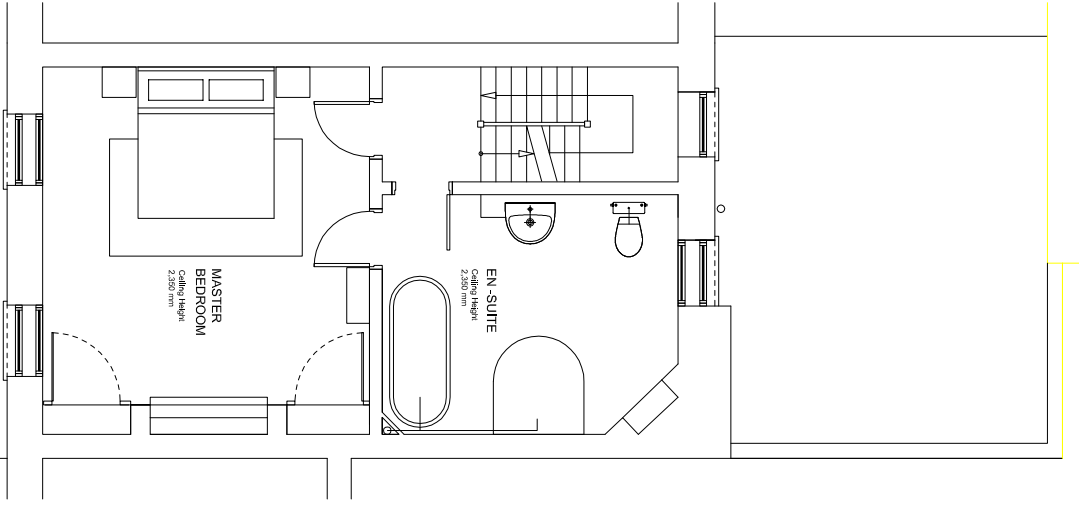
GROUND FLOOR
BASEMENT SHOWN
RED BELOW



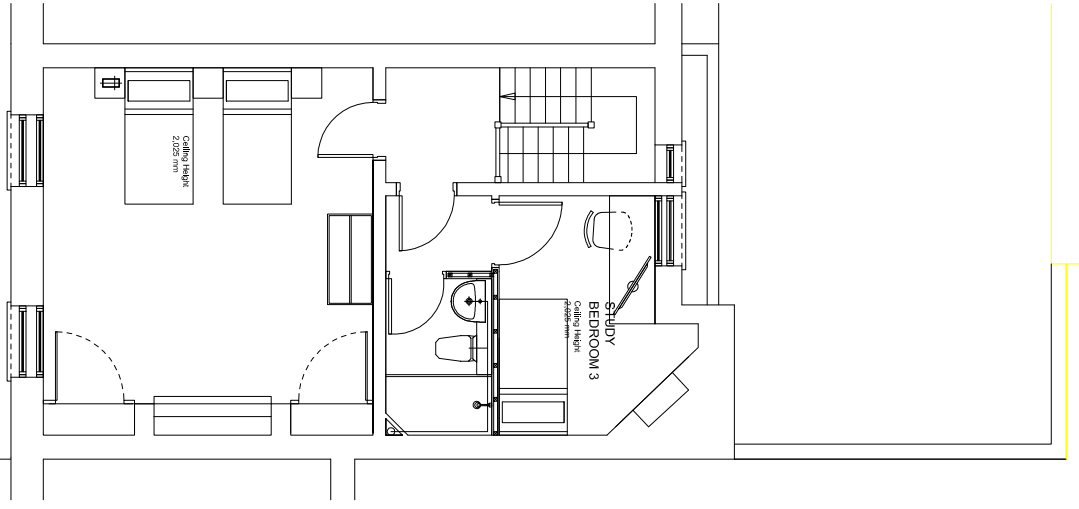
FIRST FLOOR



SECOND FLOOR



THIRD FLOOR



© Copyright

DAVID R DAVIES
(Consulting & Architectural Engineers) Ltd

23, CHARLTON RISE
LUDLOW
SHROPSHIRE
Tel: 01584 874717
Fax: 01584 875991
WWW.DAVIESCONSULTANTS.COM



ARCHITECTURAL
MECHANICAL
ELECTRICAL
CIVIL & STRUCTURAL
DESIGN ENGINEERS



Client
NEVIS INVESTMENTS

Job Title
28 TOTTENHAM STREET
FITZROYIA
LONDON
W1T 4RH

Drawing Title
**CENTRAL TIMBER BEAM
REINFORCEMENT**

ORNDANCE SURVEY CROWN COPYRIGHT RESERVED
LICENCE NUMBER 100036309

Scale 1:100 1:10 @A3

Checked
Date DEC 2017
Approved
Drawn by D R DAVIES

Drg. No. 5710/01

Rev.