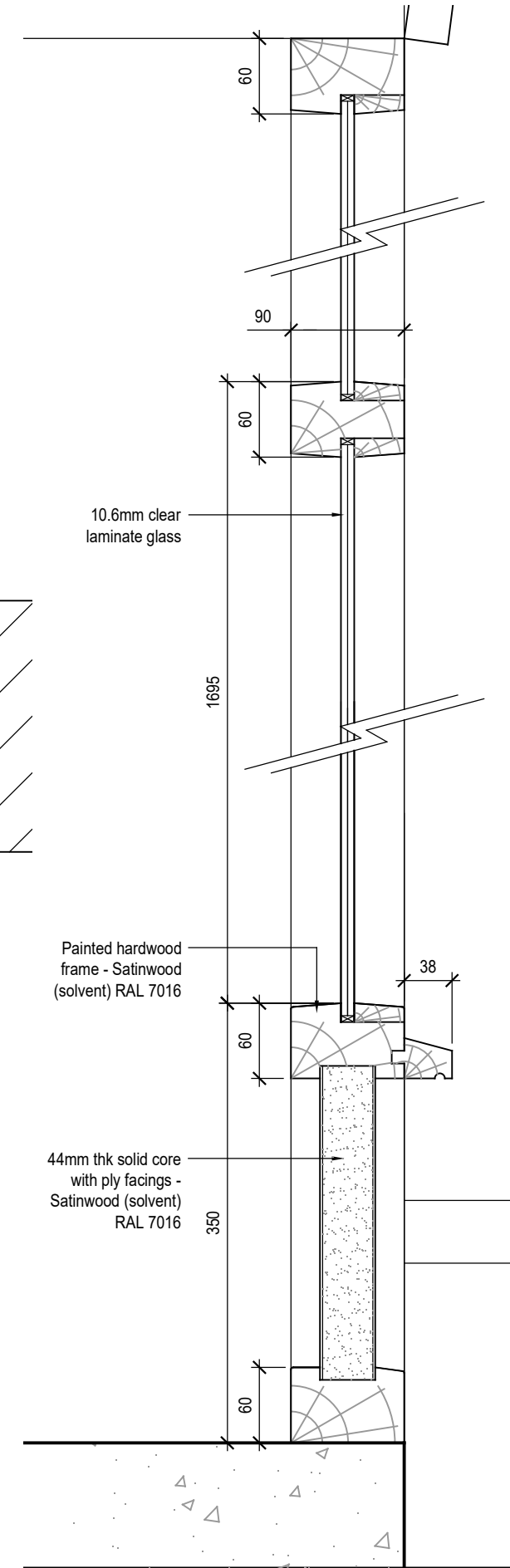


01 Section
1:5



01 Height Section
1:5

Notes

Rev.	Date	Notes
A	15.12.17	Glazing bead amended.

Chord.
 1st Floor Blenheim House
 1 Blenheim Road
 KT19 9AP
 T: 020 3397 1998
 W: www.chordlimited.co.uk

Project
 184 Finchley Road, NW3 6BP

Title
 Shopfront Details

Scale 1:5 @ A3	Drawn by MBR	Date 14-12-17
Drawing No. CH-209-28-G02	Rev. A	